

**WORD-LEVEL ABSTRACTIONS FOR SEQUENTIAL  
DESIGN VERIFICATION USING  
ALGEBRAIC GEOMETRY**

by  
Xiaojun Sun

A dissertation submitted to the faculty of  
The University of Utah  
in partial fulfillment of the requirements for the degree of

Doctor of Philosophy

Department of Electrical and Computer Engineering  
The University of Utah  
May 2017

Copyright © Xiaojun Sun 2017

All Rights Reserved

**The University of Utah Graduate School**

**STATEMENT OF DISSERTATION APPROVAL**

The dissertation of **Xiaojun Sun**  
has been approved by the following supervisory committee members:

<u><b>Priyank Kalla</b></u> ,	Chair(s)	<u><b>16 Dec 2016</b></u> Date Approved
<u><b>Ganesh Gopalakrishnan</b></u> ,	Member	<u><b>16 Dec 2016</b></u> Date Approved
<u><b>Chris J. Myers</b></u> ,	Member	<u><b>16 Dec 2016</b></u> Date Approved
<u><b>Kenneth S. Stevens</b></u> ,	Member	<u><b>16 Dec 2016</b></u> Date Approved
<u><b>Rongrong Chen</b></u> ,	Member	<u><b>16 Dec 2016</b></u> Date Approved

by **Gianluca Lazzi** , Chair/Dean of  
the Department/College/School of **Electrical and Computer Engineering**  
and by **David B. Kieda** , Dean of The Graduate School.

## ABSTRACT

Formal verification of hardware designs has become an essential component of the overall system design flow. The designs are generally modeled as finite state machines, on which property and equivalence checking problems are solved for verification. Reachability analysis forms the core of these techniques. However, increasing size and complexity of the circuits causes the state explosion problem. Abstraction is the key to tackling the scalability challenges.

This dissertation presents new techniques for word-level abstraction with applications in sequential design verification. By bundling together  $k$  bit-level state-variables into one word-level constraint expression, the state-space is construed as solutions (variety) to a set of polynomial constraints (ideal), modeled over the finite (Galois) field of  $2^k$  elements. Subsequently, techniques from algebraic geometry – notably, Gröbner basis theory and technology – are researched to perform reachability analysis and verification of sequential circuits. This approach adds a “word-level dimension” to state-space abstraction and verification to make the process more efficient.

While algebraic geometry provides powerful abstraction and reasoning capabilities, the algorithms exhibit high computational complexity. In the dissertation, we show that by analyzing the constraints, it is possible to obtain more insights about the polynomial ideals, which can be exploited to overcome the complexity. Using our algorithm design and implementations, we demonstrate how to perform reachability analysis of finite-state machines purely at the word level. Using this concept, we perform scalable verification of sequential arithmetic circuits. As contemporary approaches make use of resolution proofs and unsatisfiable cores for state-space abstraction, we introduce the algebraic geometry analog of unsatisfiable cores, and present algorithms to extract and refine unsatisfiable cores of polynomial ideals. Experiments are performed to demonstrate the efficacy of our approaches.

For my parents and Huizhong.

# CONTENTS

<b>ABSTRACT</b> .....	<b>iii</b>
<b>LIST OF FIGURES</b> .....	<b>viii</b>
<b>LIST OF TABLES</b> .....	<b>x</b>
<b>ACKNOWLEDGEMENTS</b> .....	<b>xi</b>
<b>CHAPTERS</b>	
<b>1. INTRODUCTION</b> .....	<b>1</b>
1.1 Hardware Design and Verification Overview .....	1
1.2 Formal Verification: Property and Equivalence Checking .....	2
1.3 Importance of Word-level Abstraction .....	5
1.4 Abstractions in Sequential Design Verification .....	6
1.5 Objective and Contribution of this Dissertation .....	7
1.5.1 Word-level Reachability Analysis of FSMs .....	8
1.5.2 Application to Sequential Galois Field Arithmetic Circuit Verification .....	9
1.5.3 UNSAT Cores in Algebraic Geometry .....	9
1.6 Dissertation Organization .....	9
<b>2. PREVIOUS WORK</b> .....	<b>11</b>
2.1 Sequential Equivalence Checking .....	11
2.1.1 Canonical Decision Diagrams .....	12
2.1.2 Combinational Equivalence Checking Techniques .....	14
2.2 Symbolic Model Checking and Abstraction Refinement .....	14
2.3 Word-level Techniques Applied to Sequential Circuit Synthesis and Validation .....	15
2.4 Verification Using Algebraic Geometry .....	16
2.5 Concluding Remarks .....	17
<b>3. FINITE FIELDS AND SEQUENTIAL ARITHMETIC CIRCUITS</b> .....	<b>18</b>
3.1 Commutative Algebra .....	18
3.1.1 Group, Ring and Field .....	18
3.1.2 Finite Field .....	20
3.2 Normal Basis Multiplier over Galois Field .....	24
3.2.1 Normal Basis .....	24
3.2.2 Multiplication Using Normal Basis .....	24
3.2.3 Comparison between Standard Basis and Normal Basis .....	29
3.3 Design of a Normal Basis Multiplier on Gate Level .....	31
3.3.1 Sequential Multiplier with Parallel Outputs .....	32
3.3.2 Multiplier Not Based on the $\lambda$ -Matrix .....	35
3.4 Concluding Remarks .....	40

<b>4.</b>	<b>GRÖBER BASES AND ALGEBRAIC GEOMETRY</b>	<b>41</b>
4.1	Algebraic Geometry Fundamentals	41
4.1.1	Monomials, Polynomials and Polynomial Algebra	41
4.1.2	Varieties and Ideals	45
4.1.3	Gröbner Bases	49
4.2	Hilbert’s Nullstellensatz	54
4.3	Elimination Theory and Application to Abstraction	56
4.3.1	Elimination Theory	56
4.3.2	Abstraction Using Nullstellensatz and Gröbner Basis	59
4.4	Concluding Remarks	63
<b>5.</b>	<b>WORD-LEVEL TRAVERSAL OF FINITE STATE MACHINES USING ALGEBRAIC GEOMETRY</b>	<b>64</b>
5.1	Motivation	65
5.1.1	FSM Traversal Algorithms	65
5.1.2	Word-Level Data Flow on Modern Datapath Designs	66
5.1.3	On the Existence of Word-Level Abstraction for Arbitrary Circuits	68
5.1.4	Significance of Developing Word-Level Reachability Analysis	71
5.2	FSM Reachability Using Algebraic Geometry	71
5.2.1	FSM Model for Sequential Circuits	71
5.2.2	Conventional Traversal Method	72
5.2.3	FSM Traversal at Word-Level over $\mathbb{F}_{2^k}$	74
5.3	Problem Setup and Formulation	77
5.3.1	Word-Level FSM Traversal Example	77
5.3.2	Significance of Using Algebraic Geometry and Gröbner Bases	80
5.4	Improving Our Approach	80
5.4.1	Simplifying the Gröbner Bases Computation	82
5.4.2	Primary Inputs Partitioning	85
5.5	Implementation of Word-Level FSM Traversal Algorithm	88
5.6	Experiment Results	90
5.7	Concluding Remarks	93
<b>6.</b>	<b>FUNCTIONAL VERIFICATION OF SEQUENTIAL NORMAL BASIS MULTIPLIERS</b>	<b>95</b>
6.1	Motivation	95
6.2	Formal Verification of Normal Basis Multipliers Using Gröbner Bases	97
6.2.1	Implicit Unrolling Based on Abstraction with ATO	97
6.2.2	Overcome Computational Complexity Using RATO	104
6.2.3	Solving a Linear System for Bit-to-Word Substitution	108
6.2.4	The Overall Verification Approach	109
6.3	Software Implementation of Implicit Unrolling Approach	110
6.4	Experiment Results	113
6.5	Concluding Remarks	115
<b>7.</b>	<b>FINDING UNSATISFIABLE CORES OF A SET OF POLYNOMIALS USING THE GRÖBNER BASIS ALGORITHM</b>	<b>117</b>

7.1	Motivation . . . . .	117
7.1.1	Preliminaries of SAT/UNSAT Theory . . . . .	117
7.1.2	Previous Work on CNF-UNSAT . . . . .	119
7.1.3	Exploiting UNSAT Cores for Abstraction Refinement . . . . .	120
7.2	UNSAT Cores of Polynomial Ideals . . . . .	123
7.2.1	An Example Motivating Our Approach . . . . .	123
7.2.2	The Refutation Tree of the GB Algorithm: Find $F_c$ from $F$ . . . . .	124
7.3	Reducing the Size of the UNSAT Core $F_c$ . . . . .	127
7.3.1	Identifying Redundant Polynomials from the Refutation Tree . . . . .	127
7.3.2	The GB-Core Algorithm Outline . . . . .	129
7.4	Iterative Refinement of the UNSAT Core . . . . .	131
7.5	Refining the UNSAT Core Using Syzygies . . . . .	133
7.6	Application to Abstraction Refinement . . . . .	136
7.7	Experiment Results . . . . .	138
7.8	Concluding Remarks . . . . .	141
<b>8.</b>	<b>CONCLUSIONS AND FUTURE WORK . . . . .</b>	<b>142</b>
8.1	Future Work . . . . .	143
8.1.1	Multivariate Polynomial Ideal Based FSM Traversal . . . . .	143
8.1.2	Use of the $F_4$ Algorithm and ZDDs to Accelerate GB Reduction . . . . .	145
8.1.3	Craig Interpolants in Algebraic Geometry . . . . .	147
8.1.4	Technology Mapping for Word-Level Functional Blocks . . . . .	149
<b>APPENDICES</b>		
<b>A.</b>	<b>NORMAL BASIS THEORY . . . . .</b>	<b>157</b>
<b>B.</b>	<b>OPTIMAL NORMAL BASIS . . . . .</b>	<b>168</b>
<b>REFERENCES . . . . .</b>		<b>173</b>



## LIST OF FIGURES

1.1	Typical hardware design flow.....	3
1.2	An example of equivalence checking on miter of circuit $A$ and $B$ using SAT. ....	4
2.1	The unrolling of a sequential circuit. ....	12
2.2	ROBDD representing Boolean function $\neg a \wedge b \wedge (c \vee d)$ with order $a > b > c > d$ ...	13
3.1	A typical SMSO structure of Massey-Omura multiplier. ....	33
3.2	5-bit Agnew's SMPO. Index $i$ satisfies $0 < i < 4$ , indices $u, v$ are determined by column # of nonzero entries in $i$ -th row of $\lambda$ -Matrix $M^{(0)}$ , i.e., if entry $M_{ij}^{(0)}$ is a nonzero entry, $u$ or $v$ equals to $i + j \pmod{5}$ . Index $w = 2i \pmod{5}$ . ....	34
3.3	A 5-bit RH-SMPO. ....	36
3.4	A $5 \times 5$ multiplication table. ....	39
4.1	An example of projection from $\mathbb{F}_q^3$ to $\mathbb{F}_q^2$ . ....	57
4.2	Galois field arithmetic circuit model for abstraction. ....	60
4.3	A 2-bit multiplier over $\mathbb{F}_{2^2}$ . ....	61
5.1	A 64-bit sequential multiplication hardware design. ....	67
5.2	Gate-level netlist for Lagrange's interpolation example. ....	69
5.3	FSM models of sequential circuits. ....	72
5.4	The example FSM and the gate-level implementation. ....	73
5.5	Projection of the variety of circuit description ideal. ....	81
5.6	PI partition of a sequential circuit. ....	86
5.7	Execution process of word-level FSM traversal tool. ....	89
5.8	Singular script for executing bit-to-word substitution and traversal loop. ....	91
5.9	The output given by our traversal tool. ....	92
6.1	A typical Moore machine and its state transition graph.....	96
6.2	Conventional verification techniques based on bit-level unrolling and equivalence checking. ....	97
6.3	Architecture of a combinational GF multiplier. ....	98
6.4	A typical normal basis GF sequential circuit model. $A = (a_0, \dots, a_{k-1})$ and similarly $B, R$ are $k$ -bit registers; $A', B', R'$ denote next-state inputs. ....	99
7.1	An example of Boolean satisfiability problem on circuits. ....	118

7.2	Abstraction by reducing latches. . . . .	121
7.3	DAG representing <i>Spoly</i> computations and multivariate divisions. . . . .	125
7.4	Generating refutation trees to record UNSAT cores. . . . .	126
7.5	Refutation trees of core refinement example. . . . .	132
7.6	Gate-level schematic of the example circuit. . . . .	137
7.7	State transition graph of example circuit. . . . .	137
7.8	State transition graph of abstracted machine. . . . .	139
8.1	A ZDD representing remainder polynomial reducing by a chain of OR gates with order $d > c > b > a$ . . . . .	146
8.2	Algebraic interpolant: projection of varieties on common variables. . . . .	150
8.3	The outline and flow of technology mapping of macro blocks. . . . .	150
8.4	An example gate-level netlist of a target sub-circuit to be mapped. “■” denotes a pin, which is the boundary for the mapper. . . . .	154
8.5	Candidate cell: a standard 2-bit adder with one possible input/output mapping. . . . .	155

## LIST OF TABLES

3.1	Addition and multiplication operations over $\mathbb{F}_2$ . . . . .	20
3.2	Bit-vector, Exponential and Polynomial representation of elements in $\mathbb{F}_{2^4} = \mathbb{F}_2[x]$ (mod $x^4 + x^3 + 1$ ). . . . .	22
5.1	Truth table for mappings in $\mathbb{B}^3$ and $\mathbb{F}_{2^3}$ . . . . .	70
5.2	Results of running benchmarks using our tool. Parts I to III denote the time taken by polynomial divisions, bit-level to word-level abstraction, and iterative reachability convergence checking part of our approach, respectively. . . . .	93
6.1	Runtime of Gröbner Basis Computation of Agnew’s SMPO in Singular using ATO >. . . . .	104
6.2	Run-time for verification of bug-free RH-SMPO circuits for SAT, ABC and BDD based methods. <i>TO</i> = timeout 14 hrs . . . . .	114
6.3	Similarity between RH-SMPO and Agnew’s SMPO . . . . .	114
6.4	Run-time (seconds) for verification of bug-free and buggy RH-SMPO with SINGULAR . . . . .	115
6.5	Run-time (seconds) for verification of bug-free and buggy Agnew’s SMPO with SINGULAR . . . . .	115
6.6	Run-time (seconds) for verification of RH-SMPO and Agnew’s SMPO using C++ implementation . . . . .	115
7.1	Mapping Boolean operators to functions over $\mathbb{F}_{2^k}$ . . . . .	119
7.2	Results of running benchmarks using our tool. Asterisk(*) denotes that the bench- mark was not translated from CNF. Our tool is composed of 3 parts: part I runs a single GB-core algorithm, part II applies the iterative refinement heuristic to run the GB-core algorithm iteratively, part III applies the syzygy heuristic. . . . .	140

## ACKNOWLEDGEMENTS

I was born in a small town in mid-inland-China. My grandpa, Shouli Sun, was the first man to educate me. He was so kind and patient, and his education was so successful that I could read 2,000 Chinese characters at the age of 3, when my grandpa passed away. With a good start, I became used to taking the first place in a variety of exams throughout elementary school, middle school, and high school. Peking university seemed to be the end of my personal progress in education, until I learnt that there is was way to continue my graduate study abroad, more specifically, in the US. So I would like to thank Dr. Fu, Mr. Qiu and Mr. Yang for providing such information and suggestions as my roommates at that time.

The beginning of my graduate school experience was not so wonderful. I got lost among the labs of the ECE department since there are too many directions and categories of research. Finally, I found out what I am really interested in after taking the lectures by my advisor, Prof. Priyank Kalla. He led the way towards designing a beautiful and powerful algorithm and applying it to the “mission impossible” – verifying a large circuit with 100% fault coverage. I would like to thank him for his valuable guidance, magnificent inspirations, and of course, his generous financial support, which allow me to carry out my research. Meanwhile, I would like to thank four professors serving as my supervisory committee members, for their kind help in assisting my research and coursework, as well as the review of this dissertation.

At last, I want to say thank you to the most important people in my life. My parents, Feng Sun and Qinghua Zhang, dedicate themselves to raising me in a happy family for 26 years. They also keep motivating me to pursue higher education and more achievements in schools and universities. My dear wife, Dr. Huizhong Li, has been my greatest support in the past 10 years. It is our precious time working together towards the same goal in the same university, and I will remember our life full of sweets and bitters in Salt Lake City forever.

# CHAPTER 1

## INTRODUCTION

### 1.1 Hardware Design and Verification Overview

During the past decades, the level of integration in modern VLSI systems is becoming higher and higher because of Moore's law. As a result, an entire system with billions of transistors can be built upon a single chip. The design process also evolves from manual design with little validation, to a formal 3-step procedure which requires collaboration of teams with large numbers of engineers. The 3 major steps are: 1) Design, which is to specify and enter the design intent; 2) Implement, which is to refine the design through various abstraction levels with the assistance of Computer-Aided-Design (CAD) tools; 3) Verify, which is to verify the correctness of design and implementation.

Nowadays the verification step is usually completed by a team that specializes in the testing, verification and validation of circuits. This step is also automated as an indispensable part of the CAD flow, when circuit synthesis is performed. Figure 1.1 shows the typical synthesis flow, which covers procedures starting from the register-transfer-level (RTL) description (using hardware design languages, i.e., HDL) to the physical design on silicon (depicted by the layout). The objective of verification in synthesis is to ensure the implementation is consistent with the original design intent. Verification is an important quality control measure before sending design layout to the VLSI foundries. Considering the high cost of fabrication, faults and errors in the design will bring considerable waste of funds for the designers. On the other hand, all aspects of the society increasingly depend on the stability and accuracy of digital VLSI circuits; even small flaws or short-time failures can cause huge loss, especially in medical applications, military facilities and financial systems. Therefore, it is of utmost importance to verify the correctness of VLSI designs.

One way to perform verification is by simulation, which is the collage of all circuit validation methods which apply stimulus on the inputs of circuit model and verify correctness of the outputs. However, simulation is not a complete solution to circuit verification problems. In modern designs with large number of logic components and complicated architectures, it is impractical to simulate all possible test vectors. Usually only test vectors that correspond to typical failures are selected

in simulation, which cannot cover unexpected failure patterns caused by special inputs. The notorious Intel FDIV bug [1] is a good example where simulation failed. Failure occurred with input assignments which were rarely used in most divisions. Because of the limitation of simulation, test engineers from Intel failed to detect the bug, which brought a roughly \$475 million-dollar recall bill for the company. Thus, new methods that can guarantee the correctness of the design need to be explored.

Another method developed besides simulation is *formal verification*, which utilizes mathematical theory to reason about the correctness of hardware designs. Formal verification can provide 100% fault coverage from two aspects. On the one hand, it adopts formal languages to strictly describe the design intent and detailed implementation, and deduces circuit function from the implementation. On the other hand, it formalizes properties for the circuit model which are relevant only to specific input signals and prove the properties mathematically. These descriptions are called *specifications*. Formal verification has two main forms: property checking and equivalence checking.

## 1.2 Formal Verification: Property and Equivalence Checking

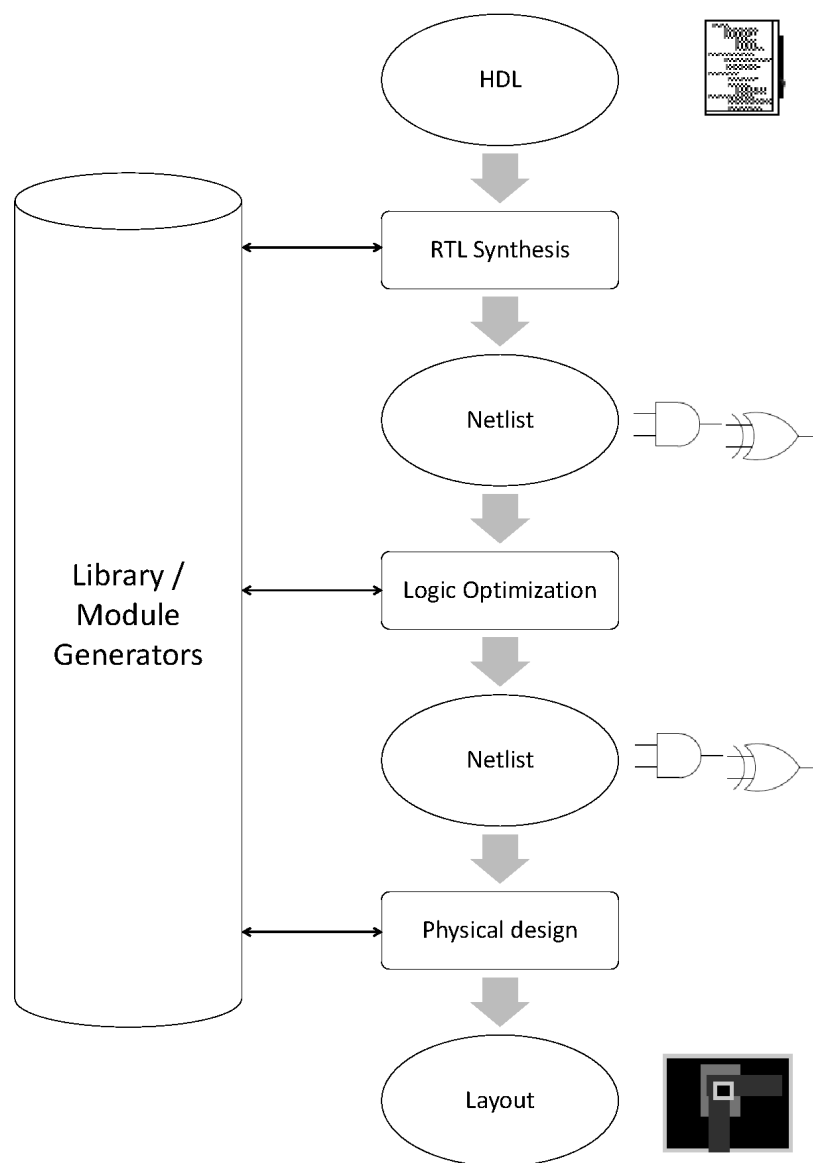
*Property checking* (or property verification) verifies that a design satisfies certain given properties. Property checking is done mainly in the form of theorem proving (TP), model checking (MC), or TP/MC hybrid approaches.

- 1) *Theorem proving* [2] is a method of reasoning and mathematical logic dealing with proving mathematical theorems. In the application to circuit property checking, the specification as well as the circuit implementation are described as theorems in mathematical logic. Subsequently, logic rules are employed to deduce new objective theorems. In practice, the tool can reduce a proof goal to simpler subgoals for automatic verification.
- 2) *Model checking* [3] is a technique for verifying if the specification properties are violated in finite-state systems. In the circuit verification domain, both the specification and the circuit implementation are modeled as a system of logic formulas. The finite-state system is then traversed to check if the properties are violated. If violation occurs, a counterexample is then generated as a transition firing path that corresponds to the false behavior in the design. Modern model checking techniques use the error-trace to automatically refine the system and perform further checking.

*Equivalence Checking* verifies that two different representations of a circuit design have equivalent functionality. It can be applied to multiple steps in the hardware design flow in Figure 1.1, such as checking functional equivalence between HDL description and RTL, checking RTL equivalence between RTL and synthesized/optimized netlist, and checking layout verification between netlist and layout for fabrication.

There are three major equivalence checking techniques: graph-based, satisfiability-based (SAT-based), and induction-based.

1) *Graph-based* techniques compare two circuit implementations by representing them using canon-

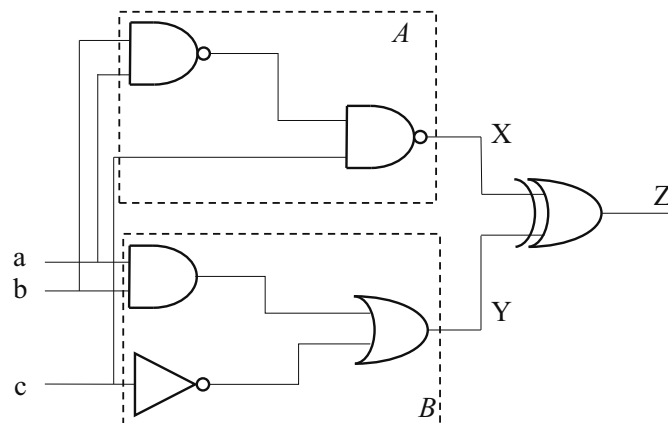


**Figure 1.1:** Typical hardware design flow.

ical graphs. The earliest invented canonical graph is the *Binary Decision Diagram* (BDD) [4]. Many variants branch out from BDDs; some widely used variants include ZDD [5], BMD [6], FDD [7], etc. The comparison algorithms can determine whether the two graphs are isomorphic. The canonicity of the graph representation guarantees that the graphs correspond to the two circuits will be equivalent if and only if the circuits implement the same function.

- 2) *Satisfiability* (SAT) techniques utilize the satisfiability theory. In circuit equivalence checking, a miter of the two circuits is created. A *miter* is a combination of the two circuits with one bit-level output, which gives output “1” only when the outputs of the circuits differ with the same inputs, e.g., inputs  $a, b, c$  shown in Figure 1.2. A SAT solver [8, 9] is then employed to simplify the problem and find a satisfying assignment to the inputs for which the miter output is “1”. If such an assignment exists, this solution acts as a counterexample to equivalence; otherwise the circuits are functionally equivalent.
- 3) *Induction-based* techniques are developed and applied to verify the equivalence between sequential circuits, which is called the *sequential equivalence checking* (SEC) problem. A miter model can also be built with two sequential circuits. Through the miter model, an SEC problem is transformed into a sequential backward justification problem. Equivalence of states and transitions between states can be proved using induction-based proof and fix-point calculation [10, 11].

Many formal verification techniques adopt concepts and algorithms from *computer-algebra* and *algebraic geometry*. Algebraic geometry provides a way to reason about the presence or



**Figure 1.2:** An example of equivalence checking on miter of circuit  $A$  and  $B$  using SAT.



absence of solutions without actually solving the system of constraints. Using methods in [12–16], the circuit design can be transformed into a polynomial system. Subsequently, this system of polynomials is canonicalized by computing a Gröbner basis (GB) [17]. Computation of GB allows for a straightforward proof of important properties of the polynomial system, such as the presence or absence of solutions. These properties can also be leveraged for verification. The disadvantage of the GB computation method is that its complexity can be doubly exponential in the worst case [18]. Thus, directly performing GB computation over an arbitrary setup is not practical for industry-level applications. However, recent breakthroughs in computer-algebra hardware verification have shown that it is possible to overcome the complexity of this computation while still utilizing the beneficial properties of GB [19, 20].

### 1.3 Importance of Word-level Abstraction

Most formal verification techniques can benefit from word-level abstractions of the circuits they verify. There are several advantages in exploiting word-level information for verification. A number of designs have their datapaths and/or system-level models described as word-level RTL models. Exploiting word-level instead of bit-level information is one way of abstraction – a key technique to reduce the state space of a sequential circuit. It has the effect of combining sets of states with similar properties. During reachability analysis, if we use bit-level variables to represent the states, the representations may become too large to handle. However, when a “bundle” of bit-level variables are represented as *only one word-level variable*, the set of reachable states can be represented by a word-level constraint expression; which may lower verification complexity.

Word-level abstractions have a wide variety of applications in formal verification. For example, they can work as automatic decision and canonical reduction engines in theorem proving; for RTL composed of macro blocks, abstractions of these blocks also benefit RTL verification. Concretely, MC and equivalence checking with abstractions can be classified as:

- Model checking with abstractions [21], where an overapproximation of RTL blocks is abstracted and used for property checking on a simplified model.
- Graph-based equivalence checking with abstraction [22, 23], where abstraction generates a word-level canonical graph representation of the circuit.
- SAT-based equivalence checking with abstraction [24], where abstractions are used to analyze

structural symmetries and similarities such that the Boolean formulas fed to the SAT solver are simplified.

Other equivalence checking techniques that employ abstractions include *satisfiability modulo theory* (SMT) solvers [25, 26], as well as constraint programming (CP) techniques [27, 28].

Word-level abstractions also find applications in RTL and datapath synthesis [29–31]. Since modern datapath design specifications are mostly word-level, synthesis tools with abstractions can make use of larger macro blocks to generate and optimize the datapaths. Moreover, word-level abstractions facilitate the use of uninterpreted functions (UFs) [32], which can be transformed into proposition formulas with word-level information and verified using word-level theorem provers and model checkers.

## 1.4 Abstractions in Sequential Design Verification

With the increasing size of integrated circuits, sequential circuit designers face complicated problems of design errors in specification models and implementations. These errors are usually modeled as “bad” states, and the circuits/functional components are modeled as finite-state machines (FSMs). Once state reachability is analyzed, the existence of errors can be identified by checking whether “bad” states are *reachable* from certain initial states. Temporal logic model checking formulations and solvers are often used for this purpose. Once the designs and specification models are validated using model checking, optimized implementations of sequential circuits are synthesized. Then there is a subsequent problem that needs to be solved: how to prove that the sequential circuit implementations are equivalent to the original specification models. This problem is called *Sequential Equivalence Checking* (SEC) problem. When the specification is given as an arithmetic function which canonically represents the circuit, then the problem becomes *functional verification* of sequential arithmetic circuits.

Reachability analysis forms the backbone of most sequential verification techniques. As the state-space of FSMs increases, reachability analysis forms a fundamental bottleneck in sequential verification. Contemporary approaches employ various techniques to overcome this state-explosion problem:

- 1) Bounded model checking [33] traverses the FSMs for a fixed number of steps  $k$  ( $k$ -BMC) to check whether a property violation can occur in  $k$  or fewer steps.

- 2) Analyze overapproximations (or *abstractions*) of the state-space. Abstraction proves properties on the system by first simplifying them, and when the abstraction does not satisfy the same properties as the original one, a process of refinement is needed. For example, counterexample guided abstraction refinement (CEGAR) [34] uses proofs of unsatisfiability (UNSAT cores) to refine the abstractions.
- 3) The recent breakthrough method of [35], where the set of overapproximations to forward reachable states are refined with inductive constraints – property directed reachability (PDR).

While the above techniques have made significant strides in sequential verification, numerous practical instances remain unsolved. One issue with all of the above techniques is that they mostly use bit-level constraints to model the transition relations and sets of states. Often, the designs are expressed at the level of bit-vector words (e.g., Matlab code, Verilog), and these word-level abstractions are rarely exploited in verification. The problem is further exacerbated when there are arithmetic operators on word-level operands embedded in the control logic. While attempts have been made towards word-level predicate abstraction [36–38], using a purely word-level representation of the state-space, the properties and their abstractions have not been fully explored as another dimension in improving sequential verification.

## 1.5 Objective and Contribution of this Dissertation

This research proposes a set of new, promising approaches for *word-level representation, reachability analysis and abstraction* for sequential design verification techniques. Our approaches operate at the word level and are based largely on concepts from *algebraic geometry*.

For word-level SEC, we are given two designs, or their corresponding Mealy/Moore FSMs  $\mathcal{M}_1, \mathcal{M}_2$ , along with their initial starting states  $S_0^1, S_0^2$ . We wish to prove the absence of a sequence of inputs (string) that distinguishes the initial states [39, 40]. Fundamentally, this requires the construction of a product machine; and the main research problem relates to that of performing *FSM traversal* [41] but at the word level. Analogously, in the case of MC, the problem is setup *w.r.t.* a FSM  $\mathcal{M}$ , a set of initial states  $S_0$  and a set of property states  $p$ . Techniques are to be researched that verify that there exists no sequence of transitions from an initial state to a nonproperty state (“bad” state). These problems have to be solved in the context of word-level verification – i.e., data representation, abstraction using UNSAT cores, and algorithm execution have to be carried out at

word level.

### 1.5.1 Word-level Reachability Analysis of FSMs

In this dissertation, we propose a method to perform reachability analysis at the word level. The given FSM is modeled as a system of polynomials over a finite field, where the state space is mapped to the solutions of the polynomial system. Our proposed algorithm utilizes ideal-variety correspondences in algebraic geometry. It also forms the foundation for word-level verification by enabling word-level abstraction of the state-space.

In this dissertation we represent the FSMs – the transition relations – by means of a set of multivariate polynomials with coefficients from the finite (Galois) field  $\mathbb{F}_{2^k}$  of  $2^k$  elements, i.e., polynomials in the ring  $\mathbb{F}_{2^k}[x_1, \dots, x_d]$ . Each state of a FSM is identified with a Boolean assignment to a set of  $k$ -bit state register variables  $S = \{s_0, \dots, s_{k-1}\}$ . Therefore, we can consider each ( $k$ -bit) state as a word-level element  $S$  of the finite field  $\mathbb{F}_{2^k}$ . Algorithms can directly operate on polynomials in word-level variable  $S$ .

Boolean functions with  $k$ -bit inputs and  $k$ -bit outputs  $f : \mathbb{B}^k \rightarrow \mathbb{B}^k, \mathbb{B} = \{0, 1\}$  can be construed as functions  $f : \mathbb{F}_{2^k} \rightarrow \mathbb{F}_{2^k}$ . It is well known that over the finite field ( $\mathbb{F}_q$ ) of  $q$  elements, every function  $f : \mathbb{F}_q \rightarrow \mathbb{F}_q$  is a polynomial function [42]. Moreover, there exists a unique canonical polynomial  $\mathcal{F}$  that describes  $f$ . This implies that one can derive a canonical, polynomial abstraction of the function as  $Z = \mathcal{F}(A)$  where  $Z, A$  are word-level symbols representing  $k$ -bit operands. The concept also generalizes to functions with different input/output bit-vector sizes, i.e., functions of the type  $f : \mathbb{B}^n \rightarrow \mathbb{B}^m$ , modeled as polynomials over  $f : \mathbb{F}_{2^k} \rightarrow \mathbb{F}_{2^k}$ , where  $k = LCM(n, m)$  [42]. *This implies that the FSM's transition relations can be represented as polynomial functions (ideals) in  $\mathbb{F}_{2^k}$ , and values of state variables can be represented as solutions to these polynomials (variety of the ideal).* Subsequently, the ideal-variety correspondences in algebraic geometry can be applied to implement symbolic reasoning about state reachability.

The decision and abstraction procedures in our setting will rely on the theory and technology of *Gröbner bases*. GB-based algebraic reasoning is very powerful – in fact it is known to be strictly stronger than resolution [43]. Therefore, in light of the above discussion, using concepts from algebraic geometry and Gröbner bases over  $\mathbb{F}_{2^k}$ , we can introduce another dimension of word-level abstraction to the techniques in sequential verification. This work was published at [44].

### 1.5.2 Application to Sequential Galois Field Arithmetic Circuit Verification

Sequential Galois field (GF) arithmetic circuits can be modeled as a special type of FSM, where the preloaded operands are mapped to initial states, and pseudo outputs after  $k$  clock-cycles are recognized as the final reached state after  $k$  transitions. Therefore, the word-level FSM traversal algorithm can be applied to verify the correctness of final reached state, i.e., the functional correctness of a sequential arithmetic circuit.

In our proposed approach, word-level abstraction is employed to generate, in every time-frame, the word-level signature of the combinational logic component of the sequential arithmetic circuit. This abstraction requires a GB computation, which usually has high time/space complexity. We propose several improvements to simplify the GB computation procedure and make the entire algorithm execution practical. As a result, we successfully verify sequential multipliers with 162-bit datapaths. This work was published at [45] and a journal paper is under preparation.

### 1.5.3 UNSAT Cores in Algebraic Geometry

Abstraction is an effective method to lower the cost to traverse the state space. In modern model checkers, abstraction is used to simplify and refine the model during the iterative execution of the tool. An UNSAT core is widely used as an important component of abstraction refinement. The reason is that UNSAT cores can provide information about the state variables that truly affect the property, and that information is necessary for the refinement process.

In this dissertation, we explore the concept, and the computation, of unsatisfiable (UNSAT) cores of a set of polynomials using the Gröbner bases algorithm. We also propose a number of heuristics that extend the Buchberger's algorithm to reduce the size of UNSAT core. We demonstrate the use of UNSAT core extraction to a bounded model checking instance with abstraction refinement. This work was published at [46].

## 1.6 Dissertation Organization

The rest of the dissertation is organized as follows: Chapter 2 reviews previous works and analyzes their drawbacks with respect to the word-level sequential verification problem. Chapter 3 covers preliminary concepts and notation on finite fields, and the methodology about design of arithmetic circuits in finite fields. Chapter 4 provides a theoretical background on algebraic geometry and Gröbner bases. Chapter 5 describes the basic concept of word-level FSM traversal

and introduces our proposed word-level FSM traversal algorithm. Chapter 6 explores the application of FSM traversal algorithm on functional verification of sequential GF arithmetic circuits. Chapter 7 describes algorithmic techniques to derive UNSAT cores of polynomial ideals. It also demonstrates with the help of an example how abstraction via UNSAT cores in algebraic geometry can simplify BMC. Chapter 8 outlines potential future research for continuation of this work and concludes the dissertation. An appendix provides theory and methodology on the characterization of finite-field normal basis, as well as the construction of optimal normal basis and application to normal basis multiplier design.

## CHAPTER 2

### PREVIOUS WORK

#### 2.1 Sequential Equivalence Checking

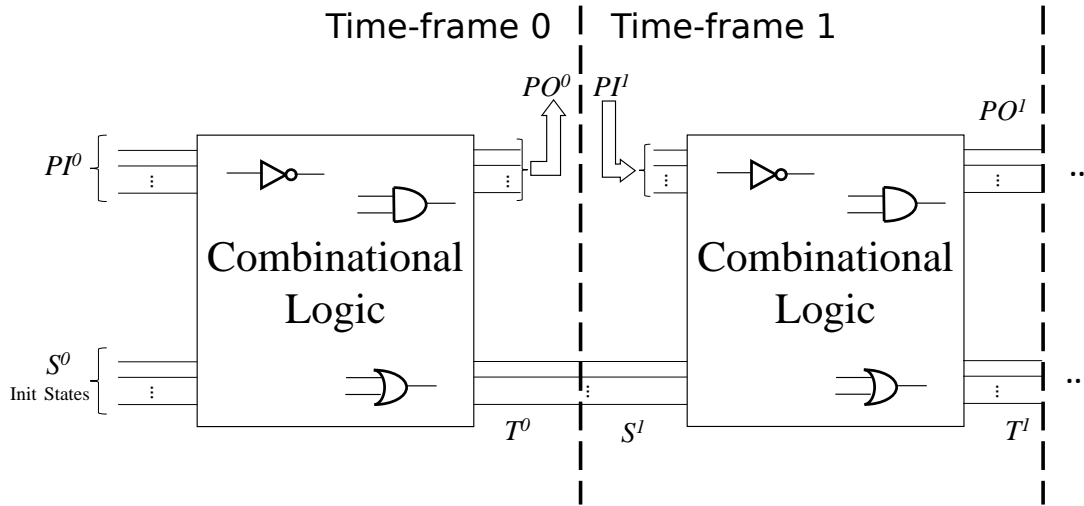
As an important component of formal verification for sequential circuits, SEC techniques have been developed over decades and widely utilized in both academia and industry. The specification of a sequential circuit can be modeled as a (golden model) state machine; SEC is performed to compare the functionality between the circuit for test and the golden one. One way to implement SEC is to create a miter with two circuits to be verified, then prove that there exists no sequence of inputs that generates different outputs.

Researchers proposed improvements by using Boolean functions to represent a set of states/-transitions [40, 47], or by dividing the sequential circuit into a smaller subcircuit and remodeling the FSM to conditional FSMs [48]. IBM created a toolset with interfaces that focuses on only the designated initial states and removes redundancies in state space [49].

Another direction to improve SEC algorithms is to avoid using state space traversal. The forward retiming method [50] and time-frame merging [11] all work on an array of time-frames, with the assistance of combinational equivalence checking (CEC) techniques. These techniques require structural similarities between the two circuits.

The most significant difference of sequential circuits from combinational circuits is that the outputs of the circuit depend not only on the primary inputs, but also on current state. The behavioral difference reflects on the structural design of circuits and in the existence of memory components such as latches and flip-flops. In order to test certain properties on some signals across multiple clock-cycles, the most straightforward method is to propagate those signals throughout all clock-cycles. Moreover, for formal verification, all signals on all paths from the circuit need to be propagated through multiple clock-cycles. This indicates a time-to-space conversion, where the combinational part of circuit is copied over several time-frames then connected together. The procedure is called *unrolling* of a sequential circuit, as Figure 2.1 shows.

Unrolling provides a way to transform a sequential circuit into a combinational circuit. There-



**Figure 2.1:** The unrolling of a sequential circuit.

fore, methods which can be applied to combinational circuit verification are also suitable for unrolled sequential circuits. The canonical graphical representation of the combinational circuit after unrolling is also the canonical representation of the original sequential circuit. For the sequential equivalence checking problem, we can also unroll the circuit to be verified and the specification to combinational ones, and then perform combinational equivalence checking techniques [51]. In the following part we review research and techniques which can be applied to unrolled sequential circuits.

### 2.1.1 Canonical Decision Diagrams

The decision diagrams (DDs) are optimized data structures which can significantly accelerate formal verification. The most fundamental DD is the Binary DD (BDD), which originates from the Shannon's expansion:

$$f(x, y, \dots) = xf_x + x'f_{x'} \quad (2.1)$$

where  $f_x = f(x = 1)$  and  $f_{x'} = f(x = 0)$  denote the positive and negative co-factors of  $f$  w.r.t.  $x$ , respectively. A BDD is usually represented as a binary tree. Its ordered and reduced form, the Reduced Ordered Binary Decision Diagram (ROBDD) [4], was the first significant contribution because of its canonicity. ROBDDs represent a Boolean function as an implicit set of points on a



canonical directed acyclic graph (DAG). Manipulation of Boolean functions can then be carried out as composition operations on their respective DAGs. An example of ROBDD is shown as Figure 2.2.

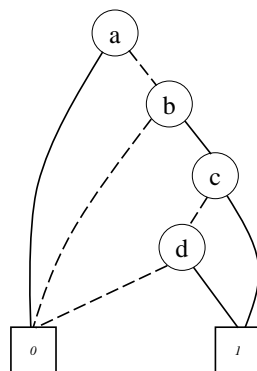
Following BDDs, variants of Shannon’s decomposition principle were explored to develop other functional decision diagrams such as FDDs [7], ADDs [52], MTBDDs [53], and their hybrid edge-valued counterparts, HDDs [54] and EVBDDs [55]. Zero-suppressed BDDs (ZDDs) [5, 56] use the if-then-else branches to represent the existence of variables in a cube, and result in lower space complexity. They can be used to represent polynomials with integer coefficients.

The DDs above are all based on bit-level operations. Even in the *Word-Level Decision Diagrams* [22], the decomposition is still point-wise, binary, w.r.t. each Boolean variable. These representations do not serve the purpose of word-level abstraction from bit-level representations.

Binary Moment Diagrams (BMDs) [6], and their derivatives K\*BMDs [57] and \*PHDDs [58], perform the decomposition of a *linear* function based on its two moments instead of relying on Boolean decomposition. MODDs [59, 60] are a DAG representation of the characteristic function of a circuit over Galois fields  $\mathbb{F}_{2^k}$ . However, MODDs fails to compactly represent large circuits.

Taylor Expansion Diagrams (TEDs) [61] are a word-level canonical representation of a *polynomial expression*, based on the Taylor’s series expansion of a polynomial. However, they do not represent a *polynomial function* canonically.

The use of DDs in traditional formal verification has a lot of advantages. For example, DD-based model checking is very efficient as long as the DDs of sequential circuit can be setup. The existence of violating states in constructed DDs immediately deduces the violation of property. However, when the design gets larger and larger, the time and space cost of building and storing the diagram



**Figure 2.2:** ROBDD representing Boolean function  $\neg a \wedge b \wedge (c \vee d)$  with order  $a > b > c > d$ .

increases rapidly. In our experiment of verifying a  $k$ -bit arithmetic circuit using ZDDs, when  $k$  is larger than 100, the construction of ZDDs occupies over 99% runtime of the whole procedure.

### 2.1.2 Combinational Equivalence Checking Techniques

The CEC problem can be solved using various methods. Besides using canonical DDs (BDDs [4] and their word-level variants [22]), noncanonical representations such as And-Invert-Graph-based (AIG-based) reductions [62, 63] are also very effective. Solvers for satisfiability problems (SAT) are good candidates to solve CEC problems, as long as the miter of two circuits can be described using conjunctive normal form (CNF) formulas. Applications of SAT on CEC include circuit-SAT solvers [8], etc. If the circuits being compared are structurally highly similar, AIG and circuit-SAT-based approaches are known to be efficient. However, when the circuits are functionally equivalent but structurally very dissimilar, none of the contemporary techniques, including quantifier-free bit-vector (QF-BV) theory-based SMT-solvers [64], offer a practical solution.

Recently integer polynomial based techniques [65, 66] have been proposed to verify the functional correctness of integer arithmetic circuits. Their approach formulates the output signature as a polynomial function with binary variables and integer coefficients, then rewrites the polynomial by substituting gate output with gate inputs. After going through the backward rewriting procedure, the polynomial will be composed by only input variables. Then the polynomial is converted to a canonical representation, and compared with a designated input signature. If they are equivalent, then the arithmetic circuit is successfully verified. This approach incurs polynomial term explosion during the backward rewriting. The authors proposed a heuristic to levelize the arithmetic circuit, and substitute several gates' variables at the same time to minimize the risk. However, the heuristic proved to be less effective when the inner symmetry of the circuit structure is missing.

## 2.2 Symbolic Model Checking and Abstraction Refinement

Model checking is a way to verify certain safety and liveness properties in sequential circuits. Symbolic model checking, which avoids using explicit state encoding, provides more flexibility to reduce the state space and enhance the efficiency of model checkers. The implementations of symbolic model checking require canonical DDs or SAT solvers [67–69].

Abstraction is a technique to reduce the state space representation by combining states with similar characteristics. Sometimes it can effectively lower the number of states that require analysis

by orders of magnitude, without affecting the properties we need to verify. Model checkers then utilize abstracted models with interpolation [37, 70]. At first, abstraction was done manually by designers. Clarke *et al.* [71] proposed a BDD-based automated abstraction by removing spurious paths from analysis of counterexamples. Zhang *et al.* [72] proposed another abstraction method based on CNF-SAT. It implemented latch abstraction by removing "irrelevant" latches by analyzing the UNSAT core from the  $k$ -BMC. Jain *et al.* [36] improved the abstraction refinement technique of [71], where they use CNF-SAT to perform the refinement instead of using BDDs. The new approach is applied to verify RTL Verilog and was known to be successful.

The  $k$ -BMC with interpolation is a purely incremental model-checking approach, and the interpolation procedure relies on UNSAT core analysis. To overcome these weaknesses, a hybrid model checker called IC3 is developed [35, 73]. IC3 works incrementally to find inductive subclauses of negations of reached states, meanwhile it is monolithic when computing overapproximations to sets of reachable states within  $1, 2, \dots, k$  steps. It is proved to be more efficient than interpolation-based model checking, although using similar mechanisms.

The above techniques have limitations: they all rely on bit-level information from the circuit, which prevents them from being applied to circuits with large datapaths. Meanwhile, their implementation relies on SAT/BDDs, which is an extension of Boolean functions and not compatible with other forms of constraints.

### 2.3 Word-level Techniques Applied to Sequential Circuit Synthesis and Validation

To better verify word-level designs, word-level verification techniques have been explored in recent years. Directly translating bit-vector problems to bit-level problems is called *bit-blasting*, and usually brings high redundancy and computational complexity in verification. Attempts to develop pure word-level techniques can be found in the rich domain of theorem proving [23] and bit-vector SMT-solvers [25, 74–76], automated decision procedures for Presburger arithmetic [77, 78], algebraic manipulation techniques [79], or the ones based on term rewriting [80], etc.

Polynomial, integer, and other nonlinear representations have also been researched: Difference Decision Diagrams (DDD) [81, 82], interval diagrams [83], interval analysis using polynomials [84], *etc.* Most of these have found application in constraint satisfaction for simulation-based validation: [24, 76, 85–88]. Among these, [76, 87, 88] have been used to *solve* integer modular arithmetic

on linear expressions – a different application from *representing* finite field modulo-arithmetic on polynomials in a canonical form.

Uninterpreted function abstraction is also an important category of word-level techniques which facilitates word-level model checking. Usually uninterpreted symbols have no notion of bit-vector-precision. However, these techniques constrain them using functional consistency among the evaluations of word variables [32, 89, 90].

## 2.4 Verification Using Algebraic Geometry

Symbolic computer algebra techniques have been employed for formal verification of circuits over  $\mathbb{Z}_{2^k}$  and also over Galois fields  $\mathbb{F}_{2^k}$ . Verification techniques using Gröbner bases [12, 14, 91] are proposed, but they do not address the problem of high computational complexity to compute Gröbner bases.

Verification of a combinational Galois field arithmetic circuit  $C$  against a polynomial specification  $\mathcal{F}$  has been previously addressed [92–94]. Verification problems in [92, 93] are formulated using Nullstellensatz and decided using the Gröbner basis algorithm.

The paper [94] performs verification by deriving a canonical word-level polynomial representation  $\mathcal{F}$  from the circuit  $C$ . Their approach views any arbitrary Boolean function (circuit)  $f : \mathbb{B}^k \rightarrow \mathbb{B}^k$  as a polynomial function  $f : \mathbb{F}_{2^k} \rightarrow \mathbb{F}_{2^k}$ , and derives a canonical polynomial representation  $\mathcal{F}$  over  $\mathbb{F}_{2^k}$ . They show that this can be achieved by computing a reduced Gröbner basis *w.r.t.* an *abstraction term order* derived from the circuit. Subsequently, they propose a refinement of this *abstraction term order* (called RATO) that enables them to compute the Gröbner basis of a smaller subset of polynomials. The authors show that their approach can prove the correctness of up to 571-bit combinational GF multipliers.

IBM proposed a method to apply algebraic geometry techniques to verifying error coding circuits [95]. Recent papers [66, 96] provide a way to utilize algebraic geometry and GB-based symbolic computing and perform equivalence checking on integer arithmetic circuits and floating-point arithmetic circuits, respectively.

The use of algebraic geometry for sequential circuit verification and symbolic model checking has been presented before. Avrunin presented the concept of symbolic MC using algebraic geometry in [12]. Later, in [97], Vardi presented GB-algorithms for CTL, LTL, and bounded MC over Boolean rings. However, these approaches are a straightforward transformation of the problem to *bit-level*

Boolean GB engines which are used in lieu of BDDs or SAT solvers. All the concepts of word-level reachability, abstraction-refinement using interpolation or UNSAT cores, etc., that we desire were not the focus of [12,97].

## 2.5 Concluding Remarks

From the investigation of previous work, techniques are to be researched that can perform the FSM traversal at word level to verify a property excluding spurious faults. Meanwhile, many abstraction refinement techniques utilize information from UNSAT cores. We propose to solve these problems in the context of word-level verification, with data representation, abstraction, and algorithm execution all carried out at word level.

In this dissertation, we propose a purely word-level reachability analysis approach, which has never been done before. We achieve this by modeling the transition relations, states and the traversal algorithm at word level. We borrow inspirations from [20,98] to perform state space abstraction. Moreover, we demonstrate applications of our proposed approach to sequential arithmetic verification, which has not been done before, either. Finally, we show algebraic geometry analogs of UNSAT cores of polynomial ideals, and describe algorithms to extract and refine these cores.

## CHAPTER 3

# FINITE FIELDS AND SEQUENTIAL ARITHMETIC CIRCUITS

This chapter provides a mathematical background for understanding finite fields (Galois fields) and explains how to design Galois field (GF) arithmetic circuits. We first introduce the mathematical concepts of groups, rings, fields, and polynomials. We then apply these concepts to create Galois field arithmetic functions and explain how to map them to a Boolean circuit implementation. Additionally, we introduce a special type of sequential arithmetic hardware based on normal basis, as well as the normal basis theory behind designing such hardware.

The material is taken from [42,99,100] for Galois field concepts, [101–105] for hardware design over Galois fields, and previous work by Lv [19]. Normal basis theory in this section is referred from [106,107], and sequential normal basis arithmetic hardware designs come from [108–111].

### 3.1 Commutative Algebra

#### 3.1.1 Group, Ring and Field

**Definition 3.1.** *An Abelian group is a set  $\mathbb{S}$  with a binary operation  $+$  which satisfies the following properties:*

- *Closure Law: For every  $a, b \in \mathbb{S}$ ,  $a + b \in \mathbb{S}$*
- *Associative Law: For every  $a, b, c \in \mathbb{S}$ ,  $(a + b) + c = a + (b + c)$*
- *Commutativity: For every  $a, b \in \mathbb{S}$ ,  $a + b = b + a$ .*
- *Additive Identity: There is an identity element  $0 \in \mathbb{S}$  such that for all  $a \in \mathbb{S}$ ;  $a + 0 = a$ .*
- *Additive Inverse: If  $a \in \mathbb{S}$ , then there is an element  $a^{-1} \in \mathbb{S}$  such that  $a + a^{-1} = 0$ .*

The set of integers  $\mathbb{Z}$  forms an Abelian group under the addition operation.

**Definition 3.2.** Given a set  $\mathbb{R}$  with two binary operations, '+' and '.', and element  $0 \in \mathbb{R}$ , the system  $\mathbb{R}$  is called a **commutative ring with unity** if the following properties hold:

- $\mathbb{R}$  forms an Abelian group under the '+' operation with additive identity element 0.
- **Multiplicative Distributive Law:** For all  $a, b, c \in \mathbb{R}$ ,  $a \cdot (b + c) = a \cdot b + a \cdot c$ .
- **Multiplicative Associative Law:** For every  $a, b, c \in \mathbb{R}$ ,  $a \cdot (b \cdot c) = (a \cdot b) \cdot c$ .
- **Multiplicative Commutative Law:** For every  $a, b \in \mathbb{R}$ ,  $a \cdot b = b \cdot a$
- **Identity Element:** There exists an element  $1 \in \mathbb{R}$  such that for all  $a \in \mathbb{R}$ ,  $a \cdot 1 = a = 1 \cdot a$

**Ring** is a broad algebraic concept. In this dissertation, this word is used to refer a special sort of ring – **commutative ring with unity**. Two common examples of such rings are the set of integers,  $\mathbb{Z}$ , and the set of rational numbers,  $\mathbb{Q}$ . While both of these examples are rings with an infinite number of elements, the number of elements in a ring can also be finite, such as the ring of integers modulo  $n$  ( $\mathbb{Z}_n$ ).

**Definition 3.3.** A **field**  $\mathbb{F}$  is a commutative ring with unity, where every nonzero element in  $\mathbb{F}$  has a multiplicative inverse; i.e.,  $\forall a \in \mathbb{F} - \{0\}, \exists \hat{a} \in \mathbb{F}$  such that  $a \cdot \hat{a} = 1$ .

A field is defined as a ring with one extra condition: the presence of a multiplicative inverse for all nonzero elements. Therefore, a field must be a ring while a ring is not necessarily a field. For example, the set  $\mathbb{Z}_{2^k} = \{0, 1, \dots, 2^k - 1\}$  forms a finite ring. However,  $\mathbb{Z}_{2^k}$  is not a field because not every element in  $\mathbb{Z}_{2^k}$  has a multiplicative inverse. In the ring  $\mathbb{Z}_{2^3}$ , for instance, the element 5 has an inverse ( $5 \cdot 5 \pmod{8} = 1$ ) but the element 4 does not.

An important concept in field theory is **field extension**. The idea behind a field extension is to take a base field and construct a larger field which contains the base field as well as satisfying additional properties. For example, the set of real numbers  $\mathbb{R}$  forms a field; one extension of  $\mathbb{R}$  is the set of complex numbers  $\mathbb{C} = \mathbb{R}(i)$ . Every element of  $\mathbb{C}$  can be represented as  $a + b \cdot i$  where  $a, b \in \mathbb{R}$ , hence  $\mathbb{C}$  is a two-dimensional extension of  $\mathbb{R}$ .

Like rings, fields can also contain either an infinite or a finite number of elements. In this dissertation we focus on finite fields – also known as Galois fields, the construction of their field extensions, and their applications on circuit verification and abstraction techniques.

### 3.1.2 Finite Field

Finite fields find widespread applications in many areas of electrical engineering and computer science such as error-correcting codes, elliptic curve cryptography, digital signal processing, testing of VLSI circuits, among others. In this dissertation, we specifically focus on their application to the FSM traversal of sequential Galois field circuits as well as abstraction refinement based on UNSAT core extraction. This section describes the relevant Galois field concepts [42, 99, 100] and hardware arithmetic designs over such fields [101–105].

**Definition 3.4.** A **Galois field**, denote  $\mathbb{F}_q$ , is a field with a finite number of elements,  $q$ . The number of elements  $q$  of the field is a power of a prime integer, i.e.,  $q = p^k$ , where  $p$  is a prime integer, and  $k \geq 1$ . Thus a Galois field can also be denoted as  $\mathbb{F}_{p^k}$ .

Fields of the form  $\mathbb{F}_{p^k}$  are called Galois extension fields. We are specifically interested in extension fields of type  $\mathbb{F}_{2^k}$ , where  $k > 1$ , because they are extensions of the binary field  $\mathbb{F}_2$ . Elements and operators in  $\mathbb{F}_2$  can be mapped to Boolean values and Boolean operators, as Table 3.1 shows. Notice that addition over  $\mathbb{F}_2$  is a Boolean XOR operation, because it is performed modulo 2. Similarly, multiplication over  $\mathbb{F}_2$  performs a Boolean AND operation.

Algebraic extensions of the binary field  $\mathbb{F}_2$  are generally termed *binary extension fields*  $\mathbb{F}_{2^k}$ . Where elements in  $\mathbb{F}_2$  can only represent 1 bit, elements in  $\mathbb{F}_{2^k}$  represent a  $k$ -bit vector. This allows them to be widely used in digital hardware applications. In order to construct a Galois field of the form  $\mathbb{F}_{2^k}$ , an **irreducible polynomial** is required:

**Definition 3.5.** A polynomial  $P(x) \in \mathbb{F}_2[x]$ , i.e., the set of all polynomials in  $x$  with coefficients in  $\mathbb{F}_2$ , is **irreducible** if  $P(x)$  is nonconstant with degree  $k$  and cannot be factored into a product of polynomials of lower degree in  $\mathbb{F}_2[x]$ .

Therefore, the polynomial  $P(x)$  with degree  $k$  is irreducible over  $\mathbb{F}_2$  if and only if it has no roots

**Table 3.1:** Addition and multiplication operations over  $\mathbb{F}_2$ .

+	0	1
0	0	1
1	1	0

Addition over  $\mathbb{F}_2$

·	0	1
0	0	0
1	0	1

Multiplication over  $\mathbb{F}_2$



in  $\mathbb{F}_2$ , i.e., if  $\forall a \in \mathbb{F}_2, P(a) \neq 0$ . For example,  $x^2 + x + 1$  is an irreducible polynomial over  $\mathbb{F}_2$  because it has no solutions in  $\mathbb{F}_2$ , i.e.,  $(0)^2 + (0) + 1 = 1 \neq 0$  and  $(1)^2 + (1) + 1 = 1 \neq 0$  over  $\mathbb{F}_2$ . Irreducible polynomials exist for any degree  $\geq 2$  in  $\mathbb{F}_2[x]$ .

Given an irreducible polynomial  $P(x)$  of degree  $k$  in the polynomial ring  $\mathbb{F}_2[x]$ , we can construct a binary extension field  $\mathbb{F}_{2^k} \equiv \mathbb{F}_2[x] \pmod{P(x)}$ . Let  $\alpha$  be a root of  $P(x)$ , i.e.,  $P(\alpha) = 0$ . Since  $P(x)$  is irreducible over  $\mathbb{F}_2[x]$ ,  $\alpha \notin \mathbb{F}_2$ . Instead,  $\alpha$  is an element in  $\mathbb{F}_{2^k}$ . Any element  $A \in \mathbb{F}_{2^k}$  is then represented as:

$$A = \sum_{i=0}^{k-1} (a_i \cdot \alpha^i) = a_0 + a_1 \cdot \alpha + \cdots + a_{k-1} \cdot \alpha^{k-1}$$

where  $a_i \in \mathbb{F}_2$  are the coefficients and  $P(\alpha) = 0$ .

To better understand this field extension, compare its similarities to another commonplace field extension  $\mathbb{C}$ , the set of complex numbers.  $\mathbb{C}$  is an extension of the field of real numbers  $\mathbb{R}$  with an additional element  $i = \sqrt{-1}$ , which is an imaginary root in the algebraic closure of  $\mathbb{R}$  – the closure is known as the field of complex numbers  $\mathbb{C}$ . Thus  $i \notin \mathbb{R}$ , rather  $i \in \mathbb{C}$ . Every element  $A \in \mathbb{C}$  can be represented as:

$$A = \sum_{j=0}^1 (a_j \cdot i^j) = a_0 + a_1 \cdot i \quad (3.1)$$

where  $a_j \in \mathbb{R}$  are coefficients. Similarly,  $\mathbb{F}_{2^k}$  is an extension of  $\mathbb{F}_2$  with an additional element  $\alpha$ , which is the “imaginary root” of an irreducible polynomial  $P$  in  $\mathbb{F}_2[x]$ .

Every element  $A \in \mathbb{F}_{2^k}$  has a degree less than  $k$  because  $A$  is always computed modulo  $P(x)$ , which has degree  $k$ . Thus,  $A \pmod{P(x)}$  can be of degree at most  $k - 1$  and at least 0. For this reason, the field  $\mathbb{F}_{2^k}$  can be viewed as a  $k$  dimensional vector space over  $\mathbb{F}_2$ . The equivalent bit vector representation for element  $A$  is:

$$A = (a_{k-1} a_{k-2} \cdots a_0) \quad (3.2)$$

**Example 3.1.** A 4-bit Boolean vector,  $(a_3 a_2 a_1 a_0)$  can be presented over  $\mathbb{F}_{2^4}$  as:

$$a_3 \cdot \alpha^3 + a_2 \cdot \alpha^2 + a_1 \cdot \alpha + a_0 \quad (3.3)$$

For instance, the Boolean vector 1011 is represented as the element  $\alpha^3 + \alpha + 1$ .

**Example 3.2.** Let us construct  $\mathbb{F}_{2^4}$  as  $\mathbb{F}_2[x] \pmod{P(x)}$ , where  $P(x) = x^4 + x^3 + 1 \in \mathbb{F}_2[x]$  is an irreducible polynomial of degree  $k = 4$ . Let  $\alpha$  be the root of  $P(x)$ , i.e.,  $P(\alpha) = 0$ .

Any element  $A \in \mathbb{F}_2[x] \pmod{x^4 + x^3 + 1}$  has a representation of the type:  $A = a_3x^3 + a_2x^2 + a_1x + a_0$  (degree  $< 4$ ) where the coefficients  $a_3, \dots, a_0$  are in  $\mathbb{F}_2 = \{0, 1\}$ . Since there are only 16 such polynomials, we obtain 16 elements in the field  $\mathbb{F}_{2^4}$ . Each element in  $\mathbb{F}_{2^4}$  can then be viewed as a 4-bit vector over  $\mathbb{F}_2$ . Each element also has an exponential  $\alpha$  representation. All three representations are shown in Table 3.2.

We can compute the polynomial representation from the exponential representation. Since every element is computed  $\pmod{P(\alpha)} = \pmod{\alpha^4 + \alpha^3 + 1}$ , we compute the element  $\alpha^4$  as

$$\alpha^4 \pmod{\alpha^4 + \alpha^3 + 1} = -\alpha^3 - 1 = \alpha^3 + 1 \quad (3.4)$$

Recall that all coefficients of  $\mathbb{F}_{2^4}$  are in  $\mathbb{F}_2$  where  $-1 = +1$  modulo 2. The next element  $\alpha^5$  can be computed as

$$\alpha^5 = \alpha^4 \cdot \alpha = (\alpha^3 + 1) \cdot \alpha = \alpha^4 + \alpha = \alpha^3 + \alpha + 1 \quad (3.5)$$

Then  $\alpha^6$  can be computed as  $\alpha^5 * \alpha$  and so on.

An irreducible polynomial can also be a primitive polynomial.

**Definition 3.6.** A **primitive polynomial**  $P(x)$  is a polynomial with coefficients in  $\mathbb{F}_2$  which has a root  $\alpha \in \mathbb{F}_{2^k}$  such that  $\{0, 1(= \alpha^{2^k-1}), \alpha, \alpha^2, \dots, \alpha^{2^k-2}\}$  is the set of all elements in  $\mathbb{F}_{2^k}$ . Here  $\alpha$  is called a **primitive element** of  $\mathbb{F}_{2^k}$ .

A primitive polynomial is guaranteed to generate all distinct elements of a finite field  $\mathbb{F}_{2^k}$  while an arbitrary irreducible polynomial has no such guarantee. Often, there exists more than one irreducible polynomial of degree  $k$ . In such cases, any degree  $k$  irreducible polynomial can be

**Table 3.2:** Bit-vector, Exponential and Polynomial representation of elements in  $\mathbb{F}_{2^4} = \mathbb{F}_2[x] \pmod{x^4 + x^3 + 1}$ .

$a_3a_2a_1a_0$	Exponential	Polynomial	$a_3a_2a_1a_0$	Exponential	Polynomial
0000	0	0	1000	$\alpha^3$	$\alpha^3$
0001	1	1	1001	$\alpha^4$	$\alpha^3 + 1$
0010	$\alpha$	$\alpha$	1010	$\alpha^{10}$	$\alpha^3 + \alpha$
0011	$\alpha^{12}$	$\alpha + 1$	1011	$\alpha^5$	$\alpha^3 + \alpha + 1$
0100	$\alpha^2$	$\alpha^2$	1100	$\alpha^{14}$	$\alpha^3 + \alpha^2$
0101	$\alpha^9$	$\alpha^2 + 1$	1101	$\alpha^{11}$	$\alpha^3 + \alpha^2 + 1$
0110	$\alpha^{13}$	$\alpha^2 + \alpha$	1110	$\alpha^8$	$\alpha^3 + \alpha^2 + \alpha$
0111	$\alpha^7$	$\alpha^2 + \alpha + 1$	1111	$\alpha^6$	$\alpha^3 + \alpha^2 + \alpha + 1$

used for field construction. For example, both  $x^3 + x + 1$  and  $x^3 + x^2 + 1$  are irreducible in  $\mathbb{F}_2$  and either one can be used to construct  $\mathbb{F}_{2^3}$ . This is due to the following:

**Theorem 3.1.** *There exist a **unique** field  $\mathbb{F}_{p^k}$ , for any prime  $p$  and any positive integer  $k$ .*

Theorem 3.1 implies that Galois fields with the same number of elements are **isomorphic** to each other up to the labeling of the elements.

Theorem 3.2 provides an important property for investigating solutions to polynomial equations in  $\mathbb{F}_q$ .

**Theorem 3.2.** [*Generalized Fermat's Little Theorem*] *Given a Galois field  $\mathbb{F}_q$ , each element  $A \in \mathbb{F}_q$  satisfies:*

$$\begin{aligned} A^q &\equiv A \\ A^q - A &\equiv 0 \end{aligned} \tag{3.6}$$

We can extend Theorem 3.2 to polynomials in  $\mathbb{F}_q[x]$  as follows:

**Definition 3.7.** *Let  $x^q - x$  be a polynomial in  $\mathbb{F}_q[x]$ . Every element  $A \in \mathbb{F}_q$  is a solution to  $x^q - x = 0$ . Therefore,  $x^q - x$  always vanishes in  $\mathbb{F}_q$ . Such polynomials are called **vanishing polynomials** of the field  $\mathbb{F}_q$ .*

**Example 3.3.** *Given  $\mathbb{F}_{2^2} = \{0, 1, \alpha, \alpha + 1\}$  with  $P(x) = x^2 + x + 1$ , where  $P(\alpha) = 0$ .*

$$\begin{aligned} 0^{2^2} &= 0 \\ 1^{2^2} &= 1 \\ \alpha^{2^2} &= \alpha \pmod{\alpha^2 + \alpha + 1} \\ (\alpha + 1)^{2^2} &= \alpha + 1 \pmod{\alpha^2 + \alpha + 1} \end{aligned}$$

A Galois field  $\mathbb{F}_q$  can be fully contained within a larger field  $\mathbb{F}_{q^k}$ . That is,  $\mathbb{F}_q \subset \mathbb{F}_{q^k}$ . For example, the containment relation of the fields  $\mathbb{F}_2 \subset \mathbb{F}_{2^k}$  is usually used to represent bit-level Boolean variables as field elements in larger finite field which allows projection of  $k$ -bit word-level variables. Concretely,  $\mathbb{F}_{16} = \mathbb{F}_{4^2} = \mathbb{F}_{2^4}$  contains  $\mathbb{F}_4$  and  $\mathbb{F}_2$ . The elements  $\{0, 1, \alpha, \dots, \alpha^{14}\}$  designate  $\mathbb{F}_{16}$ . Of these,  $\{0, 1, \alpha^5, \alpha^{10}\}$  create  $\mathbb{F}_4$ . From these, only  $\{0, 1\}$  exist in  $\mathbb{F}_2$ .

**Theorem 3.3.**  $\mathbb{F}_{2^n} \subset \mathbb{F}_{2^m}$  iff  $n \mid m$ , i.e., if  $n$  divides  $m$ .

Therefore:

- $\mathbb{F}_2 \subset \mathbb{F}_{2^2} \subset \mathbb{F}_{2^4} \subset \mathbb{F}_{2^8} \subset \dots$
- $\mathbb{F}_2 \subset \mathbb{F}_{2^3} \subset \mathbb{F}_{2^9} \subset \mathbb{F}_{2^{27}} \subset \dots$
- $\mathbb{F}_2 \subset \mathbb{F}_{2^5} \subset \mathbb{F}_{2^{25}} \subset \mathbb{F}_{2^{125}} \subset \dots$ , and so on

**Definition 3.8.** *The algebraic closure of the Galois field  $\mathbb{F}_{2^k}$ , denoted  $\overline{\mathbb{F}_{2^k}}$ , is the union of all fields  $\mathbb{F}_{2^n}$  such that  $k \mid n$ .*

## 3.2 Normal Basis Multiplier over Galois Field

From an algebraic perspective, a field is a space, and field elements are points in the space. Those elements can be represented with unique coordinates, which requires the predefinition of a basis vector. In this section, we discuss a special basis called normal basis, as well as the advantages of adopting it in GF operations, especially multiplication.

### 3.2.1 Normal Basis

Given a Galois field  $\mathbb{F}_{2^k}$  is a finite field with  $2^k$  elements and characteristic equals to 2. Its elements can be written in polynomials of  $\alpha$ , when there is an irreducible polynomial  $p(\alpha)$  defined.

If we use a basis  $\{1, \alpha, \alpha^2, \alpha^3, \dots, \alpha^{k-1}\}$ , we can easily transform polynomial representations to binary bit-vector representations by recording the coefficients. For example, for elements in  $\mathbb{F}_{2^4}$ , the results are shown in Table 3.2, column “Polynomial”.

The basis  $\{1, \alpha, \alpha^2, \alpha^3, \dots, \alpha^{k-1}\}$  is called a **standard basis** (StdB), which results in a straightforward representation for elements, and operations of elements such as addition and subtraction. The addition/subtraction of GF elements in StdB follows the rules of polynomial addition/subtraction where coefficients belong to  $\mathbb{F}_2$ . In other words, using the definition of *exclusive or* (XOR) in Boolean algebra, element  $A$  add/subtract by element  $B$  in StdB is defined as

$$\begin{aligned} A + B = A - B &= (a_0, a_1, \dots, a_{k-1})_{StdB} \bigoplus (b_0, b_1, \dots, b_{k-1})_{StdB} \\ &= (a_0 \oplus b_0, a_1 \oplus b_1, \dots, a_{k-1} \oplus b_{k-1})_{StdB} \end{aligned} \quad (3.7)$$

### 3.2.2 Multiplication Using Normal Basis

Besides addition/subtraction, multiplication is also very common in arithmetic circuit design. The multiplication of GF elements in  $\mathbb{F}_{2^k}$  in StdB follows the rule of polynomial multiplication, but

it will result in  $O(k^2)$  bitwise operations. In other words, if we implement GF multiplication in a bit-level logic circuit, it will contain  $O(k^2)$  gates. When the datapath size  $k$  is large, the area and delay of circuit will be costly.

In order to lower the complexity of arithmetic circuit design, Massey and Omura [109] use a new basis to represent GF elements, which is called a **normal basis** (NB). A normal basis over  $\mathbb{F}_{2^k}$  is written in the form of

$$N.B. \mathcal{N} = \{\beta, \beta^2, \beta^4, \beta^8, \dots, \beta^{2^{k-1}}\}$$

**Normal element**  $\beta$  is an element from the field which is used to construct the normal basis, and can be represented as a power of the primitive element  $\alpha$ :

$$\beta = \alpha^t, \quad 1 \leq t < 2^k$$

Exponent  $t$  takes values in the given range when  $\mathcal{N}$  fulfills the definition of a basis.

Correspondingly, a field element in NB representation is actually

$$\begin{aligned} A &= (a_0, a_1, \dots, a_{k-1})_{NB} \\ &= a_0\beta + a_1\beta^2 + \dots + a_{k-1}\beta^{2^{k-1}} \\ &= \sum_{i=0}^{k-1} a_i\beta^{2^i} \end{aligned}$$

According to the definition, a normal basis is a vector where the next entry is the square of the former one. We note that the vector is cyclic, i.e.,  $\beta^{2^k} = \beta$  due to *Fermat's little theorem*.

The addition and subtraction of elements in NB representation are similar to Equation 3.7. However, what makes NB powerful is its ease of implementation when doing multiplications and exponentiations. The following lemmas and examples illustrate this fabulous property very well.

**Lemma 3.1** (Square of NB). *In  $\mathbb{F}_{2^k}$ ,*

$$(a + b)^2 = a^2 + b^2$$

According to the **binomial theorem**, it can be extended to

$$\begin{aligned} \beta^2 &= (b_0\beta + b_1\beta^2 + b_2\beta^4 + \dots + b_{k-1}\beta^{2^{k-1}})^2 \\ &= b_0^2\beta^2 + b_1^2\beta^4 + b_2^2\beta^8 + \dots + b_{k-1}^2\beta \\ &= b_{k-1}^2\beta + b_0\beta^2 + b_1\beta^4 + \dots + b_{k-2}\beta^{2^{k-1}} \end{aligned}$$

This lemma concludes that the square of an element in NB equals to a simple *right-cyclic shift* of the bit-vector. Obviously, StdB representation does not have this benefit.

**Example 3.4** (Square of NB). *In GF  $\mathbb{F}_{2^3}$  constructed by irreducible polynomial  $x^3 + x + 1$ , the standard basis is denoted as  $\{1, \alpha, \alpha^2\}$  where  $\alpha^3 + \alpha + 1 = 0$ . Let  $\beta = \alpha^3$ , then  $\mathcal{N} = \{\beta, \beta^2, \beta^4\}$  forms a normal basis. Write down element  $E$  using both representations:*

$$\begin{aligned} E &= (a_0, a_1, a_2)_{StdB} = (b_0, b_1, b_2)_{NB} \\ &= a_0 + a_1\alpha + a_2\alpha^2 = b_0\beta + b_1\beta^2 + b_2\beta^4 \end{aligned}$$

*Compute the square of  $E$  in StdB first:*

$$\begin{aligned} E^2 &= a_0 + a_1\alpha^2 + a_2\alpha^4 \\ &= a_0 + a_2\alpha + (a_1 + a_2)\alpha^2 \\ &= (a_0, a_2, a_1 + a_2)_{StdB} \end{aligned}$$

*When it is computed in NB, we can make it very simple:*

$$\begin{aligned} E^2 &= \xrightarrow{\text{Cyclic shift}} (b_0, b_1, b_2)_{NB} \\ &= (b_2, b_0, b_1)_{NB} \end{aligned}$$

This example shows the convenience of using NB when computing  $2^k$  power of an element. Multiplication is more complicated than squaring; but when it is decomposed as bit-wise operations, the property in Lemma 3.1 can be well utilized.

**Example 3.5** (Bit-wise NB multiplication). *Assume there are 2 binary vectors representing 2 operands in NB over  $\mathbb{F}_{2^k}$ :  $A = (a_0, a_1, \dots, a_{k-1})$ ,  $B = (b_0, b_1, \dots, b_{k-1})$ . Note that in this example, by default we use normal basis representation so subscript “NB” is skipped. Their product can also be written as:*

$$C = A \times B = (c_0, c_1, \dots, c_{k-1})$$

*Assume the most significant bit (MSB) of the product can be represented by a function  $f_{mult}$ :*

$$c_{k-1} = f_{mult}(a_0, a_1, \dots, a_{k-1}; b_0, b_1, \dots, b_{k-1}) \quad (3.8)$$

Before discussing the details of the function  $f_{mult}$ , we can square both sides of Equation 3.8, i.e.,  $C^2 = A^2 \times B^2$ . Obviously, using the property in Lemma 3.1, the original second most significant bit becomes the new MSB because of right-cyclic shifting. Concretely,

$$(c_{k-1}, c_0, c_1, \dots, c_{k-2}) = (a_{k-1}, a_0, a_1, \dots, a_{k-2}) \times (b_{k-1}, b_0, b_1, \dots, b_{k-2})$$

Note  $A^2$ ,  $B^2$  and  $C^2$  still belong to  $\mathbb{F}_{2^k}$ , thus as a universal function implementing MSB multiplication over  $\mathbb{F}_{2^k}$ ,  $f_{mult}$  still remains the same. As a result, the new MSB can be written as

$$c_{k-2} = f_{mult}(a_{k-1}, a_0, a_1, \dots, a_{k-2}; b_{k-1}, b_0, b_1, \dots, b_{k-2}) \quad (3.9)$$

Similarly, if we take a square again on the new equation, we can get  $c_{k-3}$ . Successively we can derive all bits of product  $C$  using the same function  $f_{mult}$ , and the only adjustment we need to make is to right-cyclic shift 2 operands by 1 bit each time.

From the above example, it is known that a universal structure that implements  $f_{mult}$  can be reused  $k$  times in NB multiplication over  $\mathbb{F}_{2^k}$ . Compared to StdB, which requires a distinct design for every bit of multiplication, NB is less costly – as long as we can prove  $f_{mult}$  implies a structure with  $o(k^2)$  complexity (symbol  $o$  denotes “strictly lower than bound”).

If we want to make the complexity of  $f_{mult}$  lower than  $O(k^2)$ , then the best choice is to try out linear functions. As we know, matrix multiplication can simulate all possible combinations of linear functions. Imagine  $A$  is a  $k$ -bit row vector and  $B$  is a  $k$ -bit column vector, then the single bit product can be written as the product of matrix multiplication

$$c_l = A \times M \times B$$

where

$$A = (a_0, a_1, \dots, a_{k-1})$$

$$B = \begin{pmatrix} b_0 \\ b_1 \\ \vdots \\ b_{k-1} \end{pmatrix}$$

Moreover,  $M$  is a  $k \times k$  square binary matrix. If we can find  $M$ , we obtain the design of the multiplier.

**Definition 3.9** ( $\lambda$ -Matrix). A binary  $k \times k$  matrix  $M$  is used to describe the bit-wise normal basis multiplication function  $f_{mult}$  where

$$c_l = f_{mult}(A, B) = A \times M \times B^T \quad (3.10)$$

Symbol  $B^T$  denotes vector transposition. Matrix  $M$  is called  $\lambda$ -Matrix of  $k$ -bit NB multiplication over  $\mathbb{F}_{2^k}$ .

When taking different bits  $l$  of the product in Equation 3.10, we obtain a series of conjugate matrices of  $M$ . This means that instead of shifting operands  $A$  and  $B$ , we can also shift the matrix.

More specifically, we denote the matrix by  $l$ -th  $\lambda$ -Matrix as

$$c_l = A \times M^{(l)} \cdot B^T$$

Meanwhile, the operator-shifting rule in Equation 3.9 still holds. Then we have the relation

$$c_{l-1} = A \cdot M^{(l-1)} \cdot B^T = \text{shift}(A) \cdot M^{(l)} \cdot \text{shift}(B)^T$$

which means by right and down cyclically shifting  $M^{(l-1)}$ , we can get  $M^{(l)}$ .

**Example 3.6** (NB multiplication using  $\lambda$ -Matrix). Over  $GF \mathbb{F}_{2^3}$  constructed by irreducible polynomial  $\alpha^3 + \alpha + 1$ , let normal element  $\beta = \alpha^3$ ,  $N = \{\beta, \beta^2, \beta^4\}$  forms a normal basis. Corresponding 0-th  $\lambda$ -Matrix is

$$M^{(0)} = \begin{pmatrix} 0 & 1 & 0 \\ 1 & 0 & 1 \\ 0 & 1 & 1 \end{pmatrix}$$

i.e.,

$$c_0 = (a_0 \ a_1 \ a_2) \begin{pmatrix} 0 & 1 & 0 \\ 1 & 0 & 1 \\ 0 & 1 & 1 \end{pmatrix} \begin{pmatrix} b_0 \\ b_1 \\ b_2 \end{pmatrix}$$

From 0-th  $\lambda$ -Matrix we can directly write down all remaining  $\lambda$ -Matrices:

$$M^{(1)} = \begin{pmatrix} 1 & 0 & 1 \\ 0 & 0 & 1 \\ 1 & 1 & 0 \end{pmatrix} \quad M^{(2)} = \begin{pmatrix} 0 & 1 & 1 \\ 1 & 1 & 0 \\ 1 & 0 & 0 \end{pmatrix}$$



If we generalize the definition and explore the nature of  $\lambda$ -Matrix, it is defined as cross-product terms from multiplication, which is

$$\text{Product vector } C = \left( \sum_{i=0}^{k-1} a_i \beta^{2^i} \right) \left( \sum_{j=0}^{k-1} b_j \beta^{2^j} \right) = \sum_{i=0}^{k-1} \sum_{j=0}^{k-1} a_i b_j \beta^{2^i} \beta^{2^j} \quad (3.11)$$

The expressions  $\beta^{2^i} \beta^{2^j}$  are referred to as cross-product terms, and can be represented by NB, i.e.,

$$\beta^{2^i} \beta^{2^j} = \sum_{l=0}^{k-1} \lambda_{ij}^{(l)} \beta^{2^l}, \quad \lambda_{ij}^{(l)} \in \mathbb{F}_2. \quad (3.12)$$

Substitution yields an expression for  $l$ -th digit of product as showed in Equation 3.8:

$$c_l = \sum_{i=0}^{k-1} \sum_{j=0}^{k-1} \lambda_{ij}^{(l)} a_i b_j \quad (3.13)$$

$\lambda_{ij}^{(l)}$  is the entry with coordinate  $(i, j)$  in  $l$ -th  $\lambda$ -Matrix.

The  $\lambda$ -Matrix can be implemented with XOR and AND gates in circuit design. The very naive implementation requires  $O(C_N)$  gates, where  $C_N$  is the number of nonzero entries in  $\lambda$ -Matrix. There usually exist multiple NBs in  $\mathbb{F}_{2^k}$ ,  $k > 3$ . If we employ a random NB, there is no mathematical guarantee that  $C_N$  has bound  $o(k)$ . However, Mullin *et al.* [108] prove that in certain GF  $\mathbb{F}_{p^{k_{opt}}}$ , there always exists at least one NB such that its corresponding  $\lambda$ -Matrix has  $C_N = 2n - 1$  nonzero entries. A basis with this property is called optimal normal basis (ONB), details of which are introduced in Appendix B.

In practice, large NB multipliers are usually designed in  $\mathbb{F}_{2^k}$  when ONB exists to minimize the number of gates. So in the following part of this chapter and our experiments, we only focus on ONB multipliers instead of general NB multipliers.

### 3.2.3 Comparison between Standard Basis and Normal Basis

At the end of this section, a detailed example is used to make a comparison between StdB multiplication and NB multiplication.

**Example 3.7** (Rijndael's finite field). *Rijndael uses a characteristic 2 finite field with 256 elements, which can also be called the GF  $\mathbb{F}_{2^8}$ . Let us define the primitive element  $\alpha$  using irreducible polynomial  $\alpha^8 + \alpha^7 + \alpha^6 + \alpha^4 + \alpha^2 + \alpha + 1$ . Coincidentally,  $\alpha$  is also a normal element, i.e.,  $\beta = \alpha$  can construct a NB  $\{\alpha, \alpha^2, \alpha^4, \alpha^8, \alpha^{16}, \alpha^{32}, \alpha^{64}, \alpha^{128}\}$ .*

We pick a pair of elements from the Rijndael's field:  $A = (0100\ 1011)_{StdB} = (4B)_{StdB}$ ,  $B = (1100\ 1010)_{StdB} = (CA)_{StdB}$ . First let us compute their product in StdB, the rule follows ordinary polynomial multiplication.

$$\begin{aligned}
 A \cdot B &= (\alpha^6 + \alpha^3 + \alpha + 1)(\alpha^7 + \alpha^6 + \alpha^3 + \alpha) \\
 &= (\alpha^{13} + \alpha^{10} + \alpha^8 + \alpha^7) + (\alpha^{12} + \alpha^9 + \alpha^7 + \alpha^6) + (\alpha^9 + \alpha^6 + \alpha^4 + \alpha^3) \\
 &\quad + (\alpha^7 + \alpha^4 + \alpha^2 + \alpha) \\
 &= \alpha^{13} + \alpha^{12} + \alpha^{10} + \alpha^8 + \alpha^7 + \alpha^3 + \alpha^2 + \alpha
 \end{aligned}$$

Note that this polynomial is not the final form of the product because it needs to be reduced modulo irreducible polynomial  $\alpha^8 + \alpha^7 + \alpha^6 + \alpha^4 + \alpha^2 + \alpha + 1$ . This can be done using base-2 long division. Note the dividend and divisor are written in pseudo Boolean vectors, not real Boolean vectors in any kind of bases.

$$\begin{array}{r}
 \phantom{111010111} 101001 \\
 111010111 \overline{) 11010110001110} \\
 \underline{111010111} \phantom{0} \\
 111101101 \phantom{0} \\
 \underline{111010111} \phantom{0} \\
 111010110 \phantom{0} \\
 \underline{111010111} \phantom{0} \\
 1
 \end{array}$$

The final remainder is 1, i.e., the product equals 1 in StdB.

On the other hand, operands  $A$  and  $B$  can be written in NB as

$$A = (0010\ 1001)_{NB}, \quad B = (0100\ 0010)_{NB}$$

The  $\lambda$ -Matrix for  $\mathbb{F}_2[x]$  (mod  $x^8 + x^7 + x^6 + x^4 + x^2 + x + 1$ ) is (Computation of  $\lambda$ -Matrix refers to Appendix A)

$$M^{(0)} = \begin{pmatrix} 0 & 0 & 0 & 0 & 1 & 0 & 1 & 1 \\ 0 & 0 & 1 & 1 & 1 & 1 & 0 & 0 \\ 0 & 1 & 0 & 0 & 0 & 0 & 1 & 0 \\ 0 & 1 & 0 & 0 & 1 & 1 & 0 & 1 \\ 1 & 1 & 0 & 1 & 0 & 1 & 0 & 0 \\ 0 & 1 & 0 & 1 & 1 & 0 & 0 & 1 \\ 1 & 0 & 1 & 0 & 0 & 0 & 0 & 0 \\ 1 & 0 & 0 & 1 & 0 & 1 & 0 & 1 \end{pmatrix}$$

Taking matrix multiplication  $c_0 = A \times M^{(0)} \times B^T$ , the result is  $c_0 = 1$ . Then by cyclic shifting  $A$  and  $B$  (or shifting  $M^{(0)}$ , either is applicable), we can successively obtain other bits of product. The final answer is

$$C = (0000 \ 0001)_{NB}$$

It is equivalent to the result in StdB.

Mastrovito multiplier [101] and Montgomery multiplier [102] are 2 common designs of GF multipliers using StdB. As a naive implementation of GF multiplication, Mastrovito multiplier uses most number of gates:  $k^2$  AND gates and less than  $k^2$  XOR gates [112]. Montgomery multiplier applies lazy reduction techniques and results in a better latency performance, while the number of gates are about the same with Mastrovito multiplier:  $k^2$  AND gates and  $k^2 - k/2$  XOR gates [104].

For an 8-bit ( $\mathbb{F}_{2^8}$ ) multiplier, typical design of Mastrovito multiplier consists of 218 logic gates, while Montgomery multiplier needs 198 gates. However, the NB multiplier reuses the  $\lambda$ -Matrix logic, so this component will only need to be implemented for once. Consider the definition of matrix multiplication, it needs  $C_N$  AND gates to apply bit-wise multiplication and  $C_N - 1$  XOR gates to sum the intermediate products up. The number of nonzero entries in the  $\lambda$ -Matrix can be counted:  $C_N = 27$ . As a result, the most naive NB multiplier design (or Massey-Omura multiplier [109]) contains 53 gates in total, which is a great saving in area cost compared to StdB multipliers.

### 3.3 Design of a Normal Basis Multiplier on Gate Level

The NB multiplier design consists of fewer gates than ordinary StdB multiplier design, even if we use the most naive design. However, the modern NB multiplier design has been improved a lot from the very first design model proposed by Massey and Omura in 1986 [109]. In order to test our approach on practical contemporary circuits, it is necessary to learn the mechanism and design routine of several kinds of modern NB multipliers.

### 3.3.1 Sequential Multiplier with Parallel Outputs

The major benefit of NB multiplier originates from the sequential design. A straightforward design implementing the cyclic-shift of operands and  $\lambda$ -Matrix logic component is the Massey-Omura multiplier.

Figure 3.1 shows the basic architecture of a Massey-Omura multiplier. The operands  $A$  and  $B$  are 2 arrays of flip-flops which allow 1-bit right-cyclic shift every clock cycle. The logic gates in the boxes implements the matrix multiplication with  $\lambda$ -Matrix  $M^{(0)}$ , while each AND gate corresponds to term  $a_i b_j$  and each XOR gate corresponds to addition  $a_i b_j + a_{i'} b_{j'}$ . The XOR layer has only 1 output, giving out 1 bit of product  $C$  every clock cycle.

The behavior of Massey-Omura multiplier can be described as follows: preload operands  $A, B$  and reset  $C$  to 0, after executing for  $k$  clock cycles, the data stored in flip-flop array  $C$  is the product  $A \times B$ . We note that there is only one output giving 1 bit of the product each clock cycle, which matches the definition of serial output to communication channel. Therefore this type of design is called a sequential multiplier with serial output (SMSO). The SMSO architecture needs  $C_N$  AND gates and  $C_N - 1$  XOR gates, which equals to  $2k - 1$  AND gates and  $2k - 2$  XOR gates if it is designed using ONB. In fact, the number of gates can be reduced if the multiplication is implemented using a conjugate of SMSO.

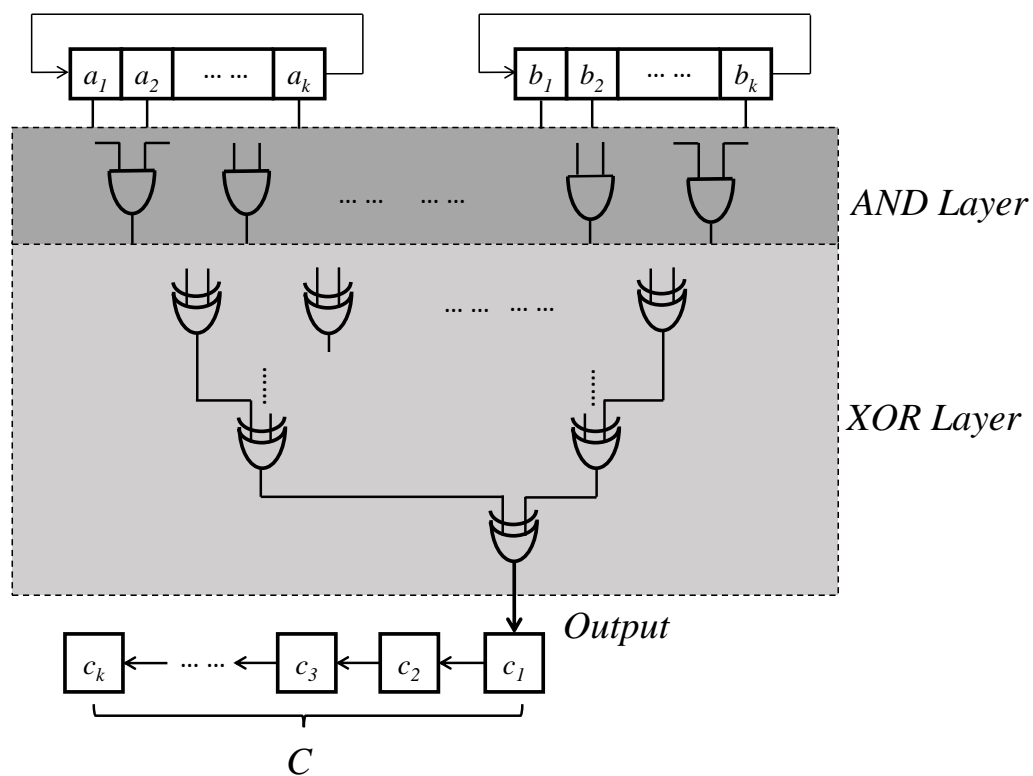
The gate-level logic boxes implement the following function:

$$c_l = \text{row}_1(A \times M^{(l)}) \times B + \text{row}_2(A \times M^{(l)}) \times B + \dots + \text{row}_k(A \times M^{(l)}) \times B \quad (3.14)$$

It can be decomposed into  $k$  terms. If we only compute one term for each  $c_l$ ,  $0 \leq l \leq k - 1$  in one clock cycle, make  $k$  outputs and add them up using shift register after  $k$  clock cycles, it will generate the same result with SMSO. This kind of architecture is called a sequential multiplier with parallel outputs (SMPO). The basic SMPO, as a conjugate of Massey-Omura multiplier, was invented by Agnew *et al.* [110].

**Example 3.8** (5-bit Agnew's SMPO). Given  $GF \mathbb{F}_{2^5}$  and primitive element  $\alpha$  defined by irreducible polynomial  $\alpha^5 + \alpha^2 + 1 = 0$ , normal element  $\beta = \alpha^5$  constructs an ONB  $\{\beta, \beta^2, \beta^4, \beta^8, \beta^{16}\}$ . The 0-th  $\lambda$ -Matrix for this ONB is

$$M^{(0)} = \begin{pmatrix} 0 & 1 & 0 & 0 & 0 \\ 1 & 0 & 0 & 1 & 0 \\ 0 & 0 & 0 & 1 & 1 \\ 0 & 1 & 1 & 0 & 0 \\ 0 & 0 & 1 & 0 & 1 \end{pmatrix}$$



**Figure 3.1:** A typical SMSO structure of Massey-Omura multiplier.

Then a typical design of 5-bit Agnew's SMPO is depicted in Figure 3.2.

The operands part of this circuit is the same with Massey-Omura multiplier. The differences are on the matrix multiplication part, while it is implemented as separate logic blocks for 5 outputs, and the 5 blocks are connected in a shift register fashion. By analyzing the detailed function of logic blocks, we can reveal the mechanism of Agnew's SMPO.

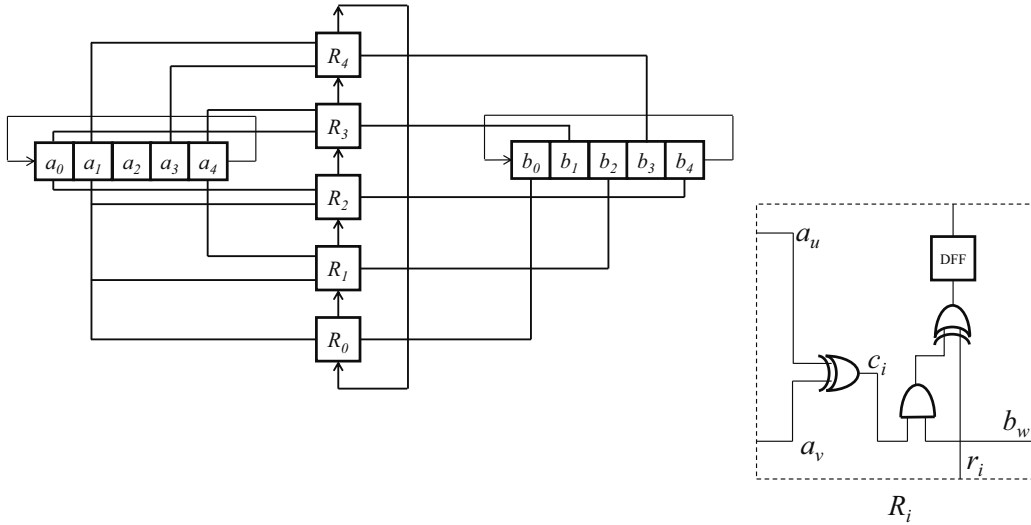
Suppose we implement  $M^{(0)}$  as the logic block in SMSO. In the first clock cycle, the output is

$$c_0 = a_1b_0 + (a_0 + a_3)b_1 + (a_3 + a_4)b_2 + (a_1 + a_2)b_3 + (a_2 + a_4)b_4 \quad (3.15)$$

It is written in the form of Equation 3.14. In next clock cycles we can obtain remaining bits of the product, which can be written in the following general form polynomial:

$$c_i = b_i a_{i+1} + b_{i+1}(a_i + a_{i+3}) + b_{i+2}(a_{i+3} + a_{i+4}) \\ + b_{i+3}(a_{i+1} + a_{i+2}) + b_{i+4}(a_{i+2} + a_{i+4}), \quad 0 \leq i \leq 4$$

Note all index calculations are reduced modulo 5.



**Figure 3.2:** 5-bit Agnew's SMPO. Index  $i$  satisfies  $0 < i < 4$ , indices  $u, v$  are determined by column # of nonzero entries in  $i$ -th row of  $\lambda$ -Matrix  $M^{(0)}$ , i.e., if entry  $M_{ij}^{(0)}$  is a nonzero entry,  $u$  or  $v$  equals to  $i + j \pmod{5}$ . Index  $w = 2i \pmod{5}$ .

Now let us observe the behavior of 5-bit Agnew's SMPO. Initially all DFFs are reset to 0. In the first clock cycle, signal sent to the flip-flop in block  $R_0$  denotes function:

$$R_0^{(1)} = a_1b_0.$$

This equals the first term of Equation 3.15. In the second clock cycle, this signal is sent to block  $R_1$  through wire  $r_0$ , and this block also receives data from operands (shifted by 1 bit), generating signal  $a_u, a_v$  and  $b_w$ . Concretely, signal sent to flip-flop in block  $R_1$  is:

$$R_1^{(2)} = R_0^{(1)} + (a_0 + a_3)b_1 = a_1b_0 + (a_0 + a_3)b_1$$

which forms the first 2 terms of Equation 3.15. Similarly, we track the signal on  $R_2$  in the third clock cycle, signal on  $R_3$  in the fourth clock cycle, finally we can get

$$R_4^{(5)} = a_1b_0 + (a_0 + a_3)b_1 + (a_3 + a_4)b_2 + (a_1 + a_2)b_3 + (a_2 + a_4)b_4$$

which is equal to  $c_0$  in Equation 3.15. After the fifth clock cycle ends, this signal can be detected on wire  $r_0$ . It shows that the result of  $c_0$  is computed after 5 clock cycles and given on  $r_0$ .

If we track  $R_1 \rightarrow R_2 \rightarrow R_3 \rightarrow \dots \rightarrow R_0$ , we can obtain  $c_1$ . Thus we conclude that Agnew's SMPO functions the same with Massey-Omura multiplier.

The design of Agnew's SMPO guarantees that there is only one AND gate in each  $R_i$  block. For ONB, adopting Agnew's SMPO will reduce the number of AND gates from  $2k - 1$  to  $k$ .

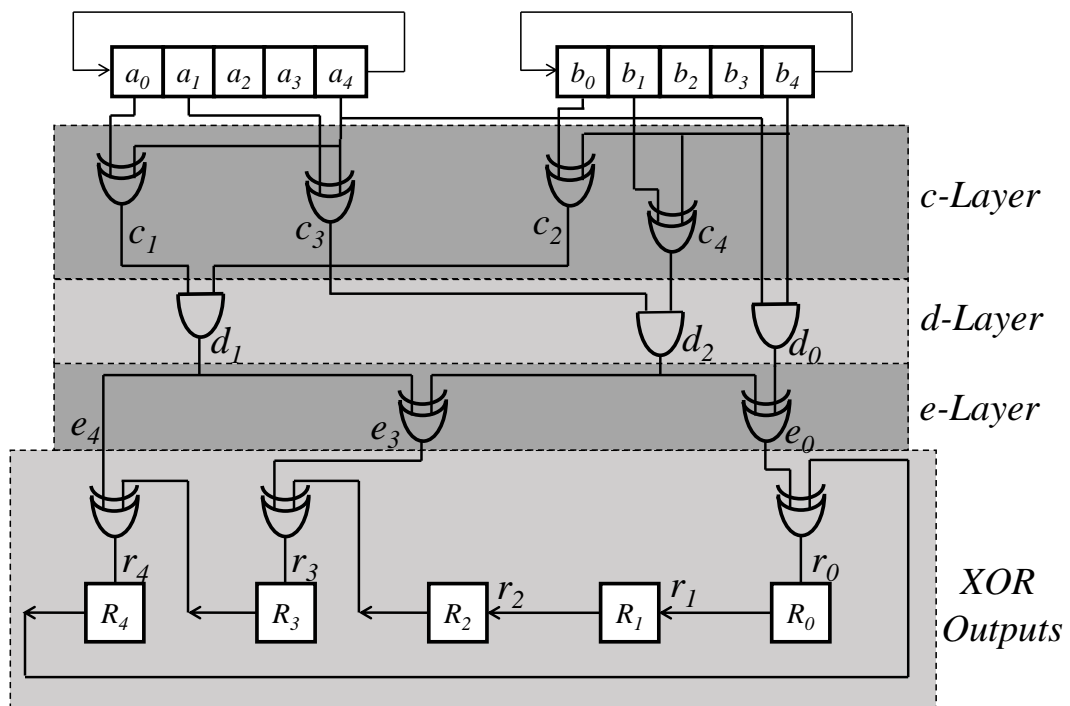
### 3.3.2 Multiplier Not Based on the $\lambda$ -Matrix

Both Massey-Omura multiplier and Agnew's SMPO rely on the implementation of  $\lambda$ -Matrix, which means that they will be identical if unrolled to full combinational circuits. After Agnew's work of parallelization, researchers proposed more designs of SMPO, some of which jump out of the box and are independent from  $\lambda$ -Matrix. One competitive multiplier design of this type was invented by Reyhani-Masoleh and Hasan [111], which is therefore called RH-SMPO.

Figure 3.3 is a 5-bit RH-SMPO, which is functionally equivalent to the 5-bit Agnew's SMPO in Figure 3.2. A brief proof is as follows:

**Proof.** First, we define an auxiliary function for  $i$ -th bit

$$F_i(A, B) = a_i b_i \beta + \sum_{j=1}^v d_{i,j} \beta^{1+2^j} \quad (3.16)$$



**Figure 3.3:** A 5-bit RH-SMPO.



where  $0 \leq i \leq k-1$ ,  $v = \lfloor k/2 \rfloor$ ,  $1 \leq j \leq v$ . The  $d$ -layer index  $d_{i,j}$  is defined as

$$d_{i,j} = c_{a,i}c_{b,i} = (a_i + a_{i+j})(b_i + b_{i+j}), \quad 1 \leq j \leq v \quad (3.17)$$

$i + j$  here is the result reduced modulo  $k$ . Note that there is a special boundary case when  $k$  is an even number ( $v = \frac{k}{2}$ ):

$$d_{i,v} = (a_i + a_{i+v})b_i$$

With the auxiliary function, we can utilize the following theorem (proof refers to [111]):

**Theorem 3.4.** *Consider three elements  $A, B$ , and  $R$  such that  $R = A \times B$  over  $\mathbb{F}_{2^k}$ . Then,*

$$R = (((F_{k-1}^2 + F_{k-2})^2 + F_{k-3})^2 + \cdots + F_1)^2 + F_0$$

where auxiliary function  $F_i$  is as given in Equation 3.16. This form is called inductive sum of squares, and corresponds to the cyclic shifting on  $R_i$  flip-flops.

Concretely, the multiplier behavior is an implementation of the following algorithm:

---

**Algorithm 1:** NB Multiplication Algorithm in RH-SMPO [111]

---

**Input:**  $A, B \in \mathbb{F}_{2^k}$  given w.r.t. NB  $N$   
**Output:**  $R = A \times B$

- 1 Initialize  $A, B$  and aux var  $X$  to 0;
- 2 **for** ( $i = 0; i < k; ++i$ ) **do**
- 3    $X \leftarrow X^2 + F_{k-1}(A, B)$  /\*use aux-func from Equation 3.16\*/;
- 4    $A \leftarrow A^2, B \leftarrow B^2$  /\*Right-cyclic shift  $A$  and  $B$ \*/;
- 5 **end**
- 6  $R \leftarrow X$

---

In this algorithm, we use a fixed auxiliary function  $F_{k-1}$  inside the loop. This is because of equation

$$F_{k-l} = F_{k-1}(A^{2^{l-1}}, B^{2^{l-1}}), \quad 1 \leq l \leq k$$

So, using fixed  $F_{k-1}$  and squaring  $A^{2^i}$  every time inside the loop is equivalent to computing sequence  $F_{k-1}, F_{k-2}, \dots, F_0$  with fixed operands  $A, B$ . ■

To better understand the mechanism of RH-SMPO, we will use this 5-bit RH-SMPO as an example and introduce the details on how to design it.

**Example 3.9** (Designing a 5-bit RH-SMPO). *From Equation 3.16 we can deploy AND gates in  $d$ -layer according to  $d_{i,j}$ , and XOR gates in  $c$ -layer according to Equation 3.17. Concretely, as Algorithm 1 describes, we implement auxiliary function  $F_{k-1}$  in the logic:*

$$i = k - 1 = 4; \quad v = \lfloor 5/2 \rfloor = 2$$

$$F_4(A, B) = a_4 b_4 \beta + \sum_{j=1}^2 d_{4,j} \beta^{1+2^j} = d_0 \beta + \sum_{j=1}^2 d_{4,j} \beta^{1+2^j} \quad (3.18)$$

Consider equality of indices  $4 + 1 = 0 \pmod{5}$ ,  $4 + 2 = 1 \pmod{5}$ , we can write down gates in  $c$ -layer and  $d$ -layer (besides  $d_0$ )

$$c_1 = a_0 + a_4, \quad c_2 = b_0 + b_4, \quad d_1 = d_{4,1} = c_1 c_2 = (a_4 + a_0)(b_4 + b_0)$$

$$c_3 = a_1 + a_4, \quad c_4 = b_1 + b_4, \quad d_2 = d_{4,2} = c_3 c_4 = (a_4 + a_1)(b_4 + b_1)$$

The difficult part of the whole design is to deploy XOR gates in  $e$ -layer. As the logic layer closest to the outputs  $R_i$ ,  $e$ -layer actually finishes the implementation of  $F_{k-1}(A, B)$ . But it is not a simple addition; the reason is before bit-wise adding to  $X^2$ , it is necessary to turn the sum to NB form. In other words, theoretically we need  $k$  XOR gates in  $e$ -layer, the output of  $i$ -th gate forms the coefficient of  $\beta^{2^i}$ .

In order to obtain information indicating interconnections between the  $d$ -layer and  $e$ -layer, we need to interpret  $\beta^{1+2^j}$  to NB representation. There is a concept called **multiplication table** ( $M$ -table) which can assist this interpretation. It is defined as a  $k \times k$  matrix  $T$  over  $\mathbb{F}_2$ :

$$\begin{bmatrix} \beta^{1+2^0} \\ \beta^{1+2^1} \\ \beta^{1+2^2} \\ \vdots \\ \beta^{1+2^{k-1}} \end{bmatrix} = \beta \begin{bmatrix} \beta \\ \beta^2 \\ \beta^4 \\ \vdots \\ \beta^{2^{k-1}} \end{bmatrix} = \begin{bmatrix} T_{0,0} & T_{0,1} & \cdots & T_{0,k-1} \\ T_{1,0} & T_{1,1} & \cdots & T_{1,k-1} \\ T_{2,0} & T_{2,1} & \cdots & T_{2,k-1} \\ \vdots & \vdots & \ddots & \vdots \\ T_{k-1,0} & T_{k-1,1} & \cdots & T_{k-1,k-1} \end{bmatrix} \begin{bmatrix} \beta \\ \beta^2 \\ \beta^4 \\ \vdots \\ \beta^{2^{k-1}} \end{bmatrix} = \mathbf{T} \begin{bmatrix} \beta \\ \beta^2 \\ \beta^4 \\ \vdots \\ \beta^{2^{k-1}} \end{bmatrix} \quad (3.19)$$

It is a known fact that  $M$ -table  $T$  can be converted from  $\lambda$ -Matrix  $M$ :

$$M_{i,j}^{(0)} = T_{j-i,-i}$$

with indices reduced modulo  $k$  (proof given in Appendix B). Thus we can write down the  $M$ -table of  $\mathbb{F}_{2^5}$  with current NB  $N$ :

Note that we only use row 1 and row 2 from the  $M$ -table since range  $1 \leq j \leq 2$ . All nonzero entries in these 2 rows corresponds to the interconnections between  $d$ -layer and  $e$ -layer. For example, row 1 has two nonzero entries at column 0 and column 3, which corresponds to interconnections between  $d_1$  and  $e_0, e_3$ . This conclusion comes from row 1 in Equation 3.19:

$$\beta \cdot \beta^2 = [1 \quad 0 \quad 0 \quad 1 \quad 0] \begin{bmatrix} \beta \\ \beta^2 \\ \beta^4 \\ \beta^8 \\ \beta^{16} \end{bmatrix} = \beta + \beta^{2^3}$$

Similarly, from row 2 of the  $M$ -table we derive that  $d_2$  has fanouts  $e_3, e_4$ :

$$\beta \cdot \beta^{2^2} = [0 \ 0 \ 0 \ 1 \ 1] \begin{bmatrix} \beta \\ \beta^2 \\ \beta^4 \\ \beta^8 \\ \beta^{16} \end{bmatrix} = \beta^{2^3} + \beta^{2^4}$$

Let us look back at Equation 3.18; we already dealt with the latter part. The first term is always  $d_0\beta$ , which denotes  $d_0$  should always be connected to  $e_0(\beta)$ . After gathering all interconnection information, we can translate it to gate-level circuit implementation:

$$e_0 = d_0 + d_1, \quad e_3 = d_1 + d_2, \quad e_4 = d_2$$

Then the last mission is to implement the output  $R_i$  layer. Assume  $r_{i-1}$  is the output of  $R_{i-1}$  in the last clock cycle, we can connect using the relation

$$R_i = r_{i-1} + e_i$$

In this example, according to the  $M$ -table in Figure 3.4, columns  $e_1, e_2$  have only zeros in their intersection with rows  $d_1, d_2$ . Thus gates for  $e_1, e_2$  can be omitted.

This finishes the full design procedure for a 5-bit RH-SMPO.

The area cost of RH-SMPO is even smaller than Agnew's SMPO. XOR gates correspond to all nonzero entries in  $M$ -table, which is with the same number of nonzero entries in  $\lambda$ -Matrix ( $C_N$ ). The number of AND gates equals to  $v$  plus 1 (for gate  $d_0$ ). When using ONB ( $C_N = 2k - 1$ ), the total number of gates is  $2k + \lfloor \frac{k}{2} \rfloor$ .

	0	1	0	0	0
$d_1$	1	0	0	1	0
$d_2$	0	0	0	1	1
	0	1	1	0	0
	0	0	1	0	1
	$e_0$			$e_3$	$e_4$

**Figure 3.4:** A  $5 \times 5$  multiplication table.

### **3.4 Concluding Remarks**

In this chapter, we introduced basic concepts such as the definition of finite fields and the construction of finite fields. Moreover, we described a special kind of basis in finite field, and its application on Galois field hardware design. The sequential Galois field multipliers based on these principles are used as candidates for applying our functional verification approach in subsequent chapters.

## CHAPTER 4

# GRÖBER BASES AND ALGEBRAIC GEOMETRY

This chapter reviews fundamental concepts of commutative and computer algebra which are used in this work. Specifically, this chapter covers monomial ordering, polynomial ideals and varieties, and the computation of Gröbner bases. It also overviews elimination theory as well as Hilbert's Nullstellensatz theorems and how they apply to Galois fields. The results of these theorems are used in polynomial abstraction and formal verification of Galois field circuits and are discussed in subsequent chapters. The material of this chapter is mostly taken from the textbooks [17, 113] and previous work by Lv [19] as well as Pruss [16].

### 4.1 Algebraic Geometry Fundamentals

#### 4.1.1 Monomials, Polynomials and Polynomial Algebra

**Definition 4.1.** A **monomial** in variables  $x_1, x_2, \dots, x_d$  is a product of the form:

$$x_1^{\alpha_1} \cdot x_2^{\alpha_2} \cdot \dots \cdot x_d^{\alpha_d}, \quad (4.1)$$

where  $\alpha_i \geq 0, i \in \{1, \dots, d\}$ . The total degree of the monomial is  $\alpha_1 + \dots + \alpha_d$ .

Thus,  $x^2 \cdot y$  is a monomial in variables  $x, y$  with total degree 3. For simplicity, we will henceforth denote a monomial  $x_1^{\alpha_1} \cdot x_2^{\alpha_2} \cdot \dots \cdot x_d^{\alpha_d}$  as  $x^\alpha$ , where  $\alpha = (\alpha_1, \dots, \alpha_d)$  is a vector size  $d$  of integers  $\geq 0$ , i.e.,  $\alpha \in \mathbb{Z}_{\geq 0}^d$ .

**Definition 4.2.** Let  $\mathbb{R}$  be a ring. A **polynomial** over  $\mathbb{R}$  in the indeterminate  $x$  is an expression of the form:

$$a_0 + a_1x + a_2x^2 + \dots + a_kx^k = \sum_{i=0}^k a_i x^i, \forall a_i \in \mathbb{R}. \quad (4.2)$$

The constants  $a_i$  are the coefficients and  $k$  is the degree of the polynomial. For example,  $8x^3 + 6x + 1$  is a polynomial in  $x$  over  $\mathbb{Z}$ , with coefficients 8, 6, and 1 and degree 3.

**Definition 4.3.** The set of all polynomials in the indeterminate  $x$  with coefficients in the ring  $\mathbb{R}$  forms a **ring of polynomials**  $\mathbb{R}[x]$ . Similarly,  $\mathbb{R}[x_1, x_2, \dots, x_n]$  represents the ring of multivariate polynomials with coefficients in  $\mathbb{R}$ .

For example,  $\mathbb{Z}_{24}[x]$  stands for the set of all polynomials in  $x$  with coefficients in  $\mathbb{Z}_{24}$ .  $8x^3 + 6x + 1$  is an instance of a polynomial contained in  $\mathbb{Z}_{24}[x]$ .

**Definition 4.4.** A **multivariate polynomial**  $f$  in variables  $x_1, x_2, \dots, x_d$  with coefficients in any given field  $\mathbb{F}$  is a finite linear combination of monomials with coefficients in  $\mathbb{F}$ :

$$f = \sum_{\alpha} a_{\alpha} \cdot x^{\alpha}, \quad a_{\alpha} \in \mathbb{F}$$

The set of all polynomials in  $x_1, x_2, \dots, x_d$  with coefficients in field  $\mathbb{F}$  is denoted by  $\mathbb{F}[x_1, x_2, \dots, x_d]$ . Thus,  $f \in \mathbb{F}[x_1, x_2, \dots, x_d]$

1. We refer to the constant  $a_{\alpha} \in \mathbb{F}$  as the **coefficient** of the monomial  $a_{\alpha}x^{\alpha}$ .
2. If  $a_{\alpha} \neq 0$ , we call  $a_{\alpha}x^{\alpha}$  a term of  $f$ .

As an example,  $2x^2 + y$  is a polynomial with two terms  $2x^2$  and  $y$ , with 2 and 1 as coefficients respectively. In contrast,  $x + y^{-1}$  is not a polynomial because the exponent of  $y$  is less than 0.

Since a polynomial is a sum of its terms, these terms have to be arranged unambiguously so that they can be manipulated in a consistent manner. Therefore, we need to establish a concept of **term ordering** (also called monomial ordering). A term ordering, represented by  $>$ , defines how terms in a polynomial are ordered.

Common term orderings are lexicographic ordering (LEX) and its variants: degree-lexicographic ordering (DEGLEX) and reverse degree-lexicographic ordering (DEGREVLEX).

A **lexicographic ordering** (LEX) is a total-ordering  $>$  such that variables in the terms are lexicographically ordered, i.e., simply based on when the variables appear in the ordering. It is also a well-order, where the least element exists. Higher variable-degrees take precedence over lower degrees for equivalent variables (e.g.,  $a^3 > a^2$  due to  $a \cdot a \cdot a > a \cdot a \cdot 1$ ).

**Definition 4.5. Lexicographic order:** Let  $x_1 > x_2 > \dots > x_d$  lexicographically. Also let  $\alpha = (\alpha_1, \dots, \alpha_d)$ ;  $\beta = (\beta_1, \dots, \beta_d) \in \mathbb{Z}_{\geq 0}^d$ . Then we have:

$$x^{\alpha} > x^{\beta} \iff \left\{ \begin{array}{l} \text{Starting from the left, the first co-ordinates of } \alpha_i, \beta_i \\ \text{that are different satisfy } \alpha_i > \beta_i \end{array} \right. \quad (4.3)$$

A **degree-lexicographic ordering** (DEGLEX) is a total-ordering  $>$  such that the total degree of a term takes precedence over the lexicographic ordering. A **degree-reverse-lexicographic ordering** (DEGREVLEX) is the same as a DEGLEX ordering, but terms are LEXed in reverse.

**Definition 4.6. Degree Lexicographic order:** Let  $x_1 > x_2 > \dots > x_d$  lexicographically. Also let  $\alpha = (\alpha_1, \dots, \alpha_d); \beta = (\beta_1, \dots, \beta_d) \in \mathbb{Z}_{\geq 0}^d$ . Then we have:

$$x^\alpha > x^\beta \iff \begin{cases} \sum_{i=1}^d \alpha_i > \sum_{i=1}^d \beta_i & \text{or} \\ \sum_{i=1}^d \alpha_i = \sum_{i=1}^d \beta_i \text{ and } x^\alpha > x^\beta & \text{w.r.t. LEX order} \end{cases} \quad (4.4)$$

**Definition 4.7. Degree Reverse Lexicographic order:** Let  $x_1 > x_2 > \dots > x_d$  lexicographically.

Also let  $\alpha = (\alpha_1, \dots, \alpha_d); \beta = (\beta_1, \dots, \beta_d) \in \mathbb{Z}_{\geq 0}^d$ . Then we have:

$$x^\alpha > x^\beta \iff \begin{cases} \sum_{i=1}^d \alpha_i > \sum_{i=1}^d \beta_i \text{ or} \\ \sum_{i=1}^d \alpha_i = \sum_{i=1}^d \beta_i \text{ and the first co-ordinates} \\ \alpha_i, \beta_i \text{ from the right, which are different, satisfy } \alpha_i < \beta_i \end{cases} \quad (4.5)$$

Based on the *monomial ordering*, we have the following concepts:

**Definition 4.8.** The **leading term** is the first term in a term-ordered polynomial. Likewise, the **leading coefficient** is the coefficient of the leading term. Finally, a **leading monomial** is the leading term lacking the coefficient. We use the following notation:

$$lt(f) \quad \text{Leading Term} \quad (4.6)$$

$$lc(f) \quad \text{Leading Coefficient} \quad (4.7)$$

$$lm(f) \quad \text{Leading Monomial} \quad (4.8)$$

$$tail(f) \quad f - lt(f) \quad (4.9)$$

**Example 4.1.**

$$f = 3a^2b + 2ab + 4bc \quad (4.10)$$

$$lt(f) = 3a^2b \quad (4.11)$$

$$lc(f) = 3 \quad (4.12)$$

$$lm(f) = a^2b \quad (4.13)$$

$$tail(f) = 2ab + 4bc \quad (4.14)$$

**Polynomial division** is an operation over polynomials that is dependent on the imposed monomial ordering. Dividing a polynomial  $f$  by another polynomial  $g$  cancels the leading term of  $f$  to derive a new polynomial.

**Definition 4.9.** Let  $\mathbb{F}$  be a field and let  $f, g \in \mathbb{F}[x_1, x_2, \dots, x_d]$  be polynomials over the field.

**Polynomial division** of  $f$  by  $g$  is computed following:

$$f - \frac{lt(f)}{lt(g)} \cdot g \quad (4.15)$$

This polynomial division is denoted

$$f \xrightarrow{g} r \quad (4.16)$$

where  $r$  is the resulting polynomial of the division. If  $\frac{lt(f)}{lt(g)}$  is nonzero, then  $f$  is considered divisible by  $g$ , i.e.,  $g \mid f$ .

Notice that if  $g \nmid f$ , that is if  $f$  is not divisible by  $g$ , then the division operation gives  $r = f$ .

**Example 4.2.** Over  $\mathbb{R}[x, y, z]$ , set the lex term order  $x > y > z$ . Let  $f = -2x^3 + 2x^2yz + 3xy^3$  and  $g = x^2 + yz$ .

$$\frac{lt(f)}{lt(g)} = \frac{-2x^3}{x^2} = -2x \quad (4.17)$$

Since  $\frac{lt(f)}{lt(g)}$  is nonzero  $g \mid f$ . The division,  $f \xrightarrow{g} r$ , is computed as:

$$\begin{aligned} r &= f - \frac{lt(f)}{lt(g)} \cdot g = -2x^3 + 2x^2yz + 3xy^3 - (-2x \cdot (x^2 + yz)) \\ &= -2x^3 + 2x^2yz + 3xy^3 - (-2x^3 - 2xyz) = 2x^2yz + 3xy^3 + 2xyz \end{aligned} \quad (4.18)$$

Notice that the division  $f \xrightarrow{g} r$  cancels the leading term of  $f$ .

Similarly, we can also define when a polynomial is divided (reduced) by a set of polynomials.

**Definition 4.10.** The **reduction** of a polynomial  $f$ , by another polynomial  $g$ , to a reduced polynomial  $r$  is denoted:

$$f \xrightarrow{g}_+ r$$

which is the transitive and reflective closure of the relation  $f \xrightarrow{g} r$ . Reduction is carried out using multivariate, polynomial long division.

For sets of polynomials, the notation

$$f \xrightarrow{F}_+ r$$

represents the reduced polynomial  $r$  resulting from  $f$  as reduced by a set of nonzero polynomials  $F = \{f_1, \dots, f_s\}$ . The polynomial  $r$  is considered **reduced** if  $r = 0$  or no term in  $r$  is divisible by  $lm(f_i), \forall f_i \in F$ .



The reduction process  $f \xrightarrow{F}_+ r$ , of dividing a polynomial  $f$  by a set of polynomials of  $F$ , can be modeled as repeated long-division of  $f$  by each of the polynomials in  $F$  until no further reductions can be made. The result of this process is then  $r$ . This reduction process is shown in Algorithm 2.

---

**Algorithm 2:** Polynomial Reduction

---

**Input:**  $f, f_1, \dots, f_s$   
**Output:**  $r, a_1, \dots, a_s$ , such that  $f = a_1 \cdot f_1 + \dots + a_s \cdot f_s + r$ .

```

1  $a_1 = a_2 = \dots = a_s = 0; r = 0;$ 
2  $p := f;$ 
3 while  $p \neq 0$  do
4    $i=1;$ 
5    $\text{divisionmark} = \text{false};$ 
6   while  $i \leq s \ \&\& \ \text{divisionmark} = \text{false}$  do
7     if  $f_i$  can divide  $p$  then
8        $a_i = a_i + \text{lt}(p)/\text{lt}(f_i);$ 
9        $p = p - \text{lt}(p)/\text{lt}(f_i) \cdot f_i;$ 
10       $\text{divisionmark} = \text{true};$ 
11     else
12        $i=i+1;$ 
13     end
14   end
15   if  $\text{divisionmark} = \text{false}$  then
16      $r = r + \text{lt}(p);$ 
17      $p = p - \text{lt}(p);$ 
18   end
19 end

```

---

The reduction algorithm keeps canceling the leading terms of polynomials until no more leading terms can be further canceled. So the key step is  $p = p - \text{lt}(p)/\text{lt}(f_i) \cdot f_i$ , as the following example shows.

**Example 4.3.** Given  $f = y^2 - x$  and  $f_1 = y - x$  in  $\mathbb{Q}[x, y]$  with  $\text{deglex}: y > x$ , perform  $f \xrightarrow{f_1}_+ r$ :

1.  $f = y^2 - x, f/f_1 = f - \text{lt}(f)/\text{lt}(f_1) \cdot f_1 = y^2 - x - (y^2/y) \cdot (y - x) = y \cdot x - x$
2.  $f = y \cdot x - x, f/f_1 = f - \text{lt}(f)/\text{lt}(f_1) \cdot f_1 = (y \cdot x - x)/f_1 = x^2 - x$
3.  $f = x^2 - x$ , no more operations possible, so  $r = x^2 - x$

### 4.1.2 Varieties and Ideals

In computer-algebra-based formal verification, it is often necessary to analyze the presence or absence of solutions to a given system of constraints. In our applications, these constraints are

polynomials and their solutions are modeled as **varieties**.

**Definition 4.11.** Let  $\mathbb{F}$  be a field, and let  $f_1, \dots, f_s \in \mathbb{F}[x_1, x_2, \dots, x_d]$ . We call  $V(f_1, \dots, f_s)$  the **affine variety** defined by  $f_1, \dots, f_s$  as:

$$V(f_1, \dots, f_s) = \{(a_1, \dots, a_d) \in \mathbb{F}^d : f_i(a_1, \dots, a_d) = 0, \forall i, 1 \leq i \leq s\} \quad (4.19)$$

$V(f_1, \dots, f_s) \in \mathbb{F}^d$  is **the set of all solutions** in  $\mathbb{F}^d$  of the system of equations:  $f_1(x_1, \dots, x_d) = \dots = f_s(x_1, \dots, x_d) = 0$ .

**Example 4.4.** Given  $\mathbb{R}[x, y]$ ,  $V(x^2 + y^2)$  is the set of all elements that satisfy  $x^2 + y^2 = 0$  over  $\mathbb{R}^2$ . So  $V(x^2 + y^2) = \{(0, 0)\}$ . Similarly, in  $\mathbb{R}[x, y]$ ,  $V(x^2 + y^2 - 1) = \{\text{all points on the circle : } x^2 + y^2 - 1 = 0\}$ . Note that varieties depend on which field we are operating on. For the same polynomial  $x^2 + 1$ , we have:

- In  $\mathbb{R}[x]$ ,  $V(x^2 + 1) = \emptyset$ .
- In  $\mathbb{C}[x]$ ,  $V(x^2 + 1) = \{\pm i\}$ .

The above example shows the variety can be infinite, finite (nonempty set) or empty. It is interesting to note that since we will be operating over finite fields  $\mathbb{F}_q$ , any finite set of points is a variety. Likewise, any variety over  $\mathbb{F}_q$  is finite (or empty). Consider the points  $\{(a_1, \dots, a_d) : a_1, \dots, a_d \in \mathbb{F}_q\}$  in  $\mathbb{F}_q^d$ . Any single point is a variety of some polynomial system: e.g.  $(a_1, \dots, a_d)$  is a variety of  $x_1 - a_1 = x_2 - a_2 = \dots = x_d - a_d = 0$ . **Finite unions** and **finite intersections** of varieties are also varieties.

**Example 4.5.** Let  $U = V(f_1, \dots, f_s)$  and  $W = V(g_1, \dots, g_t)$  in  $\mathbb{F}_q$ . Then:

- $U \cap W = V(f_1, \dots, f_s, g_1, \dots, g_t)$
- $U \cup W = V(f_i g_j : 1 \leq i \leq s, 1 \leq j \leq t)$

One important distinction we need to make about varieties is that a variety depends not just on the given system of polynomial equations, but rather on the **ideal** generated by the polynomials.

**Definition 4.12.** A subset  $I \subset \mathbb{F}[x_1, x_2, \dots, x_d]$  is an **ideal** if it satisfies:

- $0 \in I$

- $I$  is closed under addition:  $x, y \in I \Rightarrow x + y \in I$
- If  $x \in \mathbb{F}[x_1, x_2, \dots, x_d]$  and  $y \in I$ , then  $x \cdot y \in I$  and  $y \cdot x \in I$ .

An ideal is generated by its *basis* or *generators*.

**Definition 4.13.** Let  $f_1, f_2, \dots, f_s$  be polynomials of the ring  $\mathbb{F}[x_1, x_2, \dots, x_d]$ . Let  $I$  be an ideal generated by  $f_1, f_2, \dots, f_s$ . Then:

$$I = \langle f_1, \dots, f_s \rangle = \{h_1 f_1 + h_2 f_2 + \dots + h_s f_s : h_1, \dots, h_s \in \mathbb{F}[x_1, \dots, x_d]\}$$

then,  $f_1, \dots, f_s$  are called the **basis (or generators)** of the ideal  $I$  and correspondingly  $I$  is denoted as  $I = \langle f_1, f_2, \dots, f_s \rangle$ .

**Example 4.6.** The set of even integers, which is a subset of the ring of integers  $Z$ , forms an ideal of  $Z$ . This can be seen from the following;

- 0 belongs to the set of even integers.
- The sum of two even integers  $x$  and  $y$  is always an even integer.
- The product of any integer  $x$  with an even integer  $y$  is always an even integer.

**Example 4.7.** Given  $\mathbb{R}[x, y]$ ,  $I = \langle x, y \rangle$  is an ideal containing all polynomials generated by  $x$  and  $y$ , such as  $x^2 + y$  and  $x + x \cdot y$ . The ideal  $J = \langle x^2, y^2 \rangle$  is an ideal containing all polynomials generated by  $x^2$  and  $y^2$ , such as  $x^2 + y^3$  and  $x^{10} + x^2 \cdot y^2$ . Notice that  $J \subset I$  because every polynomial generated by  $J$  can be generated by  $I$ . But  $I \neq J$  because  $x + y$  can only be generated by  $I$ .

The same ideal may have many different bases. For instance, it is possible to have different sets of polynomials  $\{f_1, \dots, f_s\}$  and  $\{g_1, \dots, g_t\}$  that may generate the same ideal, i.e.,  $\langle f_1, \dots, f_s \rangle = \langle g_1, \dots, g_t \rangle$ . Since variety depends on the ideal, these sets of polynomials have the same solutions.

**Proposition 4.1.** If  $f_1, \dots, f_s$  and  $g_1, \dots, g_t$  are bases of the same ideal in  $\mathbb{F}[x_1, \dots, x_d]$ , so that  $\langle f_1, \dots, f_s \rangle = \langle g_1, \dots, g_t \rangle$ , then  $V(f_1, \dots, f_s) = V(g_1, \dots, g_t)$ .

**Example 4.8.** Consider the two bases  $F_1 = \{(2x^2 + 3y^2 - 11, x^2 - y^2 - 3)\}$  and  $F_2 = \{x^2 - 4, y^2 - 1\}$ . These two bases generate the same ideal, i.e.,  $\langle F_1 \rangle = \langle F_2 \rangle$ . Therefore, they represent the same variety, i.e.,

$$V(F_1) = V(F_2) = \{\pm 2, \pm 1\}. \quad (4.20)$$

Ideals and their varieties are a key part of computer-algebra-based formal verification. A given hardware design can be transformed into a set of polynomials over a field,  $F = \{f_1, \dots, f_s\}$ . This set of polynomials gives the system of equations:

$$\begin{aligned} f_1 &= 0 \\ &\vdots \\ f_s &= 0 \end{aligned}$$

Using algebra, it is possible to derive new equations from the original system. The ideal  $\langle f_1, \dots, f_s \rangle$  provides a way of analyzing such *consequences* of a system of polynomials.

**Example 4.9.** Given two equations in  $\mathbb{R}[x, y, z]$ :

$$\begin{aligned} x &= z + 1 \\ y &= x^2 + 1 \end{aligned}$$

we can eliminate  $x$  to obtain a new equation:

$$y = (z + 1)^2 + 1 = z^2 + 2z + 2$$

Let  $f_1, f_2, h \in \mathbb{R}[x, y, z]$  be polynomials based on these equations:

$$\begin{aligned} f_1 &= x - z - 1 &= 0 \\ f_2 &= y - x^2 - 1 &= 0 \\ h &= y - z^2 - 2z - 2 &= 0 \end{aligned}$$

If  $I$  is the ideal generated by  $f_1$  and  $f_2$ , i.e.,  $I = \langle f_1, f_2 \rangle$ , then we find  $h \in I$  as follows:

$$\begin{aligned} g_1 &= x + z + 1 \\ g_2 &= 1 \\ h &= g_1 \cdot f_1 + g_2 \cdot f_2 = y - z^2 - 2z - 2 \end{aligned}$$

where  $g_1, g_2 \in \mathbb{R}[x, y, z]$ . Thus, we call  $h$  a **member of the ideal  $I$** .

Let  $\mathbb{F}$  be any field and let  $\mathbf{a} = (a_1, \dots, a_d) \in \mathbb{F}^d$  be a point, and  $f \in \mathbb{F}[x_1, \dots, x_d]$  be a polynomial. We say that  $f$  *vanishes* on  $\mathbf{a}$  if  $f(\mathbf{a}) = 0$ , i.e.,  $\mathbf{a}$  is in the variety of  $f$ .

**Definition 4.14.** For any variety  $V$  of  $\mathbb{F}^d$ , the ideal of polynomials that vanish on  $V$ , called the *vanishing ideal* of  $V$ , is defined as **ideal of variety**:

$$I(V) = \{f \in \mathbb{F}[x_1, \dots, x_d] : \forall \mathbf{a} \in V, f(\mathbf{a}) = 0\}$$

**Proposition 4.2.** If a polynomial  $f$  vanishes on a variety  $V$ , then  $f \in I(V)$ .

**Example 4.10.** Let ideal  $J = \langle x^2, y^2 \rangle$ . Then  $V(J) = \{(0, 0)\}$ . All polynomials in  $J$  will obviously agree with the solution and vanish on this variety. However, the polynomials  $x, y$  are not in  $J$  but they also vanish on this variety. Therefore,  $I(V(J))$  is the set of all polynomials that vanish on  $V(J)$ , and the polynomials  $x, y$  are members of  $I(V(J))$ .

**Definition 4.15.** Let  $J \subset \mathbb{F}[x_1, \dots, x_d]$  be an ideal. The **radical** of  $J$  is defined as  $\sqrt{J} = \{f \in \mathbb{F}[x_1, \dots, x_d] : \exists m \in \mathbb{N}, f^m \in J\}$ .

**Example 4.11.** Let  $J = \langle x^2, y^2 \rangle \subset \mathbb{F}[x, y]$ . Neither  $x$  nor  $y$  belongs to  $J$ , but they belong to  $\sqrt{J}$ . Similarly,  $x \cdot y \notin J$ , but since  $(x \cdot y)^2 = x^2 \cdot y^2 \in J$ , therefore,  $x \cdot y \in \sqrt{J}$ .

When  $J = \sqrt{J}$ , then  $J$  is said to be a *radical ideal*. Moreover,  $I(V)$  is a radical ideal. By analyzing the ideal  $J$ , generated by a system of polynomials derived from a hardware design, its variety  $V(J)$ , and the ideal of polynomials that vanish over this variety,  $I(V(J))$ , we can reason about the existence of certain properties of the design. To check for the validity of a property, we formulate the property as a polynomial and then perform an **ideal membership test** to determine if this polynomial is contained within the ideal  $I(V(J))$ . A **Gröbner basis** provides a decision procedure for performing this test, which is described in the following part.

### 4.1.3 Gröbner Bases

As mentioned earlier, different polynomial sets may generate the same ideal. Some of these generating sets may be a better representation of the ideal, and thus provide more information and insight into the properties of the ideal. One such ideal representation is a **Gröbner basis**, which has a number of important properties that can solve numerous polynomial decision questions; the following are used in this dissertation:

- Check for presence or absence of solutions (varieties)
- Compute dimension of the varieties
- Test ideal membership of a polynomial
- Find projection of varieties by eliminating variables in LEX order

In essence, a Gröbner basis is a canonical representation of an ideal. There are many equivalent definitions of Gröbner bases, so we start with the definition that best describes their properties:

**Definition 4.16.** *A set of non-zero polynomials  $G = \{g_1, \dots, g_t\}$  which generate the ideal  $I = \langle g_1, \dots, g_t \rangle$ , is called a **Gröbner basis** for  $I$  if and only if for all  $f \in I$  where  $f \neq 0$ , there exists a  $g_i \in G$  such that  $lm(g_i)$  divides  $lm(f)$ .*

$$G = \text{GröbnerBasis}(I) \iff \forall f \in I : f \neq 0, \exists g_i \in G : lm(g_i) \mid lm(f) \quad (4.21)$$

Gröbner basis has an important property, and therefore can be used to perform an ideal membership test. Formally speaking, a Gröbner basis gives a decision procedure to test for polynomial membership in an ideal. This is explained in the following Theorem.

**Theorem 4.1. Ideal Membership Test** *Let  $G = \{g_1, \dots, g_t\}$  be a Gröbner basis for an ideal  $I \subset \mathbb{K}[x_1, \dots, x_d]$  and let  $f \in \mathbb{K}[x_1, \dots, x_d]$ . Then  $f \in I$  if and only if the remainder on division of  $f$  by  $G$  is zero.*

In other words,

$$f \in I \iff f \xrightarrow{G} 0 \quad (4.22)$$

**Example 4.12.** *Consider Example 4.13. Let  $f = y^2x - x$  be another polynomial. Note that  $f = yf_1 + f_2$ , so  $f \in I$ . If we divide  $f$  by  $f_1$  first and then by  $f_2$ , we will obtain a zero remainder. However, since the set  $\{f_1, f_2\}$  is not a Gröbner basis, we find that the reduction  $f \xrightarrow{f_2} x^2 - x \xrightarrow{f_1} x^2 - x \neq 0$ ; i.e., dividing  $f$  by  $f_2$  first and then by  $f_1$  does not lead to a zero remainder. However, if we compute the Gröbner basis  $G$  of  $I$ ,  $G = \{x^2 - x, yx - y, y^2 - x\}$ , dividing  $f$  by polynomials in  $G$  in any order will always lead to the zero remainder. Therefore, one can decide ideal membership unequivocally using the Gröbner basis.*

The foundation for computing the Gröbner basis of an ideal was laid out by Buchberger [114]. Given a set of polynomials  $F = \{f_1, \dots, f_s\}$  that generate ideal  $I = \langle f_1, \dots, f_s \rangle$ , Buchberger gives

an algorithm to compute a Gröbner basis  $G = \langle g_1, \dots, g_t \rangle$ . This algorithm relies on the notions of  $S$ -polynomials and polynomial reduction.

**Definition 4.17.** For  $f, g \in \mathbb{F}[x_1, \dots, x_d]$ , an **S-polynomial**  $Spoly(f, g)$  is defined as:

$$Spoly(f, g) = \frac{L}{lt(f)} \cdot f - \frac{L}{lt(g)} \cdot g \quad (4.23)$$

where  $L = lcm(lt(f), lt(g))$

Note  $lcm$  denotes least common multiple.

With the notions of  $S$ -polynomials and polynomial reduction in place, we can now present Buchberger's Algorithm for computing Gröbner bases [114]. Note that a fixed monomial (term) ordering is required for a Gröbner basis computation to ensure that polynomials are manipulated in a consistent manner.

---

**Algorithm 3:** Buchberger's Algorithm

---

**Input:**  $F = \{f_1, \dots, f_s\}$ , such that  $I = \langle f_1, \dots, f_s \rangle$ , and term order  $>$

**Output:**  $G = \{g_1, \dots, g_t\}$ , a Gröbner basis of  $I$

```

1  $G := F$ ;
2 repeat
3    $G' := G$ ;
4   for each pair  $\{f_i, f_j\}, i \neq j$  in  $G'$  do
5      $Spoly(f_i, f_j) \xrightarrow{G'} r$ ;
6     if  $r \neq 0$  then
7        $G := G \cup \{r\}$ ;
8     end
9   end
10 until  $G = G'$ ;
```

---

Buchberger's algorithm takes pairs of polynomials  $(f_i, f_j)$  in the basis  $G$  and combines them into " $S$ -polynomials" ( $Spoly(f_i, f_j)$ ) to cancel leading terms. The  $S$ -polynomial is then reduced (divided) by all elements of  $G$  to a remainder  $r$ , denoted as  $Spoly(f_i, f_j) \xrightarrow{G} r$ . This process is repeated for all unique pairs of polynomials, including those created by newly added elements, until no new polynomials are generated; ultimately constructing the Gröbner basis.

**Example 4.13.** Consider the ideal  $I \subset \mathbb{Q}[x, y]$ ,  $I = \langle f_1, f_2 \rangle$ , where  $f_1 = yx - y$ ,  $f_2 = y^2 - x$ . Assume a degree-lexicographic term ordering with  $y > x$  imposed.

First, we need to compute  $Spoly(f_1, f_2) = x \cdot f_2 - y \cdot f_1 = y^2 - x^2$ . Then we conduct a polynomial reduction  $y^2 - x^2 \xrightarrow{f_2} x^2 - x \xrightarrow{f_1} x^2 - x$ . Let  $f_3 = x^2 - x$ . Then  $G$  is updated as  $\{f_1, f_2, f_3\}$ . Next we compute  $Spoly(f_1, f_3) = 0$ . So there is no new polynomial generated.

Similarly, we compute  $\text{Spoly}(f_2, f_3) = x \cdot y^2 - x^3$ , followed by  $x \cdot y^2 - x^3 \xrightarrow{f_1} y^2 - x^3 \xrightarrow{f_2} x - x^3 \xrightarrow{f_2} 0$ . Again, no polynomial is generated. Finally,  $G = \{f_1, f_2, f_3\}$ .

When computing a Gröbner basis, it is important to note that if  $\text{lt}(f_i)$  and  $\text{lt}(f_j)$  have no common variables, the  $\text{Spoly}$  reduction step in Buchberger's algorithm will reduce to 0.

**Lemma 4.1.** *In Buchberger's algorithm, when  $\gcd(\text{lt}(f_i), \text{lt}(f_j)) = 0$ , the  $\text{Spoly}$  reduction*

$$\text{Spoly}(f_i, f_j) \xrightarrow{G'}_+ r$$

will produce  $r = 0$ .

**Proof.** If  $\text{lt}(f)$  and  $\text{lt}(g)$  have no common variables,  $L = \text{lcm}(\text{lt}(f), \text{lt}(g)) = \text{lt}(f) \cdot \text{lt}(g)$ . Then:

$$\text{Spoly}(f, g) = \frac{L}{\text{lt}(f)} \cdot f - \frac{L}{\text{lt}(g)} \cdot g = \frac{\text{lt}(f) \cdot \text{lt}(g)}{\text{lt}(f)} \cdot f - \frac{\text{lt}(f) \cdot \text{lt}(g)}{\text{lt}(g)} \cdot g = \text{lt}(g) \cdot f - \text{lt}(f) \cdot g$$

Thus, every monomial in  $\text{Spoly}(f, g)$  is divisible by either  $\text{lt}(f)$  or  $\text{lt}(g)$ , so computing the remainder of  $\text{Spoly}(f, g) \xrightarrow{f, g}_+ r$  will give  $r = 0$ . ■

A Gröbner basis is not a canonical representation of an ideal, but a **reduced Gröbner basis** is. To compute a reduced Gröbner basis, we first must compute a minimal Gröbner basis.

**Definition 4.18.** *A minimal Gröbner basis for a polynomial ideal  $I$  is a Gröbner basis  $G$  for  $I$  such that*

- $\text{lc}(g_i) = 1, \forall g_i \in G$
- $\forall g_i \in G, \text{lt}(g_i) \notin \langle \text{lt}(G - \{g_i\}) \rangle$

A **minimal** Gröbner basis is a Gröbner basis such that all polynomials have a coefficient of 1 and no leading term of any element in  $G$  divides another in  $G$ . Given a Gröbner basis  $G$ , a minimal Gröbner basis can be computed as follows:

1. Minimize every  $g_i \in G$ , i.e.,  $g_i = g_i/\text{lc}(g_i)$ .
2. For  $g_i, g_j \in G$  where  $i \neq j$ , remove  $g_i$  from  $G$  if  $\text{lt}(g_i) \mid \text{lt}(g_j)$ , i.e., remove every polynomial in  $G$  whose leading term is divisible by the leading term of some other polynomial in  $G$ .

A minimal Gröbner basis can then be further reduced.



**Definition 4.19.** A **reduced Gröbner basis** for a polynomial ideal  $I$  is a Gröbner basis  $G = \{g_1, \dots, g_t\}$  such that:

- $lc(g_i) = 1, \forall g_i \in G$
- $\forall g_i \in G$ , no monomial of  $g_i$  lies in  $\langle lt(G - \{g_i\}) \rangle$

$G$  is a reduced Gröbner basis when no monomial of any element in  $G$  divides the leading term of another element. This reduction is achieved as follows:

**Definition 4.20.** Let  $H = \{h_1, \dots, h_t\}$  be a minimal Gröbner basis. Apply the following reduction process:

- $h_1 \xrightarrow{G_1}_+ g_1$ , where  $g_1$  is reduced w.r.t.  $G_1 = \{h_2, \dots, h_t\}$
- $h_2 \xrightarrow{G_2}_+ g_2$ , where  $g_2$  is reduced w.r.t.  $G_2 = \{g_1, h_3, \dots, h_t\}$
- $h_3 \xrightarrow{G_3}_+ g_3$ , where  $g_3$  is reduced w.r.t.  $G_3 = \{g_1, g_2, h_4, \dots, h_t\}$
- $\vdots$
- $h_t \xrightarrow{G_t}_+ g_t$ , where  $g_t$  is reduced w.r.t.  $G_t = \{g_1, g_2, g_3, \dots, g_{t-1}\}$

Then  $G = \{g_1, \dots, g_t\}$  is a **reduced Gröbner basis**.

Subject to the given term order  $>$ , such a reduced Gröbner basis  $G = \{g_1, \dots, g_t\}$  is a **unique canonical representation of the ideal**, as given by Proposition 4.3 below.

**Proposition 4.3.** [17] Let  $I \neq \{0\}$  be a polynomial ideal. Then, for a given monomial ordering,  $I$  has a unique reduced Gröbner basis.

The high computational complexity of the Gröbner basis problem is an important issue because of its high cost in time and space. Concretely, for an arbitrary polynomial set, the worst case computation time/space cost of its Gröbner basis is doubly exponential, as the total degree of polynomials in the Gröbner basis is bounded by  $O(2(\frac{1}{2}d^2 + d)^{2^{n-1}})$  where  $d$  is the degree of the ideal and  $n$  is the number of variables [18]. However, in situations such as applications of circuit verification, the polynomial is well restricted rather than arbitrary. Gao *et al.* [98] prove that in zero-dimensioned ideals, the complexity reduces to single exponential  $q^{O(|\phi|)}$ . This provides the

possibility to make use of Gröbner basis under restricted situations, which is the theoretical basis of this dissertation.

Gröbner basis computation depends on the *Spoly* computation, which in turn depends on the leading terms of polynomials. Thus, different monomial orderings can result in different Gröbner basis computations for the same ideal. Computation using a DEGREVLEX ordering tends to be least difficult, while lex ordering tends to be computationally complex. However, lex ordering used in the computation of Gröbner basis is an **elimination ordering**; that is, the polynomials contained in the resulting Gröbner basis have continuously eliminated variables in the ordering. This is the topic of elimination theory, which is described in the following sections as well as its theoretic basis – the Nullstellensatz theory.

## 4.2 Hilbert's Nullstellensatz

In this section, we further describe some correspondence between ideals and varieties in the context of algebraic geometry. The celebrated results of Hilbert's Nullstellensatz establish these correspondences.

**Definition 4.21.** *A field  $\overline{\mathbb{F}}$  is an **algebraically closed** field if every polynomial in one variable with degree at least 1, with coefficients in  $\overline{\mathbb{F}}$ , has a root in  $\overline{\mathbb{F}}$ .*

In other words, any nonconstant polynomial equation over  $\overline{\mathbb{F}}[x]$  always has at least one root in  $\overline{\mathbb{F}}$ . Every field  $\mathbb{F}$  is contained in an algebraically closed one  $\overline{\mathbb{F}}$ . For example, the field of real numbers  $\mathbb{R}$  is not an algebraically closed field, because  $x^2 + 1 = 0$  has no root in  $\mathbb{R}$ . However,  $x^2 + 1 = 0$  has roots in the field of complex numbers  $\mathbb{C}$ , which is an algebraically closed field. In fact,  $\mathbb{C}$  is the algebra closure of  $\mathbb{R}$ . Every algebraically closed field is an infinite field.

**Theorem 4.2** (Weak Nullstellensatz). *Let  $J \subset \overline{\mathbb{F}}[x_1, x_2, \dots, x_d]$  be an ideal satisfying  $V(J) = \emptyset$ . Then  $J = \overline{\mathbb{F}}[x_1, x_2, \dots, x_d]$ , or equivalently,*

$$V(J) = \emptyset \iff J = \overline{\mathbb{F}}[x_1, x_2, \dots, x_d] = \langle 1 \rangle \quad (4.24)$$

**Corollary 4.1.** *Let  $J = \langle f_1, \dots, f_s \rangle \subset \overline{\mathbb{F}}[x_1, x_2, \dots, x_d]$ . Let  $G$  be the reduced Gröbner basis of  $J$ . Then  $V(J) = \emptyset \iff G = \{1\}$ .*

**Weak Nullstellensatz** offers a way to evaluate whether or not the system of multivariate polynomial equations (ideal  $J$ ) has common solutions in  $\overline{\mathbb{F}}^d$ . For this purpose, we only need to check

if the ideal is generated by the unit element, i.e.,  $1 \in J$ . This approach can be used to evaluate the feasibility of constraints in verification problems. An interesting result is one of **Strong Nullstellensatz**. The strong Nullstellensatz establishes the correspondence between radical ideals and varieties.

**Theorem 4.3** (Strong Nullstellensatz [17]). *Let  $\overline{\mathbb{F}}$  be an algebraically closed field, and let  $J$  be an ideal in  $\overline{\mathbb{F}}[x_1, \dots, x_d]$ . Then we have  $I(V_{\overline{\mathbb{F}}}(J)) = \sqrt{J}$ .*

Strong Nullstellensatz holds a special form over Galois fields  $\mathbb{F}_q$ . Recall the notion of vanishing polynomials over Galois fields from the previous chapter: for every element  $A \in \mathbb{F}_q$ ,  $A - A^q = 0$ ; then the polynomial  $x^q - x$  in  $\mathbb{F}_q[x]$  vanishes over  $\mathbb{F}_q$ . Thus, if  $J_0 = \langle x^q - x \rangle$  is the ideal generated by the vanishing polynomial,  $V(J_0) = \mathbb{F}_q$ . Similarly, over  $\mathbb{F}_q[x_1, \dots, x_d]$ ,  $J_0$  is  $\langle x_1^q - x_1, \dots, x_d^q - x_d \rangle$  and  $V(J_0) = (\mathbb{F}_q)^d$ .

**Definition 4.22.** *Given two ideals,  $I_1 = \langle f_1, \dots, f_s \rangle$  and  $I_2 = \langle g_1, \dots, g_t \rangle$ , then the **sum of ideals**  $I_1 + I_2 = \langle f_1, \dots, f_s, g_1, \dots, g_t \rangle$ .*

**Theorem 4.4.** (Strong Nullstellensatz over  $\mathbb{F}_q$ ) *For any Galois field  $\mathbb{F}_q$ , let  $J \subset \mathbb{F}_q[x_1, \dots, x_d]$  be any ideal and let  $J_0 = \langle x_1^q - x_1, \dots, x_d^q - x_d \rangle$  be the ideal of all vanishing polynomials. Let  $V_{\mathbb{F}_q}(J)$  denote the variety of  $J$  over  $\mathbb{F}_q$ . Then,  $I(V_{\mathbb{F}_q}(J)) = J + J_0$ .*

The proof is given in [115]. Here, we provide a proof outline.

**Proof.**

- 1)  $\sqrt{J + J_0} = J + J_0$ . That is,  $J + J_0$  is a radical ideal (Lemma 2.1 in [98]).
- 2)  $V_{\mathbb{F}_q}(J) = V_{\mathbb{F}_q}(J + J_0)$ .
- 3) Due to 2),  $I(V_{\mathbb{F}_q}(J)) = I(V_{\mathbb{F}_q}(J + J_0))$ . By Strong Nullstellensatz, this is equivalent to  $\sqrt{J + J_0}$ . Finally, due to 1), this is equivalent to  $J + J_0$ .

■

Using this result, Weak Nullstellensatz can be modified to be applicable over finite fields  $\mathbb{F}_q$ .

**Theorem 4.5** (Weak Nullstellensatz in  $\mathbb{F}_q$  [116]). *Given  $f_1, f_2, \dots, f_s \in \mathbb{F}_q[x_1, x_2, \dots, x_d]$ . Let  $J = \langle f_1, f_2, \dots, f_s \rangle \subset \mathbb{F}_q[x_1, x_2, \dots, x_d]$  be an ideal. Let  $J_0 = \langle x_1^{2^k} - x_1, x_2^{2^k} - x_2, \dots, x_d^{2^k} - x_d \rangle$*

be the ideal of vanishing polynomials in  $\mathbb{F}_q$ . Then  $V_{\mathbb{F}_q}(J) = V_{\overline{\mathbb{F}_q}}(J + J_0) = \emptyset$ , if and only if the reduced Gröbner Basis  $RGB(J + J_0) = \{1\}$ .

The proof is given in [116]. Here, we provide a proof outline.

**Proof.** The variety of  $J$  over  $\mathbb{F}_q[x_1, x_2, \dots, x_d]$  is equivalent to the variety over the algebraic closure of  $\mathbb{F}_q$  intersected by the entire field  $\mathbb{F}_q$ . That is,  $V_{\mathbb{F}_q}(J) = V_{\overline{\mathbb{F}_q}}(J) \cap \mathbb{F}_q$ .

Let  $J_0 = \langle x_1^{2^k} - x_1, x_2^{2^k} - x_2, \dots, x_d^{2^k} - x_d \rangle$  be the ideal generated by all vanishing polynomials in  $\mathbb{F}_q[x_1, x_2, \dots, x_d]$ . Then  $V_{\overline{\mathbb{F}_q}}(J_0) = \mathbb{F}_q$ .

Thus,  $V_{\mathbb{F}_q}(J) = V_{\overline{\mathbb{F}_q}}(J) \cap V_{\overline{\mathbb{F}_q}}(J_0) = V_{\overline{\mathbb{F}_q}}(J + J_0)$ . ■

### 4.3 Elimination Theory and Application to Abstraction

Elimination of certain variables in a system of polynomials is a common operation when some variables are not needed in modeling and analysis. In this section, eliminating variables targets a tight-bound overapproximation. This is equivalent to the existential quantifier elimination in first-order logic, or variable smoothing in Boolean operations. We introduce an elimination method based on algebraic geometry concepts, and use it as the fundamental of abstraction of a circuit.

#### 4.3.1 Elimination Theory

Assume we are given a set of polynomials  $f_1, \dots, f_s$  from a ring  $\mathbb{F}_q[x_1, \dots, x_l, \dots, x_d]$ . First, we show that eliminating  $x_1, \dots, x_l$  variables related to *projecting* the variety  $V(\langle f_1, \dots, f_s \rangle)$  from  $\mathbb{F}_q^d$  to  $\mathbb{F}_q^{d-l}$ . Figure 4.1 is an example of projection in space of varieties from  $\mathbb{F}_q^3$  to  $\mathbb{F}_q^2$ , corresponding to eliminating variable  $x_1$  from a system of polynomials belonging to  $\mathbb{F}_q[x_1, x_2, x_3]$ .

Formally, we define concepts of the projection and elimination ideals:

**Definition 4.23.** *The  $l$ -th projection mapping is defined as:*

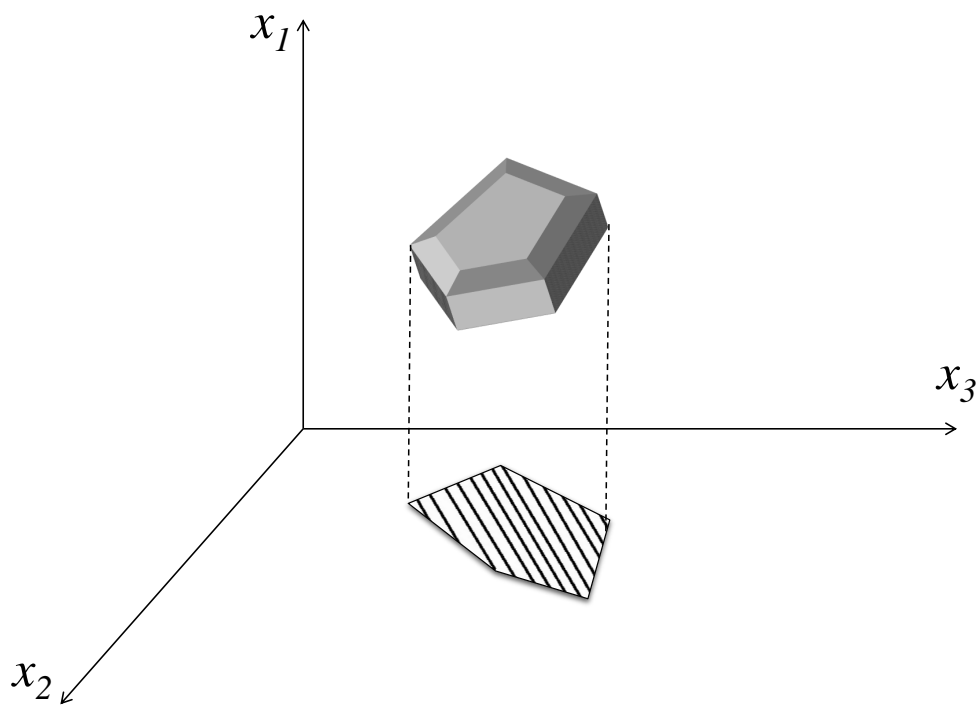
$$\pi_l : \mathbb{F}_q^d \rightarrow \mathbb{F}_q^{d-l}, \quad \pi_l((x_1, \dots, x_d)) = (x_{l+1}, \dots, x_d)$$

where  $l < d$ . For any subset  $V \subseteq \mathbb{F}_q^d$ , we write

$$\pi_l(V) = \{\pi_l(x) : x \in V\} \subseteq \mathbb{F}_q^{d-l}$$

**Definition 4.24.** *Let  $J$  be an ideal in  $\mathbb{F}_q[x_1, \dots, x_d]$ . The  $l$ -th elimination ideal  $J_l$  is the ideal of  $\mathbb{F}_q[x_{l+1}, \dots, x_d]$  defined by*

$$J_l = J \cap \mathbb{F}_q[x_{l+1}, \dots, x_d] \tag{4.25}$$



**Figure 4.1:** An example of projection from  $\mathbb{F}_q^3$  to  $\mathbb{F}_q^2$ .

The elimination ideal  $J_l$  has eliminated all the variables  $x_1, \dots, x_l$ , i.e., it only contains polynomials with variables in  $x_{l+1}, \dots, x_d$ . In a general setting,  $\pi_l(V_d(J))$  from  $\mathbb{F}_q^d$  to  $\mathbb{F}_q^{d-l}$  is a subset of  $V(J_l)$ . But over  $\mathbb{F}_q$ , consider ideal  $J + J_0$  where  $J_0$  is the ideal of vanishing polynomials, it is proved in [98] that

$$\pi_l(V(J + J_0)) = V((J + J_0)_l).$$

This shows that in finite fields, projection of the variety  $V_d(\langle f_1, \dots, f_s \rangle)$  from  $\mathbb{F}_q^d$  to  $\mathbb{F}_q^{d-l}$ , is exactly the variety  $V_{d-l}(\langle f_1, \dots, f_s \rangle \cap \mathbb{F}_q[x_{l+1}, \dots, x_d])$ .

Elimination theory uses **elimination ordering** to systematically eliminate variables from a system of polynomial equations. We can generate elimination ideals by computing Gröbner bases using elimination orderings.

**Theorem 4.6** (Elimination Theorem). *Let  $J$  be an ideal in  $\mathbb{F}[x_1, \dots, x_d]$  and let  $G$  be the Gröbner basis of  $J$  with respect to the lex order (elimination order)  $x_1 > x_2 > \dots > x_d$ . Then, for every  $0 \leq l \leq d$ ,*

$$G_l = G \cap \mathbb{F}[x_{l+1}, \dots, x_d] \tag{4.26}$$

*is a Gröbner basis of the  $l$ -th elimination ideal  $J_l$ .*

This can be better understood using the following example.

**Example 4.14.** *Given the following equations in  $\mathbb{R}[x, y, z]$*

$$x^2 + y + z = 1$$

$$x + y^2 + z = 1$$

$$x + y + z^2 = 1$$

*let  $I$  be the ideal generated by these equations:*

$$I = \langle x^2 + y + z - 1, x + y^2 + z - 1, x + y + z^2 - 1 \rangle$$

*The Gröbner basis for  $I$  with respect to lex order  $x > y > z$  is found to be  $G = \{g_1, g_2, g_3, g_4\}$  where*

$$\begin{aligned}
g_1 &= x + y + z^2 - 1 \\
g_2 &= y^2 - y - z^2 + z \\
g_3 &= 2yz^2 + z^4 - z^2 \\
g_4 &= z^6 - 4z^4 + 4z^3 - z^2
\end{aligned}$$

Notice that while  $g_1$  has variables in  $\mathbb{R}[x, y, z]$ ,  $g_2$  and  $g_3$  only have variables in  $\mathbb{R}[y, z]$  and  $g_4$  only has variables in  $\mathbb{R}[z]$ . Thus,  $G_1 = G \cap \mathbb{R}[y, z] = \{g_2, g_3, g_4\}$  and  $G_2 = G \cap \mathbb{R}[z] = \{g_4\}$

Also notice that since  $g_4$  only contains variable  $z$ , and since  $g_4 = 0$ , a solution for  $z$  can be obtained. This solution can then be applied to  $g_2$  and  $g_3$  to obtain solutions for  $y$ , and so on.

Elimination theory provides the basis for the following abstraction approach.

### 4.3.2 Abstraction Using Nullstellensatz and Gröbner Basis

**Problem Setup 4.1.** Let  $S$  be the system of polynomials,  $\{f_1, \dots, f_s, f_{A_1}, \dots, f_{A_n}, f_Z\} \subset \mathbb{F}_{2^k}$ , derived from the hardware implementation of any circuit over  $\mathbb{F}_q, q = 2^k$ , as Figure 4.2 shows. In general, this circuit performs some unknown function  $f$  over  $\mathbb{F}_q$  such that every  $f : \mathbb{F}_q \rightarrow \mathbb{F}_q$  is represented in polynomial form. For any circuit  $\mathcal{C}$ ,  $Z = \mathcal{F}(A)$ . Then how to derive this function  $\mathcal{F}$  using GB?

The polynomial representation of  $\mathcal{F}$  over  $\mathbb{F}_{2^k}$  is:

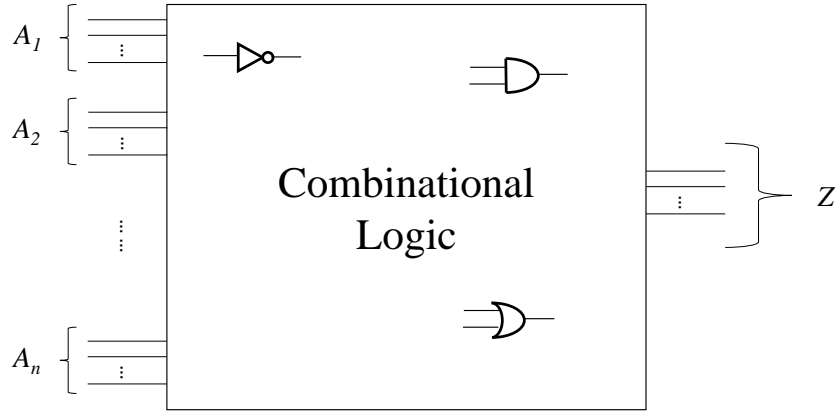
$$f_{\mathcal{F}} : Z + \mathcal{F}(A_1, \dots, A_n)$$

Since  $f_{\mathcal{F}}$  is ultimately derived from the circuit implementation, it agrees with the solution to the system of polynomials  $\{S\} = 0$ , i.e.,:

$$f_1 = \dots = f_s = f_{A_1} = \dots = f_{A_n} = f_Z = 0$$

Thus, if we let  $J = \langle f_1, \dots, f_s, f_{A_1}, \dots, f_{A_n}, f_Z \rangle$  be the ideal generated by  $S$ ,  $f_{\mathcal{F}}$  **vanishes** on the variety  $V_{\mathbb{F}_{2^k}}(J)$ . Therefore, due to Proposition 4.2,  $f_{\mathcal{F}}$  must be contained in the ideal of polynomials that vanish on this variety,  $f_{\mathcal{F}} \in I(V_{\mathbb{F}_{2^k}}(J))$ .

By applying Strong Nullstellensatz over  $\mathbb{F}_{2^k}$  (Theorem 4.3),  $I(V_{\mathbb{F}_{2^k}}(J)) = J + J_0$  where  $J_0$  is the ideal generated by all vanishing polynomials in  $\mathbb{F}_{2^k}$ . Recall that a vanishing polynomial in



**Figure 4.2:** Galois field arithmetic circuit model for abstraction.

$\mathbb{F}_{2^k}[x]$  is  $x^q - x = x^q + x$ . In our case,  $\{x_1, \dots, x_d\} \in \mathbb{F}_2$  and  $\{A_1, \dots, A_n, Z\} \in \mathbb{F}_{2^k}$ . Thus, for  $\mathbb{F}_{2^k}[x_1, \dots, x_d, A_1, \dots, A_n, Z]$ :

$$J_0 = \langle x_1^2 + x_1, \dots, x_d^2 + x_d, A_1^{2^k} + A_1, \dots, A_n^{2^k} + A_n, Z^{2^k} + Z \rangle$$

The generators of the ideal sum  $J + J_0$  are simply the combination of the generators of  $J$  and the generators  $J_0$ .

The variety  $V_{\mathbb{F}_q}(J)$  is the set of all consistent assignments to the nets (signals) in the circuit  $C$ . If we project this variety on the word-level input and output variables of the circuit  $C$ , we essentially generate the function  $\mathcal{F}$  implemented by the circuit. Projection of varieties from  $d$ -dimensional space  $\mathbb{F}_q^d$  onto a lower dimensional subspace  $\mathbb{F}_q^{d-l}$  is equivalent to eliminating  $l$  variables from the corresponding ideal. This can be done by computing a Gröbner basis of the ideal with elimination ordering, as described in the Elimination Theorem (Theorem 4.6). Thus, we can find the polynomial  $f_{\mathcal{F}} : Z + \mathcal{F}(A_1, \dots, A_n)$  by computing the Gröbner basis of  $J + J_0$  using the proper elimination ordering.

The proposed elimination order for abstraction is defined as the **abstraction term order**.

**Definition 4.25.** Given a circuit  $C$ , let  $x_1, \dots, x_d$  denote all the bit-level variables, let  $A_1, \dots, A_n$



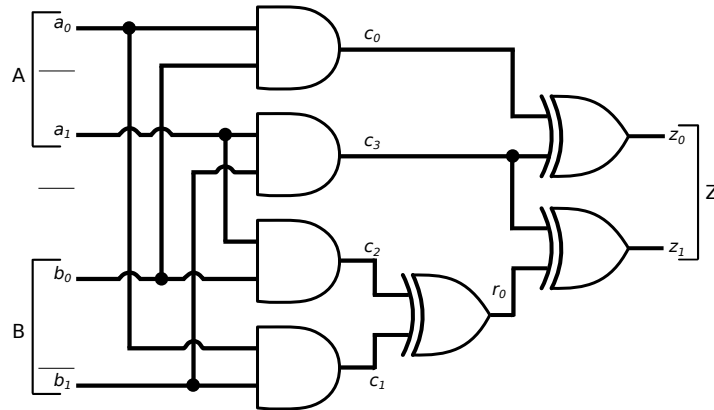
denote the  $k$ -bit word-level inputs, and let  $Z$  denote the  $k$ -bit word-level output. Using any refinement of the partial variable order  $\{x_1, \dots, x_d\} > Z > \{A_1, \dots, A_n\}$ , impose a lex term order  $>$  on the polynomial ring  $R = \mathbb{F}_q[x_1, \dots, x_d, Z, A_1, \dots, A_n]$ . This elimination term order  $>$  is defined as the **Abstraction Term Order (ATO)**. The relative ordering among  $x_1, \dots, x_d$  is not important and can be chosen arbitrarily. Likewise, the relative ordering among  $A_1, \dots, A_n$  is also unimportant.

**Theorem 4.7** (Abstraction Theorem [20]). *Using the notations from Problem Setup 4.1 at the beginning of this subsection, we compute a Gröbner basis  $G$  of ideal  $(J + J_0)$  using the abstraction term order  $>$ . Then:*

- 1) For every word-level input  $A_i$ ,  $G$  must contain the vanishing polynomial  $A_i^q - A_i$  as the only polynomial with  $A_i$  as its only variable;
- 2)  $G$  must contain a polynomial of the form  $Z + \mathcal{G}(A_1, \dots, A_n)$ ; and
- 3)  $Z + \mathcal{G}(A_1, \dots, A_n)$  is such that  $\mathcal{F}(A_1, \dots, A_n) = \mathcal{G}(A_1, \dots, A_n), \forall A_1, \dots, A_n \in \mathbb{F}_q$ . In other words,  $\mathcal{G}(A_1, \dots, A_n)$  and  $\mathcal{F}(A_1, \dots, A_n)$  are equal as polynomial functions over  $\mathbb{F}_q$ .

**Corollary 4.2.** *By computing a **reduced** Gröbner basis  $G_r$  of  $J + J_0$ ,  $G_r$  will contain one and only one polynomial in of the form  $Z + \mathcal{G}(A_1, \dots, A_n)$ , such that  $Z = \mathcal{G}(A_1, \dots, A_n)$  is the **unique, minimal, canonical** representation of the function  $\mathcal{F}$  implemented by the circuit.*

**Example 4.15.** *Consider a 2-bit multiplier over  $\mathbb{F}_{2^2}$  with  $P(x) = x^2 + x + 1$ , given in Figure 4.3. Variables  $a_0, a_1, b_0, b_1$  are primary inputs,  $z_0, z_1$  are primary outputs, and  $c_0, c_1, c_2, c_3, r_0$  are intermediate variables.*



**Figure 4.3:** A 2-bit multiplier over  $\mathbb{F}_{2^2}$ .

Polynomials extracted from the circuit implementation represent the ideal  $J$ . Along with the ideal of vanishing polynomials  $J_0$ , the following polynomials represent the generators of  $J + J_0$  for the multiplier circuit.

$$\begin{array}{l}
 \left. \begin{array}{l}
 f_1 : c_0 + a_0 \cdot b_0 \\
 f_2 : c_1 + a_0 \cdot b_1 \\
 f_3 : c_2 + a_1 \cdot b_0 \\
 f_4 : c_3 + a_1 \cdot b_1 \\
 f_5 : r_0 + c_1 + c_2 \\
 f_6 : z_0 + c_0 + c_3 \\
 f_7 : z_1 + r_0 + c_3 \\
 f_A : A + a_0 + a_1 \cdot \alpha \\
 f_B : B + b_0 + b_1 \cdot \alpha \\
 f_Z : Z + z_0 + z_1 \cdot \alpha
 \end{array} \right\} \text{Bit-level circuit constraints } (\subset J) \\
 \\
 \left. \begin{array}{l}
 a_0^2 - a_0, a_1^2 - a_1, b_0^2 - b_0, b_1^2 - b_1 \\
 c_0^2 - c_0, c_1^2 - c_1, c_2^2 - c_2, c_3^2 - c_3 \\
 r_0^2 - r_0, z_0^2 - z_0, z_1^2 - z_1 \\
 A^4 - A, B^4 - B, Z^4 - Z
 \end{array} \right\} \text{vanishing polynomials}(J_0)
 \end{array}$$

We apply abstraction term order  $>$ , i.e a lex order with "bit-level variables"  $>$  "Output Z"  $>$  "Inputs A, B".

When we compute the reduced Gröbner basis,  $G_r$ , of  $\{J + J_0\}$  with respect to this ordering,  $G_r = \{g_1, \dots, g_{14}\}$  :

$$\begin{array}{l}
 g_1 : B^4 + B; \quad g_2 : b_0 + b_1\alpha + B; \quad g_3 : a_0 + a_1\alpha + A; \\
 g_4 : c_0 + c_1\alpha + c_2\alpha + c_3(\alpha + 1) + Z; \quad g_5 : r_0 + c_1 + c_2; \quad g_6 : z_0 + c_0 + c_3; \\
 g_7 : z_1 + r_0 + c_3; \quad \mathbf{g_8 : Z + A \cdot B}; \quad g_9 : b_1 + B^2 + B; \quad g_{10} : a_1 + A^2 + A; \\
 g_{11} : c_3 + a_1 \cdot b_1; \quad g_{12} : c_2 + a_1 \cdot b_1\alpha + a_1 \cdot B; \quad g_{13} : c_1 + a_1 \cdot b_1\alpha + b_1A; \quad g_{14} : A^4 + A
 \end{array}$$

Here  $g_8 = Z + A \cdot B$  is the **canonical, word-level polynomial** representing the function performed by the multiplier  $Z = A \cdot B$ .

## 4.4 Concluding Remarks

Our approach to word-level abstraction of Galois field arithmetic circuits applies concepts of polynomial ideals, varieties, Gröbner basis, and abstraction theory to implement verifications on sequential circuits. The application of these approaches to sequential circuit verification is described in the following chapters.

## CHAPTER 5

# WORD-LEVEL TRAVERSAL OF FINITE STATE MACHINES USING ALGEBRAIC GEOMETRY

Reachability analysis is a basic component of sequential circuit verification, especially for formal equivalence checking and model checking techniques. Concretely, in modern synthesis tools, in order to improve various performance indicators such as latency, clock skew, or power density, sequential optimization techniques such as retiming [117], scan logic [118], sequential power optimization [119], and clock-gating techniques [120] are applied. These modifications may introduce bugs, errors or malfunctions to the original logic and cause problems. Based on traditional localized simulation or formal verification method (e.g., equivalence checking), designers are reluctant to make aggressive optimization since the malfunctions are considered “faults” in the circuits. However, if the circuit behavior is carefully investigated, it may become evident that those faults may never be activated during a restricted execution starting from legal initial states and with legal inputs. Thus we will call those faults *spurious faults* (false negatives), since they will not affect the circuit’s normal behavior.

Almost all practical sequential logic components can be modeled as finite state machines (FSMs). If we apply constraints upon the machine to make it start from designated initial states, and take specific legal inputs, a set of reachable states can be derived. As long as the faults can be modeled as bad states, we can judge whether they are spurious faults by checking if they belong to the unreachable states. From the spurious fault validation perspective, reachability analysis is a must when developing a full set of sequential circuit verification techniques.

There are quite a few methods to perform reachability checking on FSMs. One of them is state space traversal. Conventionally, the algorithm is based on bit-level techniques such as binary decision diagrams (BDDs) and Boolean logic. We propose a new traversal algorithm at word level, which brings critical advantages. In this chapter the approach will be described and discussed in depth, with examples and experiments showing its feasibility when applied on general circuit

benchmarks.

## 5.1 Motivation

Before introducing the details of our approach, there are a few questions to ask: What is the benefit of executing FSM traversal at word level? How can algebraic geometry make this happen? The answers can be found in this section, as a statement of the motivation of our research.

### 5.1.1 FSM Traversal Algorithms

Sequential circuits are modeled as FSMs, which can be implemented as graphs. Thus a graph-traversal-based algorithm is created to analyze the reachable states [47]. A traversal algorithm using the concept of implicit state enumeration is proposed [121]. Concretely, the algorithm is given in Algorithm 4:

---

**Algorithm 4:** BFS Traversal for FSM Reachability

---

**Input:** Transition functions  $\Delta$ , initial state  $S^0$

- 1  $from^0 = reached = S^0$ ;
- 2 **repeat**
- 3    $i \leftarrow i + 1$ ;
- 4    $to^i \leftarrow \text{Img}(\Delta, from^{i-1})$ ;
- 5    $new^i \leftarrow to^i \cap \overline{reached}$ ;
- 6    $reached \leftarrow reached \cup new^i$ ;
- 7    $from^i \leftarrow new^i$ ;
- 8 **until**  $new^i == 0$ ;
- 9 **return**  $reached$

---

The above algorithm describes a breath-first-search (BFS) traversal in state space. The traversal algorithm is a simple variation of a BFS algorithm where states are nodes and transitions are arcs. Each state is uniquely encoded by a combination of a set of register data, which is usually represented by a Boolean vector.

Since a typical sequential circuit usually contains a combinational logic component, the traversal algorithm analyzes the combinational logic and derives the transition function for one-step reachability within the current time-frame, and extends the result to complete execution paths through unrolling. If each state encoding (i.e., exact values in the selected registers) is explicitly analyzed and counted during the unrolling procedure, this unrolling is called **explicit unrolling**. In the BFS traversal algorithm, the states cannot be directly read in the execution; instead, they are implicitly

represented using a conjunction of several Boolean formulas. Such techniques differ from explicit unrolling and are called **implicit unrolling**.

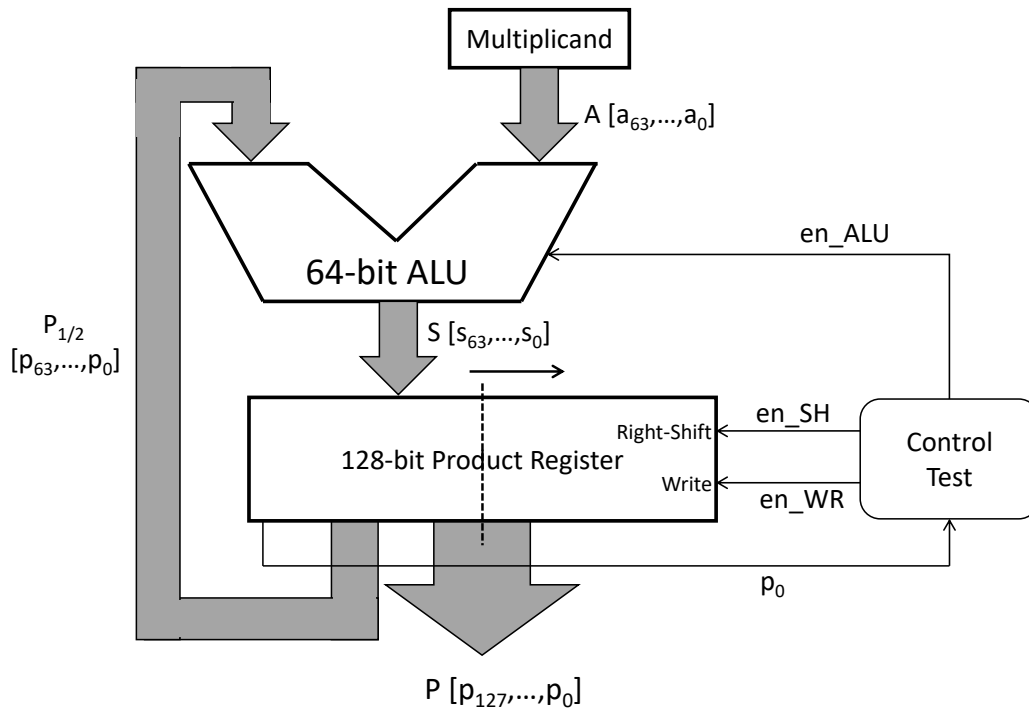
However, the BFS traversal algorithm proposed by the author is usually not practical. The conjunctions of Boolean formulas are stored as BDDs, which is a canonical and convenient structure. Nevertheless, the size of a BDD explodes when the formulas become too long and too complicated. In [121], the authors make a compromise between accuracy and cost, and turn to approximate reachability. In this research work, the aim is to explore a word-level technique which can make an accurate reachability analysis available.

### 5.1.2 Word-Level Data Flow on Modern Datapath Designs

The level of integration of modern digital circuit designs is very high. For example, processor A10 designed by Apple integrates 3.3 billion transistors on a 125 mm<sup>2</sup> chip [122]. Such a high density makes the silicon implementation of large datapaths possible. In recent decades, 64-bit or even larger datapaths frequently appear in modern digital IC designs such as powerful central processing units (CPUs) and high-bandwidth memory (HBM). Meanwhile, with the development of electronic design automation (EDA) tools, data flow is described by the designer as word-level specifications. Therefore, it will be straightforward and beneficial for users if formal verification tools can work at word level. Moreover, adopting word-level techniques will greatly reduce the state space and make verification more efficient.

In order to throw light on the advantages of using word-level techniques, we pick a typical digital circuit component in a modern 64-bit MIPS processor as an example.

**Example 5.1.** *Figure 5.1 depicts a sequential multiplication hardware implementation within a 64-bit MIPS. Initially, one multiplicand is preloaded to the lower 64 bits of the product registers. Iteratively, the last significant bit (LSB) of current (temporary) product is used as flag to activate the ALU to add on the other multiplicand. For each iteration the data in product registers shifts right by 1 bit. Finally when the most significant bit (MSB) of preloaded multiplicand arrives at the MSB of product registers, the registers contains the result – a 128-bit product. The behavior can be described by the following algorithm:*



**Figure 5.1:** A 64-bit sequential multiplication hardware design.

---

**Algorithm 5:** Sequential multiplication hardware in 64-bit MIPS

---

**Input:** Multiplicand  $A, B$

**Output:** Product  $C$

- 1 Preload  $B$  into lower 64-bit of Product Register  $P$ ;
  - 2 **repeat**
  - 3     **if** Last Bit of Product Register  $LSB(P) == 1$  **then**
  - 4          $P = P_{1/2} + B$ ;
  - 5     **end**
  - 6     Right shift  $P$ ;
  - 7 **until** 64 Repetitions;
  - 8 **return**  $C = P$
- 

Traditionally, to verify the functional correctness of this multiplier, SAT-based or BDD-based model checking is applied on basic function units. For example, as a part of functional verification, we would like to check “ $P = P_{1/2} + B$ ” is correctly executed. Then in a model checker we need to add following specifications:

$$\begin{aligned}
&en\_ALU \\
\wedge s_0 &= a_0 \oplus p_0 \\
\wedge s_1 &= a_1 \oplus p_1 \oplus (a_0 \wedge p_0) \\
\wedge s_2 &= a_2 \oplus p_2 \oplus ((a_1 \oplus p_1) \wedge a_0 \wedge p_0 \vee a_0 \wedge p_0) \\
&\wedge \dots \\
\wedge s_{63} &= a_{63} \oplus p_{63} \oplus (c_{63})
\end{aligned}$$

We can see that when checking a single part of the whole structure, the number of clauses needed will increase to  $k + 1$  when using  $k$ -bit datapath. Considering the formula representing carry-in will become longer and longer, the final conjunction of all clauses will contain  $O(2^k)$  Boolean operators. If by some means we can write the specification with only 3 variables:

$$S = P_{1/2} + B \quad (5.1)$$

the abstraction to word-level will reduce symbolic storage and execution cost; the complexity to traverse the state space will be greatly reduced.

On the other hand, when implementation details of the datapath are not available, it is not convenient any more for users of conventional model checkers. The reason is that the user has to write all clauses for the implementation, which contains cross-literals, e.g.,  $s_2$  may associate with  $a_1, p_0$ , etc. If the user is not familiar with the implementation of this adder, those cross-literals will bring confusion. However, if word-level techniques allow specification like Equation 5.1, the verification tool will be very user-friendly and straightforward even if the implementation details are in a black box.

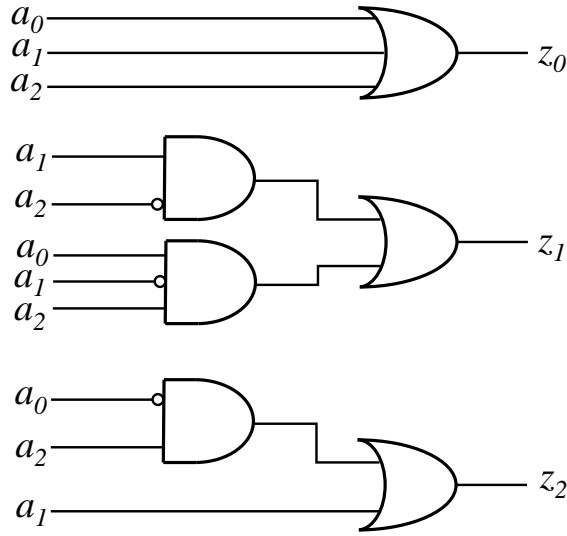
### 5.1.3 On the Existence of Word-Level Abstraction for Arbitrary Circuits

When given a bit-level netlist, the prerequisites to use word-level techniques are to convert bit-level to word-level first. This conversion is usually completed by abstraction techniques.

An old but universally effective abstraction method is *Lagrange's interpolation*, which can be applied over finite fields. Here we use an example to illustrate the conversion in Galois field using Lagrange's interpolation for an arbitrary circuit.

**Example 5.2** (Lagrange's interpolation). Assume we are given gate-level netlist shown in Figure 5.2. It can be written as 3 Boolean equations:





**Figure 5.2:** Gate-level netlist for Lagrange's interpolation example.

$$z_0 = a_0 \vee a_1 \vee a_2$$

$$z_1 = a_1 \wedge \neg a_2 \vee a_0 \wedge \neg a_1 \wedge a_2$$

$$z_2 = a_1 \vee \neg a_0 \wedge a_2$$

Define 2 word-level variables  $A, Z$  as input and output:

$$A = \{a_2 a_1 a_0\}, Z = \{z_2 z_1 z_0\}$$

To convert bit-level to word-level, we need to find mapping  $\mathbb{B}^3 \rightarrow \mathbb{B}^3$ , or  $\mathbb{F}_{2^3} \rightarrow \mathbb{F}_{2^3}$ . The latter one, as mentioned in preliminaries, is a polynomial function in  $\mathbb{F}_{2^3}$ .

For each element in  $\mathbb{F}_{2^3}$ , we write down the truth table as Table 5.1. Now our objective is to abstract a function over finite field  $\mathbb{F}_{2^3}$  in word-level variables, i.e.,  $Z = \mathcal{F}(A)$ . Recall Lagrange's interpolation formula:

$$\mathcal{F}(x) = \sum_{k=1}^N \left[ \prod_{(0 \leq j \leq k-1), (j \neq i)} \frac{x - x_j}{x_i - x_j} \cdot y_k \right] \quad (5.2)$$

The geometric meaning of Lagrange's interpolation in real algebra is: given  $N$  points with coordinates  $(x_i, y_i)$ , they can always be fitted into a polynomial function with at most  $N - 1$  degree, and that function can be written in the form of Equation 5.2. In this example, although defined in

**Table 5.1:** Truth table for mappings in  $\mathbb{B}^3$  and  $\mathbb{F}_{2^3}$ .

$\{a_2 a_1 a_0\} \in \mathbb{B}^3$	$A \in \mathbb{F}_{2^3}$	$\rightarrow$	$\{z_2 z_1 z_0\} \in \mathbb{B}^3$	$Z \in \mathbb{F}_{2^3}$
000	0	$\rightarrow$	000	0
001	1	$\rightarrow$	001	1
010	$\alpha$	$\rightarrow$	111	$\alpha^2 + \alpha + 1$
011	$\alpha + 1$	$\rightarrow$	111	$\alpha^2 + \alpha + 1$
100	$\alpha^2$	$\rightarrow$	101	$\alpha^2 + 1$
101	$\alpha^2 + 1$	$\rightarrow$	011	$\alpha + 1$
110	$\alpha^2 + \alpha$	$\rightarrow$	101	$\alpha^2 + 1$
111	$\alpha^2 + \alpha + 1$	$\rightarrow$	101	$\alpha^2 + 1$

a Galois field instead of the real number field, the essential concept of Lagrange's interpolation remains the same. We can get 8 points in the affine space:

$$\text{Generic form : } (a_2\alpha^2 + a_1\alpha + a_0, z_2\alpha^2 + z_1\alpha + z_0) \leftarrow (A, Z)$$

$$\text{Point 1 : } (0, 0) \leftarrow (000, 000)$$

$$\text{Point 2 : } (1, 1) \leftarrow (001, 001)$$

$$\text{Point 3 : } (\alpha, \alpha^2 + \alpha + 1) \leftarrow (010, 111)$$

$$\text{Point 4 : } (\alpha + 1, \alpha^2 + \alpha + 1) \leftarrow (011, 111)$$

$$\text{Point 5 : } (\alpha^2, \alpha^2 + 1) \leftarrow (100, 101)$$

$$\text{Point 6 : } (\alpha^2 + 1, \alpha + 1) \leftarrow (101, 011)$$

$$\text{Point 7 : } (\alpha^2 + \alpha, \alpha^2 + 1) \leftarrow (110, 101)$$

$$\text{Point 8 : } (\alpha^2 + \alpha + 1, \alpha^2 + 1) \leftarrow (111, 101)$$

Substitute 8  $(x_i, y_i)$  pairs in Equation 5.2 with these 8 points in  $\mathbb{F}_{2^3}$ . The result is a polynomial function with degree no greater than 7:

$$\begin{aligned} Z &= \mathcal{F}(A) \\ &= (\alpha^2 + \alpha + 1)A^7 + (\alpha^2 + 1)A^6 + \alpha A^5 + (\alpha + 1)A^4 \\ &\quad + (\alpha^2 + \alpha + 1)A^3 + (\alpha^2 + 1)A \end{aligned}$$

The Lagrange's interpolation theorem also proves the existence of a word-level abstraction for a bit-level netlist. In practice, Lagrange's interpolation is not scalable. The reason is that it needs the entire function (state space), but usually we only have the circuit representation of the FSM. Considering this fact, a symbolic method is needed. Our approach in this section uses abstraction

based on Gröbner basis with abstraction term order (ATO), which is briefly introduced in Section 4.3.

### 5.1.4 Significance of Developing Word-Level Reachability Analysis

Based on the aforementioned discussions, the importance of performing FSM traversal at word level can bring a dimension of abstraction in sequential circuit reachability analysis. To overcome the cost incurred by searching in a large space, we propose to use word-level polynomials to represent the states and transition relations. As a result, states are categorized into sets represented by a small number of word-level polynomials (more specifically, the varieties to the polynomial ideals), and multiple transition relations are therefore merged together. All of these efforts reduce the cost of state space, meanwhile lowering the time complexity to traverse such a state space. As Lagrange's interpolation confirms the existence of word-level abstraction for bit-level circuits, the concept can be extended to encode the state space of a sequential circuit by word-level polynomials in  $\mathbb{F}_{2^k}$ .

## 5.2 FSM Reachability Using Algebraic Geometry

We use symbolic state reachability with algebraic geometry concepts. It is an abstraction based on word operand definition of datapaths in circuits, and it can be applied to arbitrary FSMs by bundling a set of bit-level variables together as one or several word-level variables. The abstraction polynomial, encoding the reachable state space of the FSM, is obtained through computing a GB over  $\mathbb{F}_{2^k}$  of the polynomials of the circuit using an elimination term order based on Theorem 4.6.

### 5.2.1 FSM Model for Sequential Circuits

A finite state machine (FSM) is a mathematical model of computation for designing and analyzing sequential logic circuits. If a FSM's primary outputs depend on primary inputs and present state inputs, it is called a *Mealy machine*; the formal definition is as follows:

**Definition 5.1.** A Mealy machine is an  $n$ -tuple  $\mathcal{M} = (\Sigma, O, S, S^0, \Delta, \Lambda)$  where

- $\Sigma$  is the input label,  $O$  is the output label;
- $S$  is the set of states,  $S^0 \subseteq S$  is the set of initial states;
- $\Delta : S \times \Sigma \rightarrow S$  is the next state transition function;

- $\Lambda : S \times \Sigma \rightarrow O$  is the output function.

The other kind of FSM is *Moore machine*, its difference from Mealy machine is that its primary outputs only depend on the present states, i.e., the output function is defined as

$$\Lambda : S \rightarrow O$$

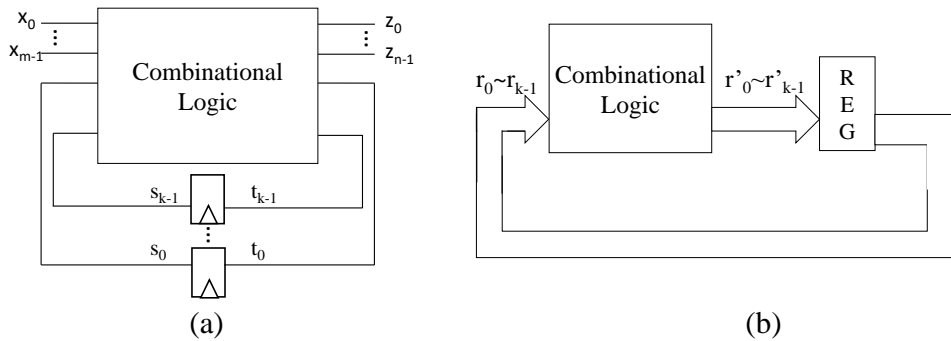
Typical sequential circuits can be depicted as Figure 5.3(a). Primary inputs  $x_1, \dots, x_m \in \Sigma$ , and primary outputs  $z_1, \dots, z_n \in O$ . Signals  $s_1, \dots, s_k$  are present state (PS) variables,  $t_1, \dots, t_k$  are next state (NS) variables. We can define 2  $k$ -bit words denoting the PS/NS variables as there are  $k$  flip-flops in the datapath:  $S = (s_1, \dots, s_k)$ ,  $T = (t_1, \dots, t_k)$ . Transition function at bit level are defined as  $\Delta_i$ :

$$t_i = \Delta_i(s_1, \dots, s_k, x_1, \dots, x_m)$$

In some cases, arithmetic computations are implemented as Moore machines where input operands are loaded into register files  $R$  and the FSM is executed for  $k$  clock cycles. We can simplify them to the model in Figure 5.3(b).

### 5.2.2 Conventional Traversal Method

Conceptually, the state-space of a FSM is traversed in a breadth-first manner, as shown in Algorithm 4. The algorithm operates on the FSM  $\mathcal{M} = (\Sigma, O, S, S^0, \Delta, \Lambda)$  underlying a sequential circuit. In such cases, the transition function  $\Delta$  and the initial states are represented and manipulated using Boolean representations such as BDDs or SAT solvers. The variables *from*, *reached*, *to*, *new* represent characteristic functions of sets of states. Starting from the initial



**Figure 5.3:** FSM models of sequential circuits.

state  $from^i = S^0$ , the algorithm computes the states reachable in 1-step from  $from^i$  in each iteration. In line 4 of Algorithm 4, the *image computation* is used to compute the reachable states in every execution step.

The *transition function*  $\Delta$  is given by Boolean equations of the flip-flops of the circuit:  $t_i = \Delta_i(s, x)$ , where  $t_i$  is a next state variable,  $s$  represents the present state variables and  $x$  represents the input variables. The *transition relation of the FSM* is then represented as

$$T(s, x, t) = \prod_{i=1}^n (t_i \oplus \Delta_i) \quad (5.3)$$

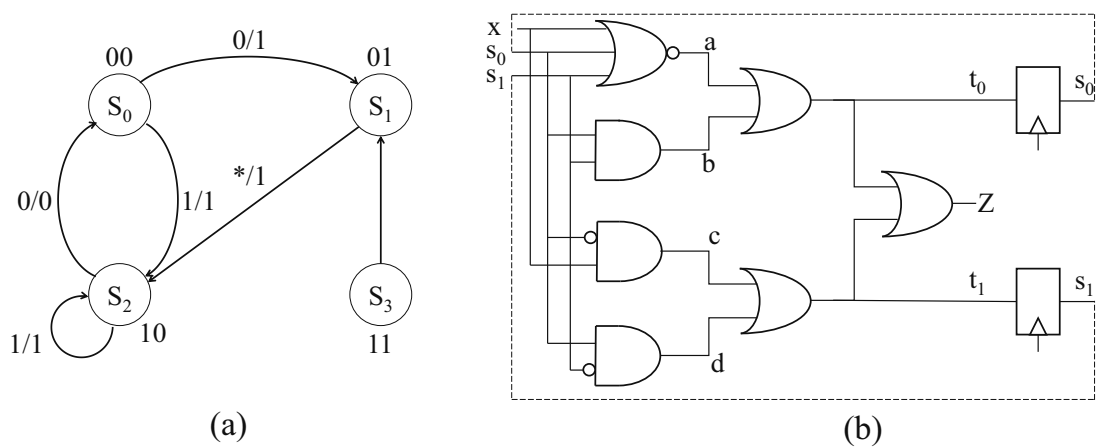
where  $n$  is the number of flip flops, and  $\oplus$  is XNOR operation. Let  $from$  denote the set of initial states, then the image of the initial states, under the transition function  $\Delta$  is finally computed as

$$to = \text{Img}(\Delta, from) = \exists_s \exists_x [T(s, x, t) \cdot from] \quad (5.4)$$

Here,  $\exists x(f)$  represents the *existential quantification of  $f$  w.r.t. variable  $x$* . In Boolean logic, this operator is implemented as

$$\exists x(f) = f_x \vee f_{\bar{x}}$$

Let us describe the application of the algorithm on the FSM circuit of Figure 5.4. We will first describe its operation at the Boolean level, and then describe how this algorithm can be implemented using algebraic geometry at word level.



**Figure 5.4:** The example FSM and the gate-level implementation.

In Line 1 of the BFS algorithm, assume that the initial state is  $S_3$  in Figure 5.4(b), which is encoded as  $S_3 = \{11\}$ . Using Boolean variables  $s_0, s_1$  for the present states,  $from^0 = s_0 \cdot s_1$  is represented as a Boolean formula.

**Example 5.3.** For the circuit in Figure 5.4(b), we have the transition functions of the machine as

$$\begin{aligned}\Delta_1 &: t_0 \oplus ((\overline{x \vee s_0 \vee s_1}) \vee s_0 s_1) \\ \Delta_2 &: t_0 \oplus (\overline{s_0} x \vee \overline{s_1} s_0) \\ from &: from^0 = s_0 \cdot s_1\end{aligned}$$

When the formula of Equation 5.4 is applied to compute 1-step reachability,  $to = \exists_{s_0, s_1, x} (\Delta_1 \cdot \Delta_2 \cdot from^0)$ , we obtain  $to = \overline{t_0} \cdot t_1$ , which denotes the state  $S_1 = \{01\}$  reached in 1-step from  $S_3$ . In the next iteration, the algorithm uses state  $S_1 = \{01\}$  as the current (initial) state, and computes  $S_2 = \{10\} = t_0 \cdot \overline{t_1}$  as the next reachable state, and so on.

Our objective is to model the transition functions  $\Delta$  as a polynomial ideal  $J$ , and to perform the image computations using Gröbner bases over Galois fields. This requires performing quantifier elimination, which can be accomplished using the GB computation over  $\mathbb{F}_{2^k}$  using elimination ideals [98]. Finally, the set union, intersection, and complement operations are also to be implemented in algebraic geometry.

### 5.2.3 FSM Traversal at Word-Level over $\mathbb{F}_{2^k}$

The state transition graph (STG) shown in Figure 5.4(a) uses a 2-bit Boolean vector to represent 4 states  $\{S_0, S_1, S_2, S_3\}$ . We map these states to elements in  $\mathbb{F}_{2^2}$ , where  $S_0 = 0, S_1 = 1, S_2 = \alpha, S_3 = \alpha + 1$ . Here, we take  $P(X) = X^2 + X + 1$  as the irreducible polynomial to construct  $\mathbb{F}_4$ , and  $P(\alpha) = 0$  so that  $\alpha^2 + \alpha + 1 = 0$ .

*Initial state:* Line 1 of Algorithm 4 specifies the initial state. In algebraic geometry, it can be specified by means of a corresponding polynomial  $f = \mathcal{F}(S) = S - 1 - \alpha$ . Notice that if we consider the ideal generated by the initial state polynomial,  $I = \langle f \rangle$ , then its variety  $V(I) = 1 + \alpha$  corresponds to the state encoding  $S_3 = \{11\} = 1 + \alpha$ , where a polynomial in word-level variable  $S$  encodes the initial state.

**Set operations:** In Lines 5 and 6 of Algorithm 4, we need **union**, **intersection**, and **complement** of varieties over  $\mathbb{F}_{2^k}$ , for which we again use algebraic geometry concepts.

**Definition 5.2. (Sum/Product of Ideals [113])** If  $I = \langle f_1, \dots, f_r \rangle$  and  $J = \langle g_1, \dots, g_s \rangle$  are ideals in  $R$ , then the **sum** of  $I$  and  $J$  is defined as  $I + J = \langle f_1, \dots, f_r, g_1, \dots, g_s \rangle$ . Similarly, the **product** of  $I$  and  $J$  is  $I \cdot J = \langle f_i g_j \mid 1 \leq i \leq r, 1 \leq j \leq s \rangle$ .

**Theorem 5.1.** If  $I$  and  $J$  are ideals in  $R$ , then  $\mathbf{V}(I + J) = \mathbf{V}(I) \cap \mathbf{V}(J)$  and  $\mathbf{V}(I \cdot J) = \mathbf{V}(I) \cup \mathbf{V}(J)$ .

In Line 5 of Algorithm 4, we need to compute the complement of a set of states. Assume that  $J$  denotes a polynomial ideal whose variety  $V(J)$  denotes a set of states. We require the computation of another polynomial ideal  $J'$ , such that  $V(J') = \overline{V(J)}$ . We show that this computation can be performed using the concept of **ideal quotient**:

**Definition 5.3. (Quotient of Ideals)** If  $I$  and  $J$  are ideals in a ring  $R$ , then  $I : J$  is the set  $\{f \in R \mid f \cdot g \in I, \forall g \in J\}$  and is called the **ideal quotient** of  $I$  by  $J$ .

**Example 5.4.** In  $\mathbb{F}_q[x, y, z]$ , ideal  $I = \langle xz, yz \rangle$ , ideal  $J = \langle z \rangle$ . Then

$$\begin{aligned} I : J &= \{f \in \mathbb{F}_q[x, y, z] \mid f \cdot z \in \langle xz, yz \rangle\} \\ &= \{f \in \mathbb{F}_q[x, y, z] \mid f \cdot z = Axz + Byz\} \\ &= \{f \in \mathbb{F}_q[x, y, z] \mid f = Ax + By\} \\ &= \langle x, y \rangle \end{aligned}$$

We can now obtain the complement of a variety through the following results which are stated and proved below:

**Lemma 5.1.** Let  $f, g \in \mathbb{F}_{2^k}[x]$ , then  $\langle f : g \rangle = \left\langle \frac{f}{\gcd(f, g)} \right\rangle$ .

**Proof.** Let  $d = \gcd(f, g)$ . So,  $f = df_1, g = dg_1$  with  $\gcd(f_1, g_1) = 1$ . Note that  $f_1 = \frac{f}{\gcd(f, g)}$ .

Take  $h \in \langle f : g \rangle$ . According to the Definition 5.3,  $hg \in \langle f \rangle$ , which means  $hg = f \cdot r$  with  $r \in \mathbb{F}_{2^k}[x]$ . Therefore,  $hdg_1 = df_1 r$  and  $hg_1 = f_1 r$ . But considering  $\gcd(g_1, f_1) = 1$  we have the fact that  $f_1$  divides  $h$ . Hence  $h \in \langle f_1 \rangle$ .

Conversely, let  $h \in \langle f_1 \rangle$ . Then  $h = s \cdot f_1$ , where  $s \in \mathbb{F}_{2^k}[x]$ . So,  $hg = hdg_1 = sf_1 dg_1 = sg_1 f \in \langle f \rangle$ . Therefore,  $h \in \langle f : g \rangle$ . ■

**Theorem 5.2.** Let  $J$  be an ideal generated by a single univariate polynomial in variable  $x$  over  $\mathbb{F}_{2^k}[x]$ , and let the vanishing ideal  $J_0 = \langle x^{2^k} - x \rangle$ . Then

$$V(J_0 : J) = V(J_0) - V(J),$$

where all the varieties are considered over the field  $\mathbb{F}_{2^k}$ .

**Proof.** Since  $\mathbb{F}_{2^k}[x]$  is a principal ideal domain,  $J = \langle g(x) \rangle$  for some polynomial  $g(x) \in \mathbb{F}_{2^k}[x]$ . Let  $h(x) = \gcd(g(x), x^{2^k} - x)$ . So,  $g(x) = h(x)g_1(x)$ ,  $x^{2^k} - x = h(x)f_1(x)$ , with  $\gcd(f_1(x), g_1(x)) = 1$ . Then  $J_0 : J = \langle f_1(x) \rangle$  by Lemma 5.1.

Let  $x \in V(J_0) - V(J)$ . From the definition of set complement, we get  $x \in \mathbb{F}_{2^k}$  while  $g(x) \neq 0$ .

Since  $x^{2^k} = x$ , we see that either  $h(x) = 0$  or  $f_1(x) = 0$ . Considering  $g(x) \neq 0$ , we can assert that  $h(x) \neq 0$ . In conclusion,  $f_1(x) = 0$  and  $x \in V(f_1)$ .

Now let  $x \in V(f_1)$ , we get  $f_1(x) = 0$ . So,  $x^{2^k} - x = 0$  gives  $x \in V(J_0) = \mathbb{F}_{2^k}$  which contains all elements in the field.

Now we make an assumption that  $x \in V(g)$ . Then  $g(x) = 0 = d(x)g_1(x)$ , which means either  $h(x) = 0$  or  $g_1(x) = 0$ .

If  $g_1(x) = 0$ , then since  $f_1(x) = 0$  we get that  $f_1(x), g_1(x)$  share a root. This contradicts the fact that  $\gcd(f_1(x), g_1(x)) = 1$ .

On the other hand, if  $h(x) = 0$ , then since  $f_1(x) = 0$  and  $x^{2^k} - x = d(x)f_1(x)$ , we get that  $x^{2^k} - x$  has a double root. But this is impossible since the derivative of  $x^{2^k} - x$  is  $-1$ .

So,  $x \notin V(g(x))$  and this concludes the proof. ■

Let  $x^{2^k} - x$  be a vanishing polynomial in  $\mathbb{F}_{2^k}[x]$ . Then  $V(x^{2^k} - x) = \mathbb{F}_{2^k}$ , i.e., the variety of vanishing ideal contains all possible valuations of variables, so it constitutes the **universal set**. Subsequently, based on Theorem 5.2, the **absolute complement**  $V(J')$  of a variety  $V(J)$  can be computed as:

**Corollary 5.1.** *Let  $J \subseteq \mathbb{F}_{2^k}[x]$  be an ideal, and  $J_0 = \langle x^{2^k} - x \rangle$ . Let  $J'$  be an ideal computed as  $J' = J_0 : J$ . Then*

$$V(J') = \overline{V(J)} = V(J_0 : J)$$

With Corollary 5.1, we are ready to demonstrate the concept of word-level FSM traversal over  $\mathbb{F}_{2^k}$  using algebraic geometry. The algorithm is given in Algorithm 6. Note that in the algorithm,  $from^i, to^i, new^i$  are univariate polynomials in variables  $S$  or  $T$  only, due to the fact that they are the result of a GB computation with an elimination term order, where the bit-level variables are abstracted and quantified away.



### 5.3 Problem Setup and Formulation

**Problem Setup 5.1.** We use the notions from Figure 5.3(a) in this setup.

1) The circuit is modeled over  $\mathbb{F}_{2^k} = \mathbb{F}_2[x] \pmod{p(x)}$ ,  $p(\alpha) = 0$ , where  $k$  is the number of flip-flops, the PS variables  $\{s_0, \dots, s_{k-1}\}$ , NS variables  $\{t_0, \dots, t_{k-1}\}$ .

2) Denote  $S$  as the PS word-level by the following polynomial:

$$f_S : S = s_0 + s_1\alpha + s_2\alpha^2 + \dots + s_{k-1}\alpha^{k-1}$$

Similarly we define NS word-level variable  $T$  by:

$$f_T : T = t_0 + t_1\alpha + t_2\alpha^2 + \dots + t_{k-1}\alpha^{k-1}$$

3) Impose ATO for sequential circuits, which is

$$LEX : \text{all bit-level variables in any order} > S > T$$

4) Write polynomials  $f_1, \dots, f_s$  for each gate, and construct ideal describing the circuit:

$$J_{ckt} = \langle f_1, \dots, f_s, f_S, f_T \rangle$$

as well as the ideal with vanishing polynomials:

$$J_0 = \langle \dots, x_i^2 - x_i, \dots, S^{2^k} - S, T^{2^k} - T \rangle$$

where  $x_i$  corresponds to bit-level variables denoting wires in the circuit.

5) Compute GB with ATO for  $G$ . Then obtain the projection of variety only on NS variable  $T$ , by

$$G \cap \mathbb{F}_{2^k}[T]$$

#### 5.3.1 Word-Level FSM Traversal Example

**Example 5.5.** We apply Algorithm 6 to the example shown in Figure 5.4 to execute the FSM traversal. Let the initial state  $from^0 = \{00\}$  in  $\mathbb{B}^2$  or  $0 \in \mathbb{F}_4$ . Polynomially, it is written as  $from^0 = S - 0$ . In the first iteration, we compose an ideal  $J$  with

---

**Algorithm 6:** Algebraic Geometry based FSM Traversal
 

---

**Input:** The circuit's characteristic polynomial ideal  $J_{ckt}$ , initial state polynomial  $\mathbb{F}(S)$ , and LEX term order: bit-level variables  $x, s, t >$  PS word  $S >$  NS word  $T$

- 1  $from^0 = reached = \mathcal{F}(S)$ ;
- 2 **repeat**
- 3    $i \leftarrow i + 1$ ;
- 4    $G \leftarrow \text{GB}(\langle J_{ckt}, J_v, from^{i-1} \rangle)$ ;  
    /\* Compute Gröbner basis with elimination term order:  $T$   
    smallest \*/
- 5    $to^i \leftarrow G \cap \mathbb{F}_{2^k}[T]$ ;  
    /\* There will be a univariate polynomial in  $G$  denoting the  
    set of next states in word-level variable  $T$  \*/
- 6    $\langle new^i \rangle \leftarrow \langle to^i \rangle + (\langle T^{2^k} - T \rangle : \langle reached \rangle)$ ;  
    /\* Use quotient of ideals to attain complement of reached  
    states, then use sum of ideals to attain an intersection  
    with next state \*/
- 7    $\langle reached \rangle \leftarrow \langle reached \rangle \cdot \langle new^i \rangle$ ;  
    /\* Use product of ideals to attain a union of newly reached  
    states and formerly reached states \*/
- 8    $from^i \leftarrow new^i(S \setminus T)$ ;  
    /\* Start a new iteration by replacing variable  $T$  in newly  
    reached states with current state variable  $S$  \*/
- 9 **until**  $\langle new^i \rangle == \langle 1 \rangle$ ;  
    /\* Loop until a fixpoint reached: newly reached state is  
    empty \*/
- 10 **return**  $\langle reached \rangle$

---

$$f_1 : t_0 - (xs_0s_1 + xs_0 + xs_1 + x + s_0 + s_1 + 1)$$

$$f_2 : t_1 - (xs_0 + x + s_0s_1 + s_0)$$

$$f_3 : S - s_0 - s_1\alpha; \quad f_4 : T - t_0 - t_1\alpha$$

$J_{ckt} = \langle f_1, f_2, f_3, f_4 \rangle$ , and the vanishing polynomials:

$$f_5 : x^2 - x; \quad f_6 : s_0^2 - s_0, \quad f_7 : s_1^2 - s_1$$

$$f_8 : t_0^2 - t_0, \quad f_9 : t_1^2 - t_1; \quad f_{10} : S^4 - S, \quad f_{11} : T^4 - T$$

with  $J_v = \langle f_5, f_6, \dots, f_{11} \rangle$ .

Compute  $G = GB(J)$  for  $J = J_{ckt} + J_0 + \langle from^0 \rangle$ , with an elimination term order

$$\underbrace{\{x, s_0, s_1, t_0, t_1\}}_{\text{all bit-level variables}} > \underbrace{S}_{(PS \text{ word})} > \underbrace{T}_{(NS \text{ word})} .$$

The resulting GB  $G$  contains a polynomial generator with only  $T$  as the variable. In Line 5, assign it to the next state

$$to^1 = T^2 + (\alpha + 1)T + \alpha.$$

Note that the roots or variety of  $T^2 + (\alpha + 1)T + \alpha$  is  $\{1, \alpha\}$ , denoting the states  $\{01, 10\}$ .

Since the formerly reached state “reached =  $T$ ,” its complement is computed using Corollary 5.1

$$\langle T^4 - T \rangle : \langle T \rangle = \langle T^3 + 1 \rangle.$$

$V(\langle T^3 + 1 \rangle) = \{1, \alpha, \alpha + 1\}$  denoting the states  $\{01, 10, 11\}$ . Then the newly reached state set in this iteration is

$$\langle T^3 + 1, T^2 + (\alpha + 1)T + \alpha \rangle = \langle T^2 + (\alpha + 1)T + \alpha \rangle$$

We add these states to formerly reached states

$$\begin{aligned} reach &= \langle T \rangle \cdot \langle T^2 + (\alpha + 1)T + \alpha \rangle \\ &= \langle T \cdot T^2 + (\alpha + 1)T + \alpha \rangle \\ &= \langle T^3 + (\alpha + 1)T^2 + \alpha T \rangle \end{aligned}$$

i.e., states  $\{00, 01, 10\}$ . We update the present states for next iteration

$$from^1 = S^2 + (\alpha + 1)S + \alpha.$$

In the second iteration, we compute the reduced GB with the same term order for ideal  $J = J_{ckt} + J_v + \langle from^1 \rangle$ . It includes a polynomial generator

$$to^2 = T^2 + \alpha T$$

denotes states  $\{00, 10\}$ . The complement of reached is

$$\langle T^4 - T \rangle : \langle T^3 + (\alpha + 1)T^2 + \alpha T \rangle = \langle T + 1 + \alpha \rangle$$

(i.e., states  $\{11\}$ ). We compute the newly reached state

$$\langle T^2 + \alpha T, T + 1 + \alpha \rangle = \langle 1 \rangle$$

Since the GB contains the unit ideal, it means the newly reached state set is empty, thus a fix-point has been reached. The algorithm terminates and returns

$$reached = \langle T^3 + (\alpha + 1)T^2 + \alpha T \rangle$$

which, as a Gröbner basis of the elimination ideal, canonically encodes the final reachable state set.

### 5.3.2 Significance of Using Algebraic Geometry and Gröbner Bases

The essence of our approach is based on algebraic geometry and Gröbner basis concepts. On the one hand, we use GB with elimination term ordering as an analog of image function. As mentioned in Section 4.3, we construct the ideal  $J + J_0$  to describe the circuit in Figure 5.5 using algebraic geometry. Given the present states, the next states are implicitly represented in the variety of the elimination ideal obtained by quantifying away the remaining variables. This projects the variety on the NS output  $T$  by eliminating all other variables. This projection gives us the canonical representation of NS in a polynomial in  $T$ .

On the other hand, we use the algebraic ideals to implement set operations. States are finite sets of points, which can be mapped to a variety. In algebraic geometry, manipulating the ideals provides a mechanism to operate on the varieties without actually solving the system of equations. The intersection, union and complement of varieties are mapped to varieties of the sum, product and quotient of ideals, respectively.

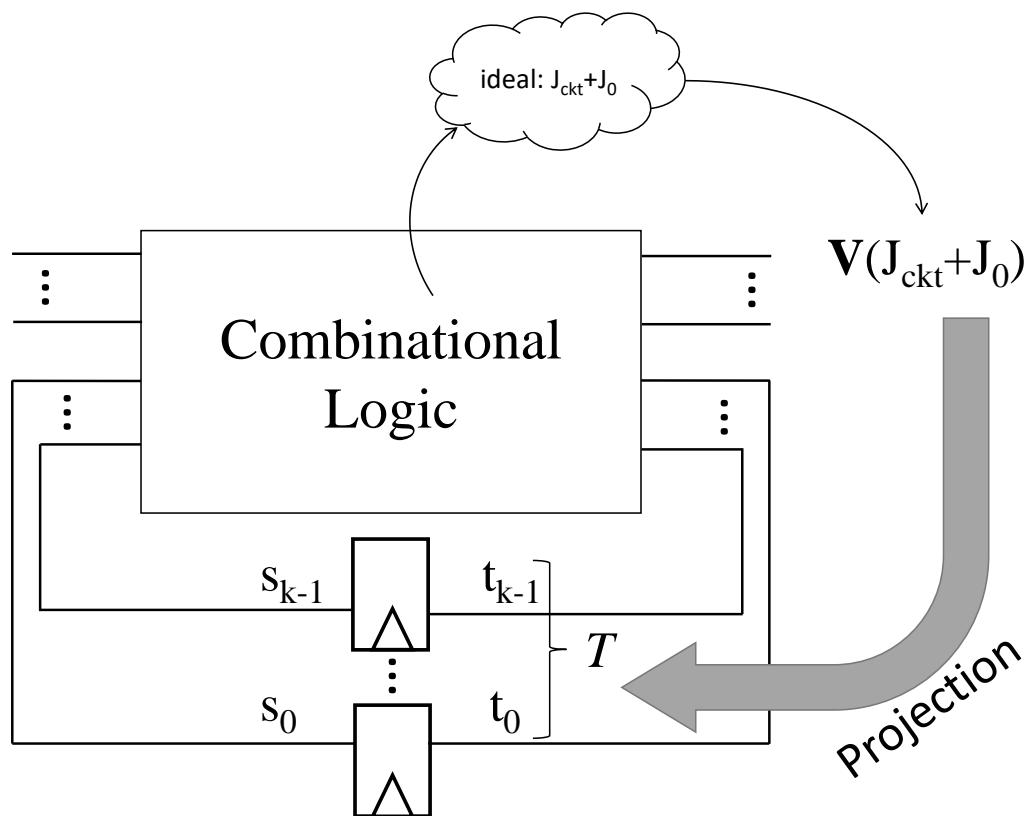
As a result, we create the analog of the FSM traversal algorithm in algebraic geometry which is compatible with word-level variables (e.g.,  $S, T$ ). We show it is effective to perform the reachability analysis.

## 5.4 Improving Our Approach

Using elimination term ordering on computing GB for a large set of polynomials is time-consuming, and usually intractable. The reason is the exponential computational complexity [115]:

**Theorem 5.3.** *Let  $J + J_0 = \langle f_1, \dots, f_s, x_1^q - x_1, \dots, x_d^q - x_d \rangle \subset \mathbb{F}_q[x_1, \dots, x_d]$  be an ideal. The time and space complexity of Buchberger's algorithm to compute a Gröbner basis of  $J + J_0$  is bounded by  $q^{O(d)}$ .*

In our case  $q = 2^k$ , and when  $k$  and  $d$  are large, this complexity makes abstraction infeasible.



**Figure 5.5:** Projection of the variety of circuit description ideal.

Buchberger’s algorithm consists of two major operations: one is finding *Spoly* pairs, the other is dividing the *Spoly* by the set of polynomials. Its actual cost is very sensitive to the term ordering: If there exists a term order making most *Spoly* computation unnecessary, then the cost to compute *Spoly* is saved. Moreover, it prevents the generation of new polynomials from unnecessary *Spoly* reductions, which further reduces the cost because there are less *Spoly* pairs as well as candidate divisors. Besides tuning the term ordering, directly cutting down the number of polynomials in the set is also effective.

In order to make our approach scalable, we propose improvements from two aspects: 1) using another term ordering which can lower the computational complexity of obtaining GB; and 2) reducing the number of polynomials by collecting bit-level primary inputs (PIs) and integrating them as word-level variables which are compatible with our working GF.

#### 5.4.1 Simplifying the Gröbner Bases Computation

In Algorithm 6, a Gröbner basis is computed for each iteration to attain the word-level polynomial representation of the next states. In practice, for a sequential circuit with complicated structure and large size, Gröbner basis computation is intractable. To overcome the high computational complexity of computing a GB, we describe a method that computes a GB of a smaller subset of polynomials. The approach draws inspirations from [16], which defined and justified a *refined abstraction term order* (RATO). The following definition rephrases Definition 5.1 in [16] with our sequential circuit setup and notations.

**Definition 5.4** (Refined Abstraction Term Order  $>_r$ ). *Starting from the pseudo outputs (NS variables) of the combinational component of a sequential circuit  $C$ , perform a reverse topological traversal toward the pseudo inputs (PS variables) and primary inputs. Order each variable of the circuit according to its reverse topological order. Impose a LEX term order  $>_r$  on  $\mathbb{F}_q[x_1, \dots, x_d, T, S]$  with the “bit-level variables  $x_1, \dots, x_d$  ordered reverse topologically”  $> T > S$ , this term order is called RATO.*

According to proposition 5.1 in [16], if the GB is computed using RATO, there will be only one pair of polynomials  $\{f_w, f_g\}$  such that their leading monomials are not relatively prime, i.e.,

$$\gcd(LM(f_w), LM(f_g)) \neq 1$$

As a well-known fact from Buchberger’s algorithm, the S-polynomial (*Spoly*) pairs with relatively

prime leading monomials will always reduce to 0 modulo the basis and have no contribution to the Gröbner basis computation. Therefore, by removing the polynomials with relatively prime leading terms from  $J_{ckt}$ , the Gröbner basis computation is transformed to the reduction of  $Spoly(f_w, f_g)$  modulo  $J_{ckt}$ . More specifically, we turn the GB computation into one-step multivariate polynomial division, and the obtained remainder  $r$  will only contain bit-level inputs and word-level output.

**Example 5.6.** *In this example, we impose RATO on the polynomial ideal generated from the circuit in Figure 5.4(b). We start from the outputs  $t_0, t_1$ , then intermediate bit-level signals  $a, b, c, d$  because they are the fanins of the corresponding gates which fanout  $t_0, t_1$ . Then we ends at the pseudo inputs  $s_0, s_1$ , and primary input  $x$ . Thus variables in  $J_{ckt}$  can be ordered by LEX with:*

$$(t_0, t_1) > (a, b, c, d) > (x, s_0, s_1) \\ > T > S$$

*This is the RATO for circuit in Figure 5.4(b).*

*We can write down all polynomial generators of  $J_{ckt}$ :*

$$f_1 : a + xs_0s_1 + xs_0 + xs_1 + x + s_0s_1 + s_0 + s_1 + 1$$

$$f_2 : b + s_0s_1 \quad f_3 : c + x + xs_0$$

$$f_4 : d + s_0s_1 + s_0 \quad f_5 : t_0 + ab + a + 1$$

$$f_6 : t_1 + cd + c + d \quad f_7 : t_0 + t_1\alpha + T$$

*From observation, the only pair which is not relatively prime is  $(f_5, f_7)$ , thus the critical candidate polynomial pair is  $(f_w, f_g)$ , where*

$$f_w = f_5 = t_0 + a \cdot b + a + b, \quad f_g = f_7 = t_0 + t_1\alpha + T$$

*Result after reduction is:*

$$Spoly(f_w, f_g) \xrightarrow{J+J_0} T + s_0s_1x + \alpha s_0s_1 \\ + (1 + \alpha)s_0x + (1 + \alpha)s_0 + s_1x + s_1 + (1 + \alpha)x + 1$$

*The remainder contains only bit-level inputs  $(x, s_0, s_1)$  and word-level output  $T$ .*

The remainder from *Spoly* reduction contains bit-level PS variables, and our objective is to get a polynomial containing only word-level PS variables. One possible method is to rewrite bit-level variables in terms of word-level variables, i.e.,

$$s_i = \mathcal{G}(S) \quad (5.5)$$

Then we can substitute all bit-level variables with the word-level variable and obtain a word-level expression. The authors of [16] propose a method to construct a system of equations, such that the solution to the system consists of Equation 5.5. It relies on a lemma which can be derived from Fermat's Little Theorem:

**Lemma 5.2.** *For elements  $\alpha_i$  in  $\mathbb{F}_{2^k}$ , the following equation holds ( $n \geq 0$ ):*

$$(\alpha_1 + \alpha_2 + \cdots + \alpha_t)^{2^n} = \alpha_1^{2^n} + \alpha_2^{2^n} + \cdots + \alpha_t^{2^n}$$

The solution to the system of equations can be obtained by Gaussian elimination, which could compute corresponding  $\mathcal{G}(S)$  efficiently with time complexity  $O(k^3)$ .

**Example 5.7. Objective:** *Abstract polynomial  $s_i + \mathcal{G}_i(S)$  from  $f_0 : s_0 + s_1\alpha + S$ .*

*First, compute  $f_0^2 : s_0 + s_1\alpha^2 + S^2$ . Apparently variable  $s_0$  can be eliminated by operation*

$$\begin{aligned} f_1 &= f_0 + f_0^2 \\ &= (\alpha^2 + \alpha)s_1 + S^2 + S \end{aligned}$$

*Now we can solve univariate polynomial equation  $f_1 = 0$  and get solution*

$$s_1 = S^2 + S$$

*Using this solution we can easily solve equation  $f_0 = 0$ . The result is*

$$s_0 = \alpha S^2 + (1 + \alpha)S$$

More formally, polynomial expressions for  $s_i$  in terms of  $S$  can be obtained by setting up and solving the following system of equations:

$$\begin{bmatrix} S \\ S^2 \\ S^{2^2} \\ \vdots \\ S^{2^{k-1}} \end{bmatrix} = \begin{bmatrix} 1 & \alpha & \alpha^2 & \cdots & \alpha^{k-1} \\ 1 & \alpha^2 & \alpha^4 & \cdots & \alpha^{2(k-1)} \\ 1 & \alpha^4 & \alpha^8 & \cdots & \alpha^{4(k-1)} \\ \vdots & \vdots & \vdots & \ddots & \vdots \\ 1 & \alpha^{2^{k-1}} & \alpha^{2 \cdot 2^{k-1}} & \cdots & \alpha^{(k-1) \cdot 2^{k-1}} \end{bmatrix} \begin{bmatrix} s_0 \\ s_1 \\ s_2 \\ \vdots \\ s_{k-1} \end{bmatrix} \quad (5.6)$$



Let  $\vec{S}$  be a vector of  $k$  unknowns  $(s_0, \dots, s_{k-1})$ , then Equation 5.6 can be solved by using Cramer's rule or Gaussian elimination. In other words, we can obtain  $s_i = \mathcal{G}(S)$  by solving Equation 5.6 symbolically.

In this approach we get word-level variable representation for each bit-level PS variable. By substitution, a new polynomial in word-level PS/NS variables could be obtained.

After processing with RATO and bit-to-word conversions, we get a polynomial in the form of  $f_T = T + \mathcal{F}(S, x)$  denoting the **transition function**. We include a polynomial in  $S$  to define the present states  $f_S$ , as well as the set of vanishing polynomials for primary inputs  $J_0^{PI} = \langle x_1^2 - x_1, \dots, x_d^2 - x_d \rangle$ . Using elimination term order with  $S > x_i > T$ , we can compute a GB of the elimination ideal  $\langle f_T, f_S \rangle + J_0^{PI}$ . This GB contains a univariate polynomial denoting next states. The improved algorithm is depicted in Algorithm 7.

### 5.4.2 Primary Inputs Partitioning

Using above techniques we can get a remainder polynomial with only word-level PS/NS variables. However in most cases, the number of bit-level PIs will be too large for the last-step Gröbner basis computation. Therefore it is necessary to convert bit-level PIs to word-level PI variables.

As in Figure 5.6, assume there exist  $k$ -bit datapath and  $n$ -bit PIs. In finite field, we need to carefully partition  $n$  PIs such that states of each partition can be covered by a univariate polynomial respectively.

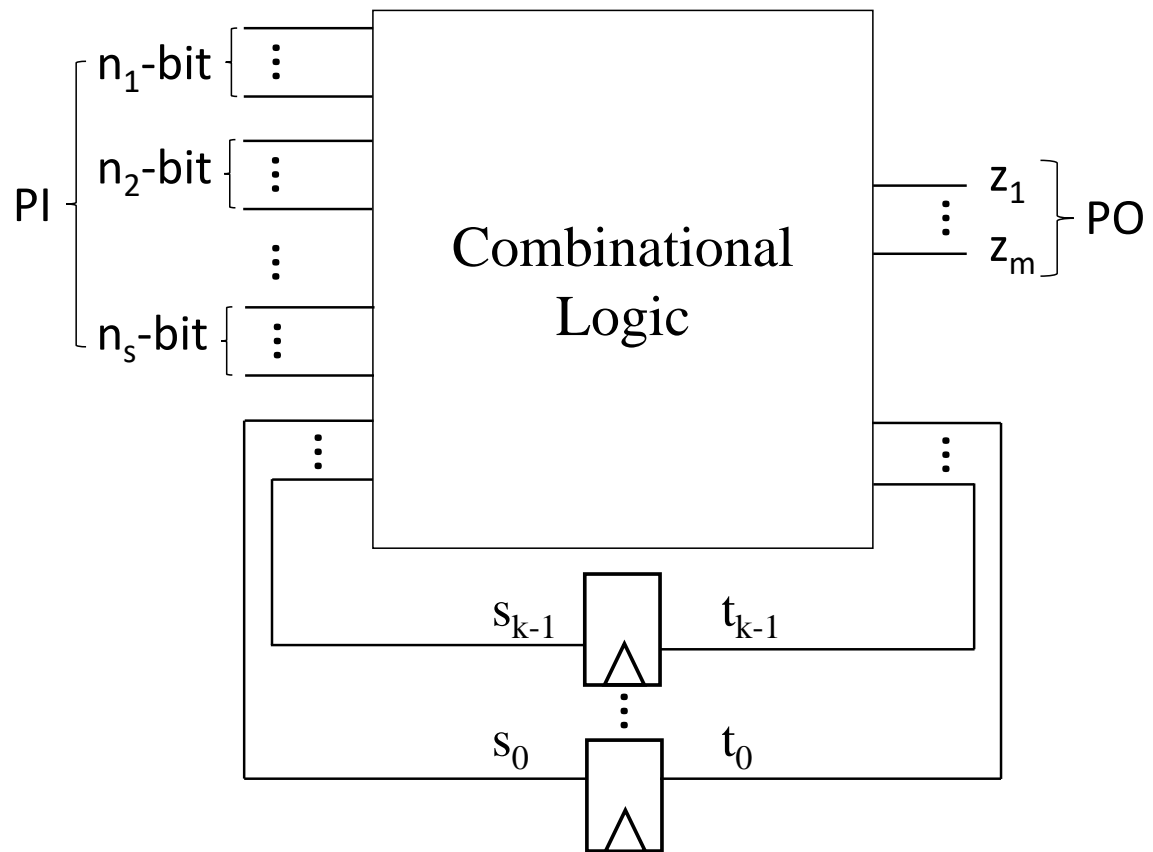
**Proposition 5.1.** *Divide  $n$ -bit PIs into partitions  $n_1, n_2, \dots, n_s$  where each  $n_i | k$ . Then let  $n_1$ -bit,  $n_2$ -bit,  $\dots$ ,  $n_s$ -bit word-level variables represent their evaluations in  $\mathbb{F}_{2^k}$  as  $\mathbb{F}_{2^{n_i}} \subset \mathbb{F}_{2^k}$ .*

Again, assume a partition  $n_i | k$  and corresponding word-level variable is  $P$ . Then we can use polynomial  $P^{2^{n_i}} - P$  to represent all signals at free-end PIs, according to the following theorem about **composite fields** [123]:

**Theorem 5.4.** *Let  $k = m \cdot n_i$ , such that  $\mathbb{F}_{2^k} = \mathbb{F}_{(2^{n_i})^m}$ . Let  $\alpha$  be primitive root of  $\mathbb{F}_{2^k}$ ,  $\beta$  be primitive root of the ground field  $\mathbb{F}_{2^{n_i}}$ . Then*

$$\beta = \alpha^\omega, \text{ where } \omega = \frac{2^k - 1}{2^{n_i} - 1}$$

**Example 5.8.** *In a sequential circuit, PS/NS inputs/outputs are 4-bit signals, which means we will use  $\mathbb{F}_{2^4}$  as working field. PIs are partitioned to 2-bit vectors, which means the ground field is  $\mathbb{F}_{2^2}$ .*



**Figure 5.6:** PI partition of a sequential circuit.

---

**Algorithm 7: Refined Algebraic Geometry based FSM Traversal**


---

**Input:** Input-output circuit characteristic polynomial ideal  $J_{ckt}$ , initial state polynomial  $\mathcal{F}(S)$   
**Output:** Final reachable states represented by polynomial  $\mathcal{G}(T)$

- 1  $from^0 = reached = \mathcal{F}(S)$ ;
- 2  $f_T = \text{Reduce}(\text{Spoly}(f_w, f_g), J_{ckt})$ ;  
 /\* Compute *Spoly* for the critical pair, then reduce it with  
 circuit ideal under RATO \*/
- 3 Eliminate bit-level variables in  $f_T$ ;
- 4 **repeat**
- 5    $i \leftarrow i + 1$ ;
- 6    $G \leftarrow \text{GB}(\langle f_T, from^{i-1} \rangle + J_0^{PI})$ ;  
 /\* Compute Gröbner basis with elimination term order:  $T$   
 smallest;  $J_0^{PI}$  covers all possible inputs from PIs \*/
- 7    $to^i \leftarrow G \cup \mathbb{F}_{2^k}[T]$ ;  
 /\* There will be a univariate polynomial in  $G$  denoting next  
 state in word-level variable  $T$  \*/
- 8    $\langle new^i \rangle \leftarrow \langle to^i \rangle + (\langle T^{2^k} - T \rangle : \langle reached \rangle)$ ;  
 /\* Use quotient of ideals to attain complement of reached  
 states, then use sum of ideals to attain an intersection  
 with next state \*/
- 9    $\langle reached \rangle \leftarrow \langle reached \rangle \cdot \langle new^i \rangle$ ;  
 /\* Use product of ideals to attain a union of new reached  
 states and formerly reached states \*/
- 10    $from^i \leftarrow new^i(S \setminus T)$ ;  
 /\* Start a new iteration by replacing variable  $T$  in new  
 reached states with current state variable  $S$  \*/
- 11 **until**  $\langle new^i \rangle == \langle 1 \rangle$ ;  
 /\* Loop until a fix-point reached: newly reached state is  
 empty \*/
- 12 **return**  $\langle reached \rangle$

---

In ground field we can represent all possible evaluations of this PI partition  $\{p_0, p_1\}$  with

$$P^4 + P, \text{ where } P = p_0 + p_1 \cdot \beta$$

Using Theorem 5.4 we get  $\beta = \alpha^5$ , so we can redefine word  $P$  as an element from  $\mathbb{F}_{2^4}$ :

$$P = p_0 + p_1 \cdot \alpha^5$$

Using this method we can efficiently partition large-size PIs to a small number of word-level PI variables. One limitation of this approach is PIs cannot be partitioned when  $k$  is prime.

## 5.5 Implementation of Word-Level FSM Traversal Algorithm

In this section, we describe the architecture of our tool which can perform word-level FSM traversal on FSM benchmark circuits. Our tool consists of 3 functional components. First, the gate-level netlist of circuit is translated to polynomial form and variables are sorted in RATO. This part is implemented using a scripting language such as *Perl*. If the given benchmark is a structural/behavior hybrid description, we perform preprocessing on it to get a synthesized netlist. Secondly, the polynomial reduction is executed using our customized reduction engine, which is written in C++. Finally, we utilize the symbolic computation engine SINGULAR [124] to code Algorithm 7 and execute the BFS traversal. The tool outputs a univariate polynomial for NS word  $T$ , denoting the set of reachable states from given initial state.

Figure 5.7 illustrates the execution of reachability analysis approach based on C++ and SINGULAR implementation.

Usually FSM designs can be described in behavior/structural hybrid languages. One of these languages is the Berkeley logic interchange format (BLIF) [125], which allows state behavior representation and logic component representation.

**Example 5.9.** *In this example, we use benchmark FSM “lion9” from the MCNC benchmark library. This benchmark circuit is given as a state-table-based BLIF representation of a FSM.*

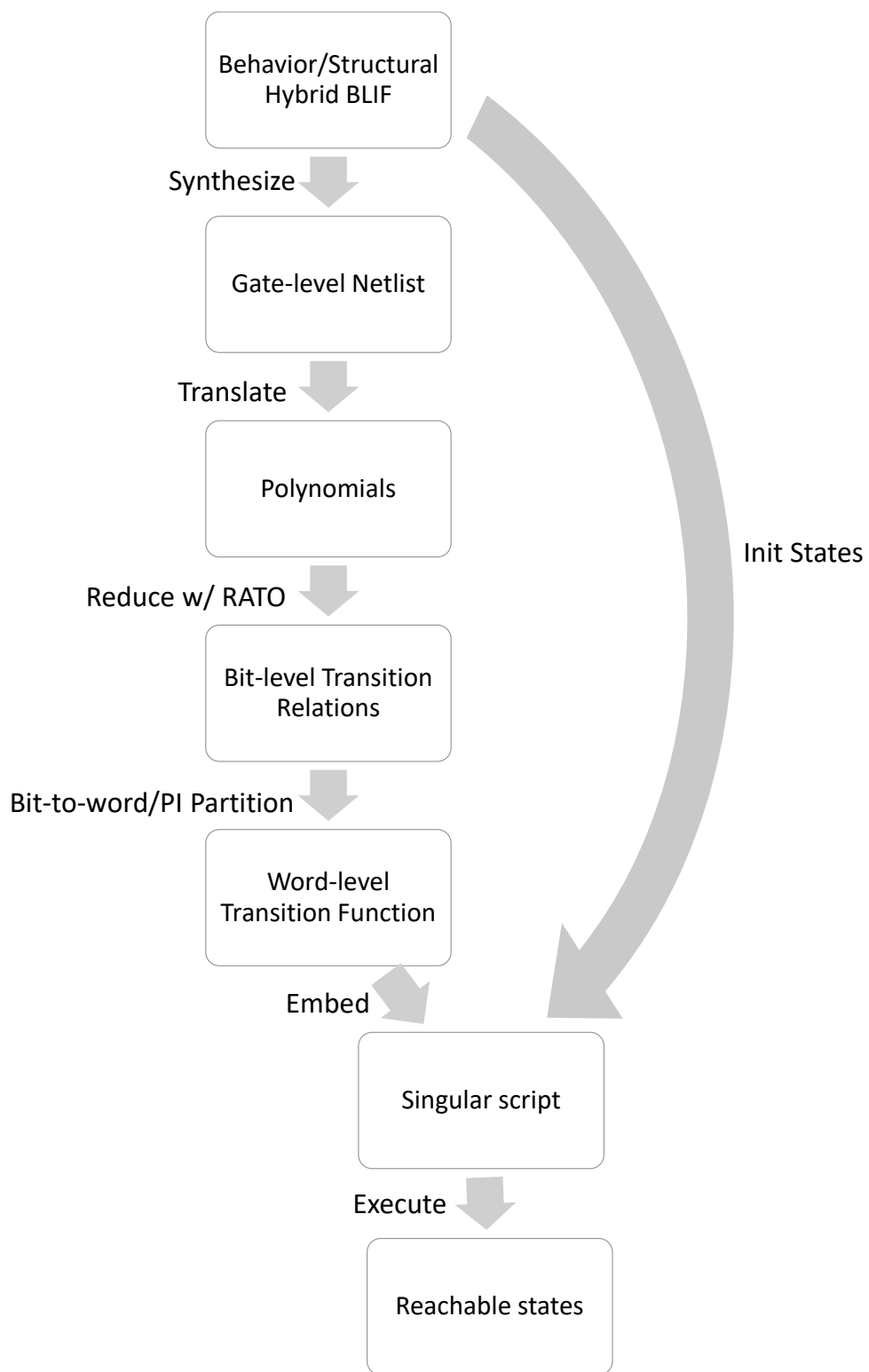
*In order to compose the polynomial set in elimination ideal, we need to synthesize it to a gate-level netlist. Modern synthesizers including ABC [126] and SIS [127] can perform this task. In this example we use a synthesis library containing only 2-input AND, NAND, OR, NOR, XOR, XNOR gates as well as the inverter; the synthesized FSM is also given in BLIF format.*

*Using our interpreter, the synthesized BLIF file is translated to a polynomial file customized for our polynomial reduction engine. The input file format includes all variables in RATO, along with the Spoly that is need to be reduced, and polynomials in  $J_{ckt}$ .*

*The result given by our reduction engine is in the form of the polynomial*

$$T + \mathcal{F}(s_0, \dots, s_{k-1}, x_0, \dots, x_{n-1})$$

*where  $s_i$  and  $x_j$  denote bit-level PS variables and PIs. Concretely in this example, the result is*



**Figure 5.7:** Execution process of word-level FSM traversal tool.

$$\begin{aligned}
& T + (\alpha^2 + \alpha + 1)x_0x_1s_1s_3 + (\alpha^3 + \alpha)x_0x_1s_1 + (\alpha + 1)x_0x_1s_3 \\
& + (\alpha^3 + 1)x_0s_1s_3 + (\alpha^3 + \alpha)x_0s_1 + (\alpha + 1)x_0s_3 + (\alpha^2)x_0 \\
& + (\alpha^2 + \alpha + 1)x_1s_1s_3 + (\alpha^3 + \alpha)x_1s_1 + (\alpha^2 + \alpha + 1)x_1s_3 \\
& + (\alpha)x_1 + (\alpha^3 + 1)s_1s_3 + (\alpha^3 + \alpha)s_1 + (\alpha^3 + 1)s_3 + \alpha^2
\end{aligned}$$

*This is the transition function of this FSM. We utilized SINGULAR to integrate both bit-to-word substitution and the traversal algorithm. In Figure 5.8, “tran” is the transition function we just obtained. “init\_S” is the initial state, note it equals to “0100” register reset values preloaded in the BLIF file. Moreover, 2 bits PIs  $x_0, x_1$  are combined to a word-level PI variable  $P$  using our conclusion in Example 5.8: “def\_X” is the definition of 2-bit word, and “red\_X” denotes the vanishing polynomial for word  $P$ .*

*After the script is executed, the traversal finishes after 4 transition iterations, which denotes BFS depth equal to 4. According to the output in Figure 5.9, the final reachable states is a degree-9 polynomial in  $T$ , indicating final reachable states set contains 9 states. And state encodings can be obtained by solving this polynomial equation.*

## 5.6 Experiment Results

We have implemented our traversal algorithm in 3 parts: the first part implements polynomial reductions (division) of the Gröbner basis computations, under the term order derived from the circuit as Line 2 in Algorithm 7. This is implemented with our customized data structure in C++. The second part implements the bit-level to word-level abstraction to attain transition functions at the word-level using the SINGULAR symbolic algebra computation system [v. 3-1-6] [124], as Line 3 in Algorithm 7; and the third part executes the reachability checking iterations using SINGULAR as well. With our tool implementation, we have performed experiments to analyze reachability of several FSMs. Our experiments run on a desktop with 3.5GHz Intel Core™ i7-4770K Quad-core CPU, 32 GB RAM and 64-bit Ubuntu Linux OS. The experiments are shown in Table 5.2.

There are 2 bottlenecks, which restricts the performance of our tool: One bottleneck is that the polynomial reduction engine is slow when the number of gates (especially OR gates) is large; the other one is the high computational complexity of a Gröbner basis engine in general. Therefore, we pick 10 FSM benchmarks of reasonable size for testing our tool. Among them “b01, b02, b06” come from ITC’99 benchmarks, “s27, s208, s386” are from ISCAS’89 benchmarks and “bbara, beecount,

```

<"FSM.lib";
// ring var: just all bit-level inputs (PS and PI) followed by S and T
ring rr = (2,X), (n23,n43,n42,n18,n40,n39,n38,n8,n31,n13,n36,n35,n34,n30,n33,v6_4,n28,n27,
n26,n25,n24,n23_1,n22,n21,n20,n19,n18_1,n17,n16,v0,v1,v2,v3,v4,v5,P,S,T), lp;
minpoly = X^4+X+1;

ideal A_in = v2,v3,v4,v5;
poly def_S = v2+ v3*X+ v4*X^2+ v5*X^3+S;
ideal X_in = v0,v1;
poly def_X = v0 + v1*X^5+P;
poly red_S = S^16+S;
poly red_T = T^16+T;
poly red_X = P^4 + P;
// red_all: all bit-level vars and red_S
ideal red_all = v0^2+v0, v1^2+v1, v2^2+v2, v3^2+v3, v4^2+v4, v5^2+v5,red_S,red_X;
poly tran = T+(X^2+X+1)*v0*v1*v3*v5+(X^3+X)*v0*v1*v3+(X+1)*v0*v1*v5
+(X^3+1)*v0*v3*v5+(X^3+X)*v0*v3+(X+1)*v0*v5+(X^2)*v0+(X^2+X+1)*v1*v3*v5+(X^3+X)*v1*v3+(X^2+X+1)*v1*
v5+(X)*v1+(X^3+1)*v3*v5+(X^3+X)*v3+(X^3+1)*v5+X^2;

poly init_S = S+X^2;
poly reached = T+X^2;

ideal l1 = preprocess(def_S, red_all, A_in);
poly unitran = conv_word(tran,l1);
l1 = preprocess(def_X, red_all, X_in);
unitran = conv_word(unitran,l1);

int i = 1;
ideal from_l,to_l,new_l;
from_l[1] = init_S;
while(1)
{
  i++;
  to_l[i] = transition(from_l[i-1],unitran,red_all);
  "Iteration #",i-2;
  "Next State(s): ",to_l[i];
  new_l[i] = redWord(to_l[i]+compl(reached,red_T), red_T);
  "Newly reached states: ",new_l[i];
  if ((redWord(new_l[i],red_T) == 1) or (i>25))
  {
    "***** TERMINATE! *****";
    break;
  }
  reached = redWord(reached * new_l[i],red_T);
  "Currently reached states: ",reached;
  from_l[i] = subst(new_l[i],T,S);
}
"BFS depth: ",i-2;
"Final reachable states: ",reached;

```

**Figure 5.8:** Singular script for executing bit-to-word substitution and traversal loop.

Iteration # 0

Next State(s):  $T^4+(X^3+X^2+X+1)*T^2+(X^2+1)*T$

Newly reached states:  $T^3+(X^2)*T^2+(X^3+X^2)*T$

Currently reached states:

$T^4+(X^3+X^2+X+1)*T^2+(X^2+1)*T$

Iteration # 1

Next State(s):

$T^5+(X^3+X^2+X)*T^4+(X^3+X^2+X+1)*T^3+(X+1)*T$

Newly reached states:  $T+(X^3+X^2+X)$

Currently reached states:

$T^5+(X^3+X^2+X)*T^4+(X^3+X^2+X+1)*T^3+(X+1)*T$

Iteration # 2

Next State(s):

$T^4+(X^3+X^2+X)*T^3+(X^2+X)*T^2+(X^2)*T+(X)$

Newly reached states:  $T^2+(X^2+X)*T+1$

Currently reached states:

$T^7+(X^3)*T^6+(X^3+X^2)*T^5+(X^3+X)*T^4+(X^3+X^2)*T^3+(X^3+X)*T^2+(X+1)*T$

Iteration # 3

Next State(s):

$T^6+(X^3+X+1)*T^5+(X^2+X+1)*T^4+(X^2+X)*T^3+(X^3+1)*T^2+(X)*T+(X^2)$

Newly reached states:  $T^3+T^2+(X^2+1)*T+(X^3)$

Currently reached states:

$T^9+(X^3+X^2+1)*T^8+(X+1)*T^5+(X^2)*T^4+(X^3+X^2)*T^3+(X^3)*T^2+(X^2+X)*T$

Iteration # 4

Next State(s):

$T^8+(X+1)*T^7+T^6+(X^3+X^2+X)*T^5+(X^3)*T^4+(X^3+X^2+1)*T^3+(X^2+X)*T^2+(X^3+X)*T$

Newly reached states: 1

\*\*\*\*\* TERMINATE! \*\*\*\*\*

**BFS depth: 4**

**Final reachable states:**

$T^9+(X^3+X^2+1)*T^8+(X+1)*T^5+(X^2)*T^4+(X^3+X^2)*T^3+(X^3)*T^2+(X^2+X)*T$

**Figure 5.9:** The output given by our traversal tool.



**Table 5.2:** Results of running benchmarks using our tool. Parts I to III denote the time taken by polynomial divisions, bit-level to word-level abstraction, and iterative reachability convergence checking part of our approach, respectively.

Benchmark	# Gates	# Latches	# PIs	# States	# iterations	Runtime (sec)			Runtime of VIS (sec)
						I	II	III	
b01	39	5	2	18	5	< 0.01	0.01	0.02	< 0.01
b02	24	4	1	8	5	< 0.01	0.01	< 0.01	< 0.01
b06	49	9	2	13	4	< 0.01	0.07	5.0	< 0.01
s27	10	3	4	6	2	< 0.01	0.01	0.02	< 0.01
s208	61	8	11	16	16	< 0.01	0.32	2.4	< 0.01
s386	118	6	13	13	3	1.0	7.6	8.2	< 0.01
bbara	82	4	4	10	6	0.04	0.01	0.04	< 0.01
beecount	48	3	3	7	3	< 0.01	0.01	0.01	< 0.01
dk14	120	3	3	7	2	45	< 0.01	0.08	< 0.01
donfile	205	5	2	24	3	12316	0.02	1.7	< 0.01

dk14, donfile” are from MCNC benchmarks. ISCAS benchmarks are given in *bench* format so we can directly read gate information, where ITC/MCNC FSMs are given in unsynthesized *BLIF* format so we first turn them into gate-level netlists using AIG-based synthesizer ABC. Since the number of primary inputs ( $m$ ) is relatively small, in our experiments we partition primary inputs as  $m$  single bit-level variables. To verify the correctness of our techniques and implementations, we compare the number of reachable states obtained from our tool against the results obtained from the VIS tool [128].

In Table 5.2, # States denotes the final reachable states starting from given reset state, which, given by our tool, is the same with the return value of *compute\_reach* in VIS. Meanwhile, from observation of the experiment run-times, we find the reduction runtime increases as the number of gates grows. Also, iterative reachability convergence check’s runtime reflects both the size of present state/next state words ( $k$ ) and the number of final reached states, which corresponds to the degree of polynomial *reached* in Algorithm 6. Although the efficiency of our initial implementation fails to compete with the BDD-based FSM analyzer VIS, the experiment demonstrates the power of abstraction of algebraic geometry techniques for reachability analysis applications.

## 5.7 Concluding Remarks

This chapter has presented a new approach to perform reachability analysis of finite state machines at the word-level. This is achieved by modeling the transition relations and sets of states by way of polynomials over finite fields  $\mathbb{F}_{2^k}$ , where  $k$  represents the size of the state register bits.

Subsequently using the concepts of elimination ideals, Gröbner bases, and quotients of ideals, we show that the set of reachable states can be encoded, canonically, as the variety of a univariate polynomial. This polynomial is computed using the Gröbner basis algorithm *w.r.t.* an elimination term order. Experiments are conducted with a few FSMs that validate the concept of word-level FSM traversal using algebraic geometry.

# CHAPTER 6

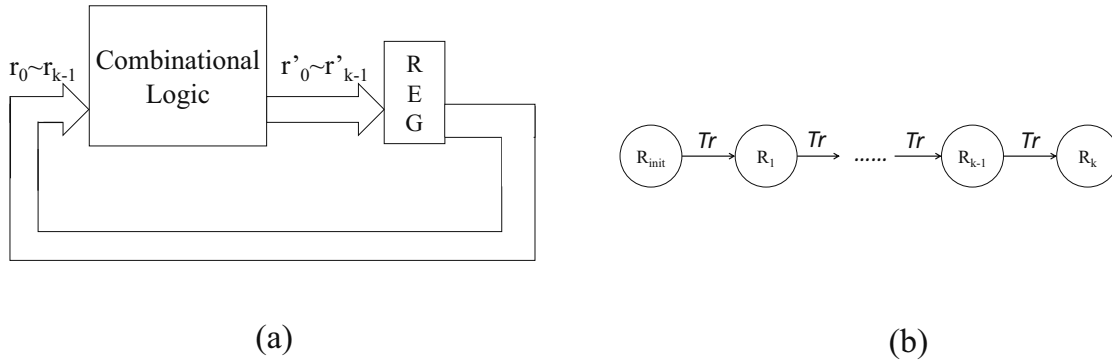
## FUNCTIONAL VERIFICATION OF SEQUENTIAL NORMAL BASIS MULTIPLIERS

With the size of sequential arithmetic circuits increasing rapidly, conventional methods become inefficient for verifying the correctness of these circuits. In Chapter 5 we proposed a FSM traversal approach at word level based on abstractions. Since the sequential arithmetic circuits can be modeled as FSMs, it is possible to apply our word-level traversal algorithm to solving the functional verification problem on these circuits. From the work of Lv [19], we learn that arithmetic circuits in Galois field (GF) can be represented using an ideal of polynomials, and the ideal generators themselves form a GB under a specialized term order obtained by a reverse topological traversal of the circuit. Furthermore, according to the work of Pruss *et al.* [16], we can also abstract the word-level signature of an arithmetic component working in GF. Thus, we consider exploiting the concepts of [19] and [16] to efficiently perform abstraction of the state-space to specific sequential GF circuits. In each time-frame, we can use the techniques from [16] to abstract the word-level signature of the combinational logic, which corresponds to the transition function in our traversal algorithm. We show how this approach can be applied to verify sequential GF multipliers which we can apply to our traversal algorithm to actually verify its functional correctness.

### 6.1 Motivation

As depicted in Figure 6.1(a), a typical Moore machine implementation consists of combinational logic component and register files, where  $r_0, \dots, r_k$  are present state (PS) variables standing for pseudo inputs, and  $r'_0, \dots, r'_k$  are next state (NS) variables standing for pseudo outputs. Figure 6.1(b) shows the state transition graph (STG) of a GF arithmetic circuit implementation of a Moore machine with  $k + 1$  distinct states. We notice that it forms a simple chain, with  $k$  consecutive transitions the machine reaches final state  $R_k$ .

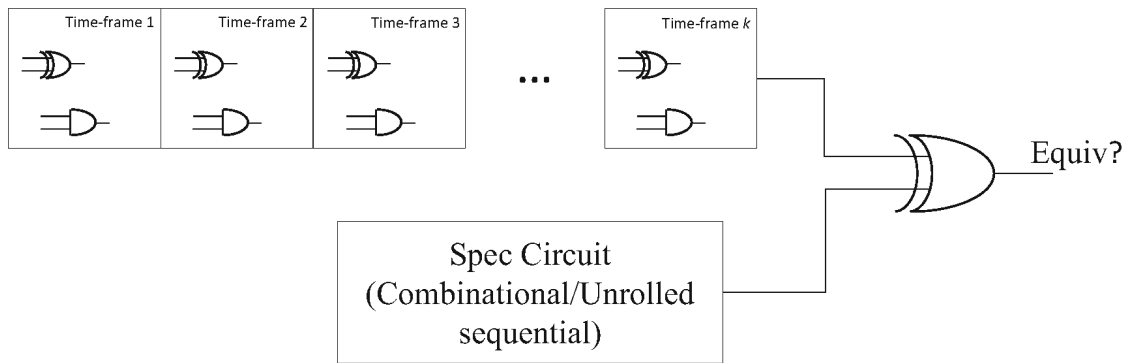
In practice, some arithmetic components are designed in sequential circuits similar to the struc-



**Figure 6.1:** A typical Moore machine and its state transition graph.

ture in Figure 6.1(a). Initially the operands are loaded into the registers, then the closed circuit executes without taking any additional information from outside, and stores the results in registers after  $k$  clock cycles. Its behavior can be described using the STG in Figure 6.1(b): state  $R$  denotes the bits stored in registers. Concretely,  $R_{init}$  is the initial state,  $R_1$  to  $R_{k-1}$  are intermediate results stored as NS variables of current time-frame and PS variables for the next time-frame, and  $R_k$  (or  $R_{final}$ ) is the final result given by arithmetic circuits (and equals to the arithmetic function when circuit is working correctly). This kind of design results in reusing a smaller combinational logic component such that the area cost is greatly optimized. An example of such designs is the sequential GF arithmetic multipliers described in Chapter 3. However, it also brings difficulties in verifying the circuit functions.

Conventional methods to such a sequential circuit may consist of unrolling the circuit for  $k$  time-frames, and performing an equivalence checking between the unrolled machine and the specification function, as shown in Figure 6.2. However, the number of gates will grow fast when unrolling at bit level. Meanwhile the structural similarity-based equivalence checking techniques will fail when the sequential circuit is highly customized and optimized from the naive specification function. As a result, conventional techniques are grossly inefficient for large circuits. Therefore, a new method based on our proposed word-level FSM traversal technique is worthy of exploration.



**Figure 6.2:** Conventional verification techniques based on bit-level unrolling and equivalence checking.

## 6.2 Formal Verification of Normal Basis Multipliers Using Gröbner Bases

The gate-level design of a NB multiplier can be generated using approaches introduced in Section 3.3. The gate-level netlist is ready to be verified using an approach similar to that in Chapter 5. First we introduce the sketch of our approach using abstraction term order (ATO), mentioned previously in Section 4.3, then refine our approach using the concept of “RATO”, which was previously used in Section 5.4.

### 6.2.1 Implicit Unrolling Based on Abstraction with ATO

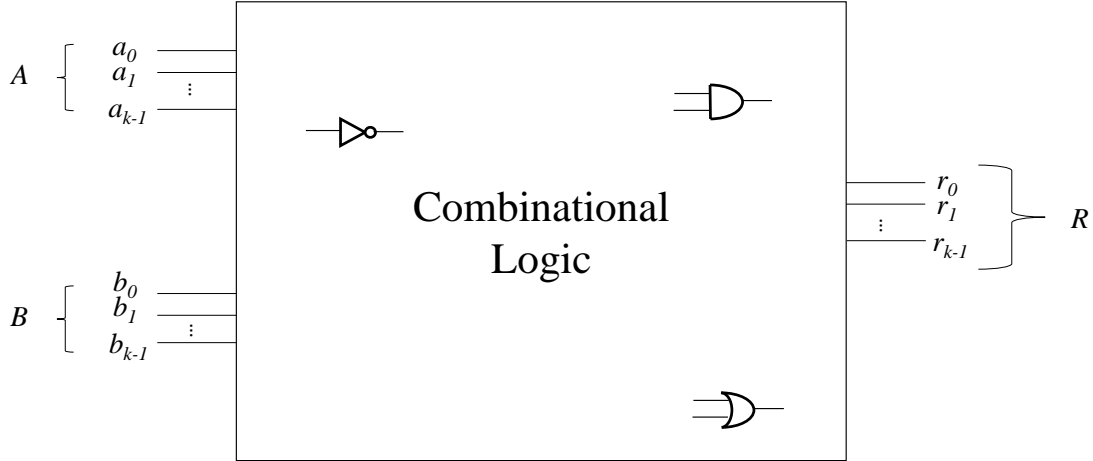
The concept of abstraction was discussed in Section 4.3. If we use an elimination term order with *intermediate variables*  $R > A, B$  for the circuit in Figure 6.3 to compute Gröbner basis, the function of the combinational logic component can be abstracted as

$$R = \mathcal{F}(A, B)$$

To verify the functional correctness of a combinational NB multiplier (e.g., Mastrovito multiplier or Montgomery multiplier), the function given by abstraction will be computed as

$$R = A \cdot B$$

While in the sequential case, the function of combinational logic only fulfills a part of the multiplication. For example, in the RH-SMPO introduced in Section 3.3, the combinational logic actually implements  $F_{k-1}$  in Equation 3.16, while computing all of  $F_i$  requires  $k$ -cycle unrolling of the



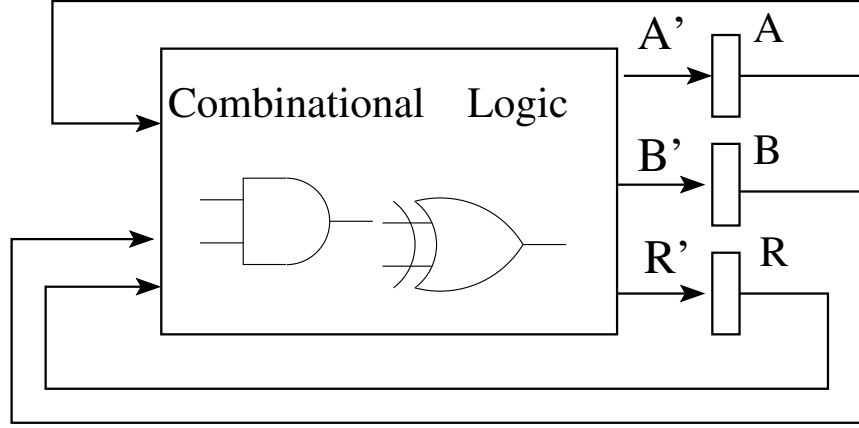
**Figure 6.3:** Architecture of a combinational GF multiplier.

circuit. Nevertheless, the abstraction still provides a word-level representation which can be more efficient for unrolling than bit-level expressions. In other words, with the assistance of abstraction, we can execute implicit unrolling instead of explicit unrolling and avoid a bit-blasting problem.

For 2-input sequential NB multipliers, abstraction is utilized to implement Algorithm 8. Notations in Figure 6.4 as well as in the next example comply with the notations in this algorithm.

Given a sequential GF circuit in Figure 6.4 over  $\mathbb{F}_{2^k} = \mathbb{F}_2[x]$ , irreducible polynomial  $p(\alpha) = 0$  defines the primitive element  $\alpha$ ,  $\beta = \alpha^t$  is the normal element. The circuit includes word-level variables  $A, B, R$  denoting the *present states (PS)* and  $A', B', R'$  denoting the *next states (NS)* of the machine; where  $A = \sum_{i=0}^{k-1} a_i \beta^{2^i}$  for the PS variables and  $A' = \sum_{i=0}^{k-1} a'_i \beta^{2^i}$  for NS variables, and so on. Variables  $R$  ( $R'$ ) correspond to those that store the result, and  $A, B$  ( $A', B'$ ) store input operands. For example, for a GF multiplier,  $A_{init}, B_{init}$  (and  $R_{init} = 0$ ) are the initial values (operands) loaded into the registers, and  $R = \mathcal{F}(A_{init}, B_{init}) = A_{init} \times B_{init}$  is the final result after  $k$ -cycles. Our approach aims to find this polynomial representation for  $R$ .

Each gate in the combinational logic is represented by a Boolean polynomial. To this set of Boolean polynomials, we append the polynomials that define the word-level to bit-level relations for PS and NS variables ( $A = \sum_{i=0}^{k-1} a_i \beta^{2^i}$ ). We denote this set of polynomials as ideal



**Figure 6.4:** A typical normal basis GF sequential circuit model.  $A = (a_0, \dots, a_{k-1})$  and similarly  $B, R$  are  $k$ -bit registers;  $A', B', R'$  denote next-state inputs.

---

**Algorithm 8:** Abstraction via implicit unrolling for Sequential GF circuit verification

---

**Input:** Circuit polynomial ideal  $J_{ckt}$ , vanishing ideal  $J_0$ , initial state ideal for output  $R(= 0)$ , inputs  $\mathcal{G}(A_{init}), \mathcal{H}(B_{init})$

**Output:** Circuit function  $R_{final}$  after  $k$  cycles of  $A_{init}, B_{init}$

- 1  $from_0(R, A, B) = \langle R, \mathcal{G}(A_{init}), \mathcal{H}(B_{init}) \rangle$ ;  
 /\*  $A, B$  are word-level variables, solutions to polynomial equations  $\mathcal{G}, \mathcal{H}$  denote the initial values of preloaded operands  $A_{init}, B_{init}$  \*/
- 2  $i = 0$ ;
- 3 **repeat**
- 4    $i \leftarrow i + 1$ ;
- 5    $G \leftarrow \text{GB}(\langle J_{ckt} + J_0 + from_{i-1}(R, A, B) \rangle)$  with ATO;
- 6    $to_i(R', A', B') \leftarrow G \cap \mathbb{F}_2^k[R', A', B', R, A, B]$ ;  
 /\* Using projections of varieties from abstraction theory, we get NS variables  $R', A', B'$  in terms of PS  $A, B$  \*/
- 7    $from_i \leftarrow to_i(\{R, A, B\} \setminus \{R', A', B'\})$ ;  
 /\* By replacing NS variables with PS variables we push it to next time-frame \*/
- 8 **until**  $i == k$ ;
- 9 **return**  $from_k(R_{final})$

---

$J_{ckt} = \langle f_1, \dots, f_s \rangle \subset \mathbb{F}_2[x_1, \dots, x_d, R, R', A, A', B, B']$ , where  $x_1, \dots, x_d$  denote the bit-level (Boolean) variables of the circuit. The ideal of vanishing polynomials  $J_0 = \langle x_i^2 - x_i, R_j^{2^k} - R_j \rangle$ ,  $\forall$  bit-level variables  $x_i$ , and word-level variables  $R_j$ , is also included. Then the implicit FSM unrolling problem is set up for abstraction.

The configurations of the flip-flops are the states of the machine. Since the set of states is a finite set of points, we can consider it as the variety of an ideal related to the circuit. Moreover, since we

are interested in the function encoded by the state variables (over  $k$ -time frames), we can project this variety on the word-level state variables, starting from the initial state  $A_{init}, B_{init}$ . Projection of varieties (geometry) corresponds to elimination ideals (algebra), and can be analyzed via Gröbner bases as shown in Section 4.3. Therefore, we employ a Gröbner basis computation with ATO: we use a *lex term order* with *bit-level variables*  $>$  *word-level NS outputs*  $>$  *word-level PS inputs*. This allows us to eliminate all the bit-level variables and derives a representation only in terms of words. Consequently,  $k$ -successive Gröbner basis computations implicitly unroll the machine, and provide a word-level algebraic  $k$ -cycle abstraction for  $R'$  as  $R' = \mathcal{F}(A_{init}, B_{init})$ .

Algorithm 8 describes our approach. In the algorithm,  $from_i$  and  $to_i$  are polynomial ideals whose varieties are the valuations of word-level variables  $R, A, B$  and  $R', A', B'$  in the  $i$ -th iteration; and the notation “\” signifies that the *NS* in iteration ( $i$ ) becomes the *PS* in iteration ( $i + 1$ ). Line 5 computes the Gröbner basis with the abstraction term order. Line 6 computes the elimination ideal, eliminating the bit-level variables and representing the set of reachable states up to iteration  $i$  in terms of the elimination ideal. These computations are analogous to those of image computations performed in the FSM reachability algorithm (given in Chapter 5).

In the practice of sequential GF multiplier verification, the combinational logic actually implements function not only related to current operands  $A$  and  $B$ , but also involved with PS variable (i.e., temporary product)  $R$ , which can be obtained using the abstraction:

$$R' = \mathcal{F}(A, B, R)$$

Using ATO, if we put  $R$  ahead of  $R', A, B$  in term ordering,  $R$  is thus eliminated and the result in single iteration will be  $R' = \mathcal{F}(A, B)$ . NS operands  $A'$  and  $B'$  are right-cyclic shift of  $A$  and  $B$ , which can be directly written. If initial values  $A_{init}, B_{init}$  are treated as parameters, the NS ideal contains polynomials with  $A', B'$  and  $R' = \mathcal{F}(A_{init}, B_{init})$ . This is also shown in the following example.

**Example 6.1** (Functional verification of 5-bit RH-SMPO). *Figure 3.3 shows the detailed structure of a 5-bit RH-SMPO, with normal element  $\beta = \alpha^5$ . The transition function for operands  $A, B$  perform cyclic shift, while the transition function for  $R$  has to be computed through the Gröbner basis abstraction approach. Following ideal  $J_{ckt}$  from line 5 in Algorithm 8 is the ideal for all gates in a combinational logic block and definition of word-level variables.*

$$J_{ckt} = \langle f_1, f_2, \dots, f_{19} \rangle$$



$$\left. \begin{array}{l}
d_0 + a_4b_4, c_1 + a_0 + a_4, c_2 + b_0 + b_4, d_1 + c_1c_2, c_3 + a_1a_4 \\
c_4 + b_1b_4, d_2 + c_3c_4, e_0 + d_0 + d_1, e_3 + d_1 + d_2, e_4 + d_2 \\
R_0 + r_4 + e_0, R_1 + r_0, R_2 + r_1, R_3 + r_2 + e_3, R_4 + r_3 + e_4 \\
A + a_0\alpha^5 + a_1\alpha^{10} + a_2\alpha^{20} + a_3\alpha^9 + a_4\alpha^{18} \\
B + b_0\alpha^5 + b_1\alpha^{10} + b_2\alpha^{20} + b_3\alpha^9 + b_4\alpha^{18} \\
R' + r'_0\alpha^5 + r'_1\alpha^{10} + r'_2\alpha^{20} + r'_3\alpha^9 + r'_4\alpha^{18} \\
R + R_0\alpha^5 + R_1\alpha^{10} + R_2\alpha^{20} + R_3\alpha^9 + R_4\alpha^{18}
\end{array} \right\} \begin{array}{l} \{f_1 \dots f_{15}\} \\ \\ \\ \{f_{16} \dots f_{19}\} \end{array}$$

In our implementation here, since we only focus on the output variable  $R$ , evaluations of intermediate input operands  $A, B$  are replaced by evaluations with parameters  $A_{init}, B_{init}$ . Thus polynomials describing  $A$  and  $B$  ( $f_{16}$  and  $f_{17}$ ) can be removed from  $J_{ckt}$ , and  $R$  is directly evaluated by initial operands  $A_{init}$  and  $B_{init}$ . Those two parameters are associated with PS bit-level inputs  $a_0, a_1, \dots, a_4$  and  $b_0, b_1, \dots, b_4$  by polynomials given in  $from^i$ .

According to line 5 of Algorithm 8, we merge  $J_{ckt}$ ,  $J_0$  and  $from^i$ , then compute its Gröbner basis with abstraction term order. Concretely, in the first iteration  $from^0$  contains three generators. The first one describes PS variable  $R$  – temporary (or initial, in first iteration) product, which equals to 0 according to the mechanism of sequential GF multiplier. The polynomial is written as

$$R$$

The other two polynomials describe PS variable  $A, B$  – current multiplication operands, and we write them in parameters  $A_{init}, B_{init}$ . Since this is the first iteration, they have the same form as  $f_{16}$  and  $f_{17}$ :

$$\begin{aligned}
A_{init} + a_0\alpha^5 + a_1\alpha^{10} + a_2\alpha^{20} + a_3\alpha^9 + a_4\alpha^{18} \\
B_{init} + b_0\alpha^5 + b_1\alpha^{10} + b_2\alpha^{20} + b_3\alpha^9 + b_4\alpha^{18}
\end{aligned}$$

After computing the Gröbner basis of  $J_{ckt} + J_0 + from^0$  using ATO

$$\text{all bit-level variables} > R > \{R', A_{init}, B_{init}\}$$

there is a polynomial in the form of  $R' + \mathcal{F}(A_{init}, B_{init})$ , which should be included in  $to^{i+1}$ .  $to^{i+1}$  also excludes next state variable  $A'$  and  $B'$ , instead we redefine  $A_{init}$  and  $B_{init}$  using next state bit-level variables  $\{a'_i, b'_j\}$ . Next state Bit-level variables  $a'_i = a_{i-1 \pmod k}, b'_j = b_{j-1 \pmod k}$  according to definition of cyclic shift.

Line 7 in Algorithm 8 is implemented by replacing  $R'$  with  $R$ ,  $\{a'_i, b'_j\}$  with  $\{a_i, b_j\}$ .

All intermediate results for each clock cycle are listed below:

- **Clock-cycle 1:  $\mathbf{from}^0 = \{R, A_{init} + a_0\alpha^5 + a_1\alpha^{10} + a_2\alpha^{20} + a_3\alpha^9 + a_4\alpha^{18}, B_{init} + b_0\alpha^5 + b_1\alpha^{10} + b_2\alpha^{20} + b_3\alpha^9 + b_4\alpha^{18}\}$ ,  
 $\mathbf{to}^1 = \{R' + (\alpha^4 + \alpha^3 + 1)A_{init}^{16}B_{init}^{16} + (\alpha^4 + \alpha^2)A_{init}^{16}B_{init}^4 + (\alpha^3 + 1)A_{init}^{16}B_{init}^2 + (\alpha^4 + \alpha^3 + 1)A_{init}^{16}B_{init} + (\alpha^4 + \alpha^3 + \alpha^2 + 1)A_{init}^8B_{init}^8 + (\alpha^4 + \alpha^3 + \alpha + 1)A_{init}^8B_{init}^4 + (\alpha^3 + \alpha + 1)A_{init}^8B_{init}^2 + (\alpha^4 + \alpha^2)A_{init}^8B_{init} + (\alpha^4 + \alpha^2)A_{init}^4B_{init}^{16} + (\alpha^4 + \alpha^3 + \alpha + 1)A_{init}^4B_{init}^8 + (\alpha^2)A_{init}^4B_{init}^4 + (\alpha^3 + \alpha^2 + \alpha + 1)A_{init}^4B_{init}^2 + (\alpha^4 + \alpha^3 + \alpha + 1)A_{init}^4B_{init} + (\alpha^3 + 1)A_{init}^2B_{init}^{16} + (\alpha^3 + \alpha + 1)A_{init}^2B_{init}^8 + (\alpha^3 + \alpha^2 + \alpha + 1)A_{init}^2B_{init}^4 + (\alpha^3 + \alpha^2 + \alpha)A_{init}^2B_{init}^2 + (\alpha^4 + \alpha)A_{init}^2B_{init} + (\alpha^4 + \alpha^3 + 1)A_{init}B_{init}^{16} + (\alpha^4 + \alpha^2)A_{init}B_{init}^8 + (\alpha^4 + \alpha^3 + \alpha + 1)A_{init}B_{init}^4 + (\alpha^4 + \alpha)A_{init}B_{init}^2 + (\alpha^3 + \alpha + 1)A_{init}B_{init}, A_{init} + a'_4\alpha^5 + a'_0\alpha^{10} + a'_1\alpha^{20} + a'_2\alpha^9 + a'_3\alpha^{18}, B_{init} + b'_4\alpha^5 + b'_0\alpha^{10} + b'_1\alpha^{20} + b'_2\alpha^9 + b'_3\alpha^{18}\}$**
- **Clock-cycle 2:  $\mathbf{from}^1 = \{R + (\alpha^4 + \alpha^3 + 1)A_{init}^{16}B_{init}^{16} + (\alpha^4 + \alpha^2)A_{init}^{16}B_{init}^4 + (\alpha^3 + 1)A_{init}^{16}B_{init}^2 + (\alpha^4 + \alpha^3 + 1)A_{init}^{16}B_{init} + (\alpha^4 + \alpha^3 + \alpha^2 + 1)A_{init}^8B_{init}^8 + (\alpha^4 + \alpha^3 + \alpha + 1)A_{init}^8B_{init}^4 + (\alpha^3 + \alpha + 1)A_{init}^8B_{init}^2 + (\alpha^4 + \alpha^2)A_{init}^8B_{init} + (\alpha^4 + \alpha^2)A_{init}^4B_{init}^{16} + (\alpha^4 + \alpha^3 + \alpha + 1)A_{init}^4B_{init}^8 + (\alpha^2)A_{init}^4B_{init}^4 + (\alpha^3 + \alpha^2 + \alpha + 1)A_{init}^4B_{init}^2 + (\alpha^4 + \alpha^3 + \alpha + 1)A_{init}^4B_{init} + (\alpha^3 + 1)A_{init}^2B_{init}^{16} + (\alpha^3 + \alpha + 1)A_{init}^2B_{init}^8 + (\alpha^3 + \alpha^2 + \alpha + 1)A_{init}^2B_{init}^4 + (\alpha^3 + \alpha^2 + \alpha)A_{init}^2B_{init}^2 + (\alpha^4 + \alpha)A_{init}^2B_{init} + (\alpha^4 + \alpha^3 + 1)A_{init}B_{init}^{16} + (\alpha^4 + \alpha^2)A_{init}B_{init}^8 + (\alpha^4 + \alpha^3 + \alpha + 1)A_{init}B_{init}^4 + (\alpha^4 + \alpha)A_{init}B_{init}^2 + (\alpha^3 + \alpha + 1)A_{init}B_{init}, A_{init} + a_4\alpha^5 + a_0\alpha^{10} + a_1\alpha^{20} + a_2\alpha^9 + a_3\alpha^{18}, B_{init} + b_4\alpha^5 + b_0\alpha^{10} + b_1\alpha^{20} + b_2\alpha^9 + b_3\alpha^{18}\}$ ,  
 $\mathbf{to}^2 = \{R' + (\alpha^3 + \alpha + 1)A_{init}^{16}B_{init}^{16} + (\alpha^4 + \alpha^3 + 1)A_{init}^{16}B_{init}^8 + (\alpha^2)A_{init}^{16}B_{init}^4 + (\alpha^3 + 1)A_{init}^{16}B_{init}^2 + (\alpha^4 + \alpha^3 + 1)A_{init}^8B_{init}^{16} + (\alpha^4 + \alpha^2)A_{init}^8B_{init}^8 + (\alpha^4)A_{init}^8B_{init}^4 + (\alpha^4 + \alpha^3 + 1)A_{init}^8B_{init}^2 + (\alpha^3 + 1)A_{init}^8B_{init} + (\alpha^2)A_{init}^4B_{init}^{16} + (\alpha^4)A_{init}^4B_{init}^8 + (\alpha^4)A_{init}^4B_{init}^4 + (\alpha^4 + \alpha^3 + \alpha + 1)A_{init}^4B_{init}^2 + (\alpha)A_{init}^4B_{init} + (\alpha^3 + 1)A_{init}^2B_{init}^{16} + (\alpha^4 + \alpha^3 + 1)A_{init}^2B_{init}^8 + (\alpha^4 + \alpha^3 + \alpha + 1)A_{init}^2B_{init}^4 + (\alpha^2)A_{init}^2B_{init}^2 + (\alpha^4 + \alpha^3 + \alpha^2 + \alpha + 1)A_{init}^2B_{init} + (\alpha^3 + 1)A_{init}B_{init}^8 + (\alpha)A_{init}B_{init}^4 + (\alpha^4 + \alpha^3 + \alpha^2 + \alpha + 1)A_{init}B_{init}^2 + (\alpha^4 + \alpha^3 + \alpha^2 + \alpha + 1)A_{init}B_{init}, A_{init} + a'_3\alpha^5 + a'_4\alpha^{10} + a'_0\alpha^{20} + a'_1\alpha^9 + a'_2\alpha^{18}, B_{init} + b'_3\alpha^5 + b'_4\alpha^{10} + b'_0\alpha^{20} + b'_1\alpha^9 + b'_2\alpha^{18}\}$**
- **Clock-cycle 3:  $\mathbf{from}^2 = \{R + (\alpha^3 + \alpha + 1)A_{init}^{16}B_{init}^{16} + (\alpha^4 + \alpha^3 + 1)A_{init}^{16}B_{init}^8 + (\alpha^2)A_{init}^{16}B_{init}^4 + (\alpha^3 + 1)A_{init}^{16}B_{init}^2 + (\alpha^4 + \alpha^3 + 1)A_{init}^8B_{init}^{16} + (\alpha^4 + \alpha^2)A_{init}^8B_{init}^8 +$**

$$\begin{aligned}
& (\alpha^4)A_{init}^8B_{init}^4 + (\alpha^4 + \alpha^3 + 1)A_{init}^8B_{init}^2 + (\alpha^3 + 1)A_{init}^8B_{init} + (\alpha^2)A_{init}^4B_{init}^{16} + (\alpha^4)A_{init}^4B_{init}^8 + \\
& (\alpha^4)A_{init}^4B_{init}^4 + (\alpha^4 + \alpha^3 + \alpha + 1)A_{init}^4B_{init}^2 + (\alpha)A_{init}^4B_{init} + (\alpha^3 + 1)A_{init}^2B_{init}^{16} + (\alpha^4 + \\
& \alpha^3 + 1)A_{init}^2B_{init}^8 + (\alpha^4 + \alpha^3 + \alpha + 1)A_{init}^2B_{init}^4 + (\alpha^2)A_{init}^2B_{init}^2 + (\alpha^4 + \alpha^3 + \alpha^2 + \alpha + \\
& 1)A_{init}^2B_{init} + (\alpha^3 + 1)A_{init}B_{init}^8 + (\alpha)A_{init}B_{init}^4 + (\alpha^4 + \alpha^3 + \alpha^2 + \alpha + 1)A_{init}B_{init}^2 + \\
& (\alpha^4 + \alpha^3 + \alpha^2 + \alpha + 1)A_{init}B_{init}, A_{init} + a_3\alpha^5 + a_4\alpha^{10} + a_0\alpha^{20} + a_1\alpha^9 + a_2\alpha^{18}, B_{init} + \\
& b_3\alpha^5 + b_4\alpha^{10} + b_0\alpha^{20} + b_1\alpha^9 + b_2\alpha^{18}\},
\end{aligned}$$

$$\begin{aligned}
\mathbf{to}^3 = \{ & R' + (\alpha^4 + \alpha^3 + 1)A_{init}^{16}B_{init}^{16} + (\alpha)A_{init}^{16}B_{init}^8 + (\alpha^4 + \alpha^3 + \alpha^2 + 1)A_{init}^{16}B_{init}^4 + (\alpha^4 + \\
& \alpha^3 + \alpha^2 + \alpha + 1)A_{init}^{16}B_{init}^2 + (\alpha^4 + \alpha^3 + \alpha^2 + 1)A_{init}^{16}B_{init} + (\alpha)A_{init}^8B_{init}^{16} + (\alpha + 1)A_{init}^8B_{init}^8 + \\
& (\alpha^4)A_{init}^8B_{init}^4 + (\alpha^3 + \alpha^2 + 1)A_{init}^8B_{init}^2 + (\alpha^4 + \alpha^3 + \alpha + 1)A_{init}^8B_{init} + (\alpha^4 + \alpha^3 + \alpha^2 + \\
& 1)A_{init}^4B_{init}^{16} + (\alpha^4)A_{init}^4B_{init}^8 + (\alpha^4 + \alpha^3 + \alpha + 1)A_{init}^4B_{init}^4 + (\alpha^3 + \alpha + 1)A_{init}^4B_{init}^2 + (\alpha^4 + \\
& \alpha^3 + \alpha^2 + \alpha + 1)A_{init}^4B_{init} + (\alpha^4 + \alpha^3 + \alpha^2 + \alpha + 1)A_{init}^2B_{init}^{16} + (\alpha^3 + \alpha^2 + 1)A_{init}^2B_{init}^8 + \\
& (\alpha^3 + \alpha + 1)A_{init}^2B_{init}^4 + (\alpha^3 + \alpha + 1)A_{init}^2B_{init}^2 + (\alpha^4 + \alpha^3 + \alpha^2 + 1)A_{init}B_{init}^{16} + (\alpha^4 + \\
& \alpha^3 + \alpha + 1)A_{init}B_{init}^8 + (\alpha^4 + \alpha^3 + \alpha^2 + \alpha + 1)A_{init}B_{init}^4 + (\alpha^4 + \alpha)A_{init}B_{init}, A_{init} + \\
& a'_2\alpha^5 + a'_3\alpha^{10} + a'_4\alpha^{20} + a'_0\alpha^9 + a'_1\alpha^{18}, B_{init} + b'_2\alpha^5 + b'_3\alpha^{10} + b'_4\alpha^{20} + b'_0\alpha^9 + b'_1\alpha^{18}\}
\end{aligned}$$

- **Clock-cycle 4: from<sup>3</sup>** =  $\{R + (\alpha^4 + \alpha^3 + 1)A_{init}^{16}B_{init}^{16} + (\alpha)A_{init}^{16}B_{init}^8 + (\alpha^4 + \alpha^3 + \alpha^2 + 1)A_{init}^{16}B_{init}^4 + (\alpha^4 + \alpha^3 + \alpha^2 + \alpha + 1)A_{init}^{16}B_{init}^2 + (\alpha^4 + \alpha^3 + \alpha^2 + 1)A_{init}^{16}B_{init} + (\alpha)A_{init}^8B_{init}^{16} + (\alpha + 1)A_{init}^8B_{init}^8 + (\alpha^4)A_{init}^8B_{init}^4 + (\alpha^3 + \alpha^2 + 1)A_{init}^8B_{init}^2 + (\alpha^4 + \alpha^3 + \alpha + 1)A_{init}^8B_{init} + (\alpha^4 + \alpha^3 + \alpha^2 + 1)A_{init}^4B_{init}^{16} + (\alpha^4)A_{init}^4B_{init}^8 + (\alpha^4 + \alpha^3 + \alpha + 1)A_{init}^4B_{init}^4 + (\alpha^3 + \alpha + 1)A_{init}^4B_{init}^2 + (\alpha^4 + \alpha^3 + \alpha^2 + \alpha + 1)A_{init}^4B_{init} + (\alpha^4 + \alpha^3 + \alpha^2 + \alpha + 1)A_{init}^2B_{init}^{16} + (\alpha^3 + \alpha^2 + 1)A_{init}^2B_{init}^8 + (\alpha^3 + \alpha + 1)A_{init}^2B_{init}^4 + (\alpha^3 + \alpha + 1)A_{init}^2B_{init}^2 + (\alpha^4 + \alpha^3 + \alpha^2 + 1)A_{init}B_{init}^{16} + (\alpha^4 + \alpha^3 + \alpha + 1)A_{init}B_{init}^8 + (\alpha^4 + \alpha^3 + \alpha^2 + \alpha + 1)A_{init}B_{init}^4 + (\alpha^4 + \alpha)A_{init}B_{init}, A_{init} + a_2\alpha^5 + a_3\alpha^{10} + a_4\alpha^{20} + a_0\alpha^9 + a_1\alpha^{18}, B_{init} + b_2\alpha^5 + b_3\alpha^{10} + b_4\alpha^{20} + b_0\alpha^9 + b_1\alpha^{18}\},$

$$\begin{aligned}
\mathbf{to}^4 = \{ & R' + (\alpha^3 + \alpha + 1)A_{init}^{16}B_{init}^{16} + (\alpha^4 + \alpha^3 + \alpha^2 + \alpha + 1)A_{init}^{16}B_{init}^8 + (\alpha^4 + \alpha)A_{init}^{16}B_{init}^4 + \\
& (\alpha^3 + 1)A_{init}^{16}B_{init}^2 + (\alpha^3 + \alpha + 1)A_{init}^{16}B_{init} + (\alpha^4 + \alpha^3 + \alpha^2 + \alpha + 1)A_{init}^8B_{init}^{16} + (\alpha^3 + \\
& 1)A_{init}^8B_{init}^8 + (\alpha^4 + \alpha^2 + \alpha)A_{init}^8B_{init}^4 + (\alpha^2 + \alpha)A_{init}^8B_{init}^2 + (\alpha^3 + \alpha^2 + 1)A_{init}^8B_{init} + (\alpha^4 + \\
& \alpha)A_{init}^4B_{init}^{16} + (\alpha^4 + \alpha^2 + \alpha)A_{init}^4B_{init}^8 + (\alpha^4 + \alpha^2 + \alpha)A_{init}^4B_{init}^4 + (\alpha^2 + \alpha)A_{init}^4B_{init} + \\
& (\alpha^3 + 1)A_{init}^2B_{init}^{16} + (\alpha^2 + \alpha)A_{init}^2B_{init}^8 + (\alpha^4 + \alpha^2)A_{init}^2B_{init}^2 + (\alpha^3 + \alpha^2 + 1)A_{init}^2B_{init} + \\
& (\alpha^3 + \alpha + 1)A_{init}B_{init}^{16} + (\alpha^3 + \alpha^2 + 1)A_{init}B_{init}^8 + (\alpha^2 + \alpha)A_{init}B_{init}^4 + (\alpha^3 + \alpha^2 + \\
& 1)A_{init}B_{init}^2 + (\alpha)A_{init}B_{init}, A_{init} + a'_1\alpha^5 + a'_2\alpha^{10} + a'_3\alpha^{20} + a'_4\alpha^9 + a'_0\alpha^{18}, B_{init} + b'_1\alpha^5 +
\end{aligned}$$

$$b'_2\alpha^{10} + b'_3\alpha^{20} + b'_4\alpha^9 + b'_0\alpha^{18}\}$$

- **Clock-cycle 5: from<sup>4</sup>** =  $\{R + (\alpha^3 + \alpha + 1)A_{init}^{16}B_{init}^{16} + (\alpha^4 + \alpha^3 + \alpha^2 + \alpha + 1)A_{init}^{16}B_{init}^8 + (\alpha^4 + \alpha)A_{init}^{16}B_{init}^4 + (\alpha^3 + 1)A_{init}^{16}B_{init}^2 + (\alpha^3 + \alpha + 1)A_{init}^{16}B_{init} + (\alpha^4 + \alpha^3 + \alpha^2 + \alpha + 1)A_{init}^8B_{init}^{16} + (\alpha^3 + 1)A_{init}^8B_{init}^8 + (\alpha^4 + \alpha^2 + \alpha)A_{init}^8B_{init}^4 + (\alpha^2 + \alpha)A_{init}^8B_{init}^2 + (\alpha^3 + \alpha^2 + 1)A_{init}^8B_{init} + (\alpha^4 + \alpha)A_{init}^4B_{init}^{16} + (\alpha^4 + \alpha^2 + \alpha)A_{init}^4B_{init}^8 + (\alpha^4 + \alpha^2 + \alpha)A_{init}^4B_{init}^4 + (\alpha^2 + \alpha)A_{init}^4B_{init} + (\alpha^3 + 1)A_{init}^2B_{init}^{16} + (\alpha^2 + \alpha)A_{init}^2B_{init}^8 + (\alpha^4 + \alpha^2)A_{init}^2B_{init}^2 + (\alpha^3 + \alpha^2 + 1)A_{init}^2B_{init} + (\alpha^3 + \alpha + 1)A_{init}B_{init}^{16} + (\alpha^3 + \alpha^2 + 1)A_{init}B_{init}^8 + (\alpha^2 + \alpha)A_{init}B_{init}^4 + (\alpha^3 + \alpha^2 + 1)A_{init}B_{init}^2 + (\alpha)A_{init}B_{init}, A_{init} + a_1\alpha^5 + a_2\alpha^{10} + a_3\alpha^{20} + a_4\alpha^9 + a_0\alpha^{18}, B_{init} + b_1\alpha^5 + b_2\alpha^{10} + b_3\alpha^{20} + b_4\alpha^9 + b_0\alpha^{18}\},$
- to<sup>5</sup>** =  $\{\mathbf{R}' + \mathbf{A}_{init}\mathbf{B}_{init}, A_{init} + a'_0\alpha^5 + a'_1\alpha^{10} + a'_2\alpha^{20} + a'_3\alpha^9 + a'_4\alpha^{18}, B_{init} + b'_0\alpha^5 + b'_1\alpha^{10} + b'_2\alpha^{20} + b'_3\alpha^9 + b'_4\alpha^{18}\}$

The algorithm returns

$$from^5(R_{final}) = R_{final} + A_{init}B_{init}$$

which is the function of the multiplier:  $R_{final} = A_{init} \cdot B_{init}$

## 6.2.2 Overcome Computational Complexity Using RATO

We implemented Algorithm 8 in SINGULAR, with similar setup and environments as with the experiments in Section 5.6. The result of verifying Agnew's SMPO is shown in Table 6.1. It indicates that our approach based on ATO cannot verify sequential GF multiplier with size larger than 11 bits operands. Similar to our improvements in Section 5.4, RATO [129] can also be applied to accelerate the GB computation here. More specifically, we circumvent the GB computation of Line 5 in Algorithm 8 by turning the Buchberger's algorithm into a single-step of multivariate polynomial division.

**Table 6.1:** Runtime of Gröbner Basis Computation of Agnew's SMPO in Singular using ATO >.

Word Size ( $k$ )	Number of Polynomials ( $d$ )	Computation Time (seconds)
5	65	16
6	90	368
9	189	43602
11	275	TO (> 48 hr)

- First, a set of polynomials is constructed from each logic gate in the circuit, and they generate ideal  $J_{gates}$ . Similarly, ideal  $J_{WB}$  is generated by polynomials representing the word-to-bit correspondences. They are merged as an ideal describing the combinational logic of the circuit:  $J_{ckt} = J_{gates} + J_{WB}$ .
- Second, we impose RATO on ideal  $J_{ckt}$ : all bit-level variables are sorted using a reverse topological order derived from the circuit structure, followed by word-level NS outputs (e.g.,  $R'$  in Figure 6.4), then word-level PS inputs (e.g.  $A, B, R$  in Figure 6.4).
- When computing the Gröbner basis of  $J_{ckt} + J_0$  (adding vanishing polynomials), because of RATO, there exists only one pair of polynomials  $(f_w, f_g)$  such that  $LCM(lm(f_w), lm(f_g)) \neq lm(f_w) \cdot lm(f_g)$ .
- Then we only need to compute the  $Spoly$  for  $(f_w, f_g)$ , and reduce the  $Spoly$  by  $J_{ckt} + J_0$ .

After executing the reduction, the remainder only contains a limited number of variables. It can be further transformed to a canonical polynomial function of the circuit. We illustrate the whole improved procedure by applying RATO on 5-bit RH-SMPO described in Example 6.1 and Figure 3.3.

**Example 6.2.** *From the circuit topological structure in Figure 3.3, the term order under RATO is:*

$$\begin{aligned}
& \{r'_0, r'_1, r'_2, r'_3, r'_4\} > \{r_0, r_1, r_2, r_3, r_4\} \\
& > \{e_0, e_3, e_4\}, \{d_0, d_1, d_2\}, \{c_1, c_2, c_3, c_4\} \\
& > \{a_0, a_1, a_2, a_3, a_4, b_0, b_1, b_2, b_3, b_4\} > R' > R > \{A, B\}
\end{aligned}$$

*The variables in braces are at the same topological level and are arranged in LEX order. We search among all generators of  $J_{ckt}$  from Example 6.1 using RATO, and find a pair of polynomials whose leading monomials are not relatively prime:  $(f_w, f_g)$ ,  $f_w = r'_0 + r_4 + e_0$ ,  $f_g = r'_0\alpha^5 + r'_1\alpha^{10} + r'_2\alpha^{20} + r'_3\alpha^9 + r'_4\alpha^{18} + R'$ . We calculate  $Spoly$  can reduce it by  $J_{ckt} + J_0$ :*

$$\begin{aligned}
& S\text{-poly}(f_w, f_g) \xrightarrow{J_{ckt}+J_0} + \\
& (\alpha^3 + \alpha^2 + \alpha)r_1 + (\alpha^4 + \alpha^3 + \alpha^2)r_2 + (\alpha^2 + \alpha)r_3 + (\alpha)r_4 \\
& + (\alpha^3 + \alpha^2)a_1b_1 + (\alpha^4 + \alpha^3 + \alpha^2 + \alpha)a_1b_2 + (\alpha^2 + \alpha)a_1b_3 \\
& + (\alpha^2 + 1)a_1b_4 + (\alpha^4 + 1)a_1B + (\alpha^4 + \alpha)a_2b_1 + (\alpha^4 + \alpha^3 + \alpha)a_2b_2 \\
& + (\alpha^3 + 1)a_2b_3 + (\alpha^3 + \alpha^2 + 1)a_2b_4 + (\alpha^3 + \alpha^2)a_2B + (\alpha^2 + \alpha)a_3b_1 \\
& + (\alpha^3 + 1)a_3b_2 + (\alpha + 1)a_3b_3 + (\alpha^4 + \alpha^2 + \alpha)a_3b_4 \\
& + (\alpha^4 + \alpha^3 + \alpha)a_3B + (\alpha^3 + 1)a_4b_1 + a_4b_2 + (\alpha^4 + \alpha^2 + \alpha)a_4b_3 \\
& + (\alpha^4 + \alpha^3 + 1)a_4b_4 + (\alpha^2 + \alpha)a_4B + (\alpha^4 + 1)b_1A + (\alpha^3 + \alpha^2)b_2A \\
& + (\alpha^4 + \alpha^3 + \alpha)b_3A + (\alpha^2 + \alpha)b_4A + (\alpha^4 + \alpha^2 + \alpha + 1)R' + R + AB
\end{aligned}$$

The above example indicates that RATO-based abstraction on 5-bit RH-SMPO will result in a remainder containing both bit-level variables and word-level variables. Moreover, the number of variables is still large such that Gröbner basis computation will be inefficient.

Since the remainder from *Spoly* reduction contains some bit-level variables, our objective is to compute a polynomial that contains only word-level variables (such as  $R' + \mathcal{F}(A, B)$ ). One possible solution to this problem is to replace the bit-level variables by equivalent polynomials that only contain word-level variables, e.g.,  $a_i = \mathcal{G}(A), r_j = \mathcal{H}(R)$ . In this section a Gaussian-elimination approach is introduced to compute corresponding  $\mathcal{G}(A), \mathcal{H}(R)$  efficiently.

**Example 6.3. Objective:** In  $\mathbb{F}_{2^5}$  with normal element  $\beta = \alpha^5$ , compute polynomial  $a_i + \mathcal{G}_i(A)$  from  $f_0 = a_0\alpha^5 + a_1\alpha^{10} + a_2\alpha^{20} + a_3\alpha^9 + a_4\alpha^{18} + A = g_0 + A$ .

First, compute  $f_0^2 = a_0\alpha^{10} + a_1\alpha^{20} + a_2\alpha^9 + a_3\alpha^{18} + a_4\alpha^5 + A^2 = g_0^2 + A^2$ ; then  $f_0^4, f_0^8, f_0^{16}$ .

Use Lemma 5.2, by repeating squaring we get a system of equations:

$$\begin{cases} f_0 = 0 \\ f_0^2 = 0 \\ f_0^4 = 0 \\ f_0^8 = 0 \\ f_0^{16} = 0 \end{cases} \iff \begin{cases} g_0 = A \\ g_0^2 = A^2 \\ g_0^4 = A^4 \\ g_0^8 = A^8 \\ g_0^{16} = A^{16} \end{cases}$$

Following is the coefficient matrix form of this system of equations:

$$\begin{pmatrix} \alpha^5 & \alpha^{10} & \alpha^{20} & \alpha^9 & \alpha^{18} \\ \alpha^{10} & \alpha^{20} & \alpha^9 & \alpha^{18} & \alpha^5 \\ \alpha^{20} & \alpha^9 & \alpha^{18} & \alpha^5 & \alpha^{10} \\ \alpha^9 & \alpha^{18} & \alpha^5 & \alpha^{10} & \alpha^{20} \\ \alpha^{18} & \alpha^5 & \alpha^{10} & \alpha^{20} & \alpha^9 \end{pmatrix} \begin{pmatrix} a_0 \\ a_1 \\ a_2 \\ a_3 \\ a_4 \end{pmatrix} = \begin{pmatrix} A \\ A^2 \\ A^4 \\ A^8 \\ A^{16} \end{pmatrix}$$

Then we use Gaussian elimination on coefficients matrix to recursively eliminate  $a_1$  from the third row,  $a_2$  from the fourth row, etc. The final solution to this system of equations is

$$\begin{cases} a_0 = (\alpha + 1)A^{16} + (\alpha^4 + \alpha^3 + \alpha)A^8 + (\alpha^3 + \alpha^2)A^4 \\ \quad + (\alpha^4 + 1)A^2 + (\alpha^2 + 1)A \\ a_1 = (\alpha^2 + 1)A^{16} + (\alpha + 1)A^8 + (\alpha^4 + \alpha^3 + \alpha)A^4 \\ \quad + (\alpha^3 + \alpha^2)A^2 + (\alpha^4 + 1)A \\ a_2 = (\alpha^4 + 1)A^{16} + (\alpha^2 + 1)A^8 + (\alpha + 1)A^4 \\ \quad + (\alpha^4 + \alpha^3 + \alpha)A^2 + (\alpha^3 + \alpha^2)A \\ a_3 = (\alpha^3 + \alpha^2)A^{16} + (\alpha^4 + 1)A^8 + (\alpha^2 + 1)A^4 \\ \quad + (\alpha + 1)A^2 + (\alpha^4 + \alpha^3 + \alpha)A \\ a_4 = (\alpha^4 + \alpha^3 + \alpha)A^{16} + (\alpha^3 + \alpha^2)A^8 + (\alpha^4 + 1)A^4 \\ \quad + (\alpha^2 + 1)A^2 + (\alpha + 1)A \end{cases}$$

Similarly we can compute equivalent polynomials  $\mathcal{H}_i(R)$  for  $r_i$  and  $\mathcal{T}_j(B)$  for  $b_j$ , respectively. Using those polynomial equations, it is sufficient to translate all bit-level inputs in the remainder polynomial because of following proposition:

**Proposition 6.1.** *Due to RATO, remainder of Spoly reduction will only contain primary inputs (bit-level) and word-level output; furthermore, there will be one and only one term containing word-level output with degree equal to 1.*

**Proof.** The first proposition is easy to prove by contradiction: Assume there exists an intermediate bit-level variable  $v$  in the remainder, then this remainder must be divided further by a polynomial with leading term  $v$ . Since the remainder cannot be divided by any other polynomials in  $J_{ckt}$ , the assumption does not hold.

Second part, the candidate pair of polynomials only have one term of single word-level output variable (say it is  $R$ ) and this term is the last term under RATO, which means there is only one term with  $R$  in  $Spoly$ . Meanwhile in other polynomials from  $J_{ckt} + J_0$  there is no such term containing  $R$ , so this term will appear in remainder  $r$ , with exponent equal to 1. ■

By replacing all bit-level variables with corresponding word-level variable polynomials, we transform the remainder of  $Spoly$  reduction to the form of  $R' + R + \mathcal{F}'(A, B)$ . Note  $R$  is the present state notion of output, which equals to initial value  $R = 0$  in first clock cycle, or value of  $R'$

from the last clock cycle. By substituting  $R$  with its corresponding value (0 or a polynomial only about  $A$  and  $B$ ), we get the desired polynomial function  $R' + \mathcal{F}(A, B)$ .

### 6.2.3 Solving a Linear System for Bit-to-Word Substitution

In Example 6.3 we show a Gaussian-elimination method to solve the system of polynomial equations. We describe another formal method to solve the following system of equations

$$\begin{bmatrix} S \\ S^2 \\ S^{2^2} \\ \vdots \\ S^{2^{k-1}} \end{bmatrix} = \begin{bmatrix} \beta & \beta^2 & \beta^{2^2} & \cdots & \beta^{2^{k-1}} \\ \beta^2 & \beta^{2^2} & \beta^{2^3} & \cdots & \beta \\ \beta^{2^2} & \beta^{2^3} & \beta^{2^4} & \cdots & \beta^2 \\ \vdots & \vdots & \vdots & \ddots & \vdots \\ \beta^{2^{k-1}} & \beta & \beta^2 & \cdots & \beta^{2^{k-2}} \end{bmatrix} \begin{bmatrix} s_0 \\ s_1 \\ s_2 \\ \vdots \\ s_{k-1} \end{bmatrix} \quad (6.1)$$

Let  $\mathbf{s}$  be a vector of  $k$  unknowns  $s_0, \dots, s_{k-1}$ , then Equation 6.1 can be solved by using Cramer's rule:

$$s_i = \frac{|\mathbf{M}_i|}{|\mathbf{M}|}, \quad 0 \leq i \leq k-1, |\mathbf{M}| \neq 0 \quad (6.2)$$

where  $\mathbf{M}_i$  denotes a coefficient matrix replacing  $i$ -th column in  $\mathbf{M}$  with vector  $\mathbf{S} = [S \ S^2 \ \dots \ S^{2^{k-1}}]^T$ .

Notice that  $\mathbf{M}$  is constructed by squaring a row and assigning it to the next row, therefore its determinant exhibits certain special properties:

**Definition 6.1.** Let  $\{\alpha_0, \alpha_1, \dots, \alpha_{k-1}\}$  be a set of  $k$  elements of  $\mathbb{F}_{p^k}$ . Then the determinant

$$\det M(\alpha_0, \dots, \alpha_{k-1}) = \begin{vmatrix} \alpha_0 & \alpha_1 & \cdots & \alpha_{k-1} \\ \alpha_0^p & \alpha_1^p & \cdots & \alpha_{k-1}^p \\ \vdots & \vdots & \ddots & \vdots \\ \alpha_0^{p^{k-1}} & \alpha_1^{p^{k-1}} & \cdots & \alpha_{k-1}^{p^{k-1}} \end{vmatrix} \quad (6.3)$$

is called the **Moore determinant** of set  $\{\alpha_0, \dots, \alpha_{k-1}\}$ .

The Moore determinant can be written as an explicit expression

$$\det M(\alpha_0, \dots, \alpha_{k-1}) = \alpha_0 \prod_{i=1}^{k-1} \left( \prod_{c_0, \dots, c_{i-1} \in \mathbb{F}_p} (\alpha_i - \sum_{j=0}^{i-1} c_j \alpha_j) \right) \quad (6.4)$$

We use an example to help understand the notations in Equation 6.4:



**Example 6.4.** Let  $\{\alpha_0, \alpha_1, \alpha_2\}$  be a set of elements of  $\mathbb{F}_{2^3}$ . Then

$$\begin{aligned} \det M(\alpha_0, \alpha_1, \alpha_2) &= \begin{vmatrix} \alpha_0 & \alpha_1 & \alpha_2 \\ \alpha_0^2 & \alpha_1^2 & \alpha_2^2 \\ \alpha_0^4 & \alpha_1^4 & \alpha_2^4 \end{vmatrix} \\ &= \alpha_0 \prod_{i=1}^2 \prod_{c_0, \dots, c_{i-1} \in \mathbb{F}_2} (\alpha_i - \sum_{j=0}^{i-1} c_j \alpha_j) \end{aligned} \quad (6.5)$$

First, let  $i = 1$ , we obtain  $c_0 \in \mathbb{F}_2$ . When  $c_0 = 0$ , the product term equals  $\alpha_1$ ; when  $c_0 = 1$  it equals  $(\alpha_1 - \alpha_0)$ . Then let  $i = 2$ , we obtain  $c_0, c_1 \in \mathbb{F}_2$ , they can take value from  $\{0, 0\}$ ,  $\{0, 1\}$ ,  $\{1, 0\}$  and  $\{1, 1\}$ . We add 4 more product terms  $\alpha_2, (\alpha_2 - \alpha_1), (\alpha_2 - \alpha_0), (\alpha_2 - \alpha_0 - \alpha_1)$ , respectively.

Thus, the result is

$$\det M(\alpha_0, \alpha_1, \alpha_2) = \alpha_0 \alpha_1 (\alpha_1 - \alpha_0) \alpha_2 (\alpha_2 - \alpha_1) (\alpha_2 - \alpha_0) (\alpha_2 - \alpha_0 - \alpha_1) \quad (6.6)$$

We discover through investigation that  $|\mathbf{M}|$  has a special property when the set of elements forms a basis. The proof is given below:

**Lemma 6.1.** Let  $\{\alpha_0, \alpha_1, \dots, \alpha_{k-1}\}$  be a normal basis of  $\mathbb{F}_{p^k}$  over  $\mathbb{F}_p$ . Then

$$\det M(\alpha_0, \alpha_1, \dots, \alpha_{k-1}) = 1 \quad (6.7)$$

**Proof.** According to Equation 6.4, the Moore determinant consists of all possible linear combinations of  $\{\alpha_0, \alpha_1, \dots, \alpha_{k-1}\}$  with coefficients over  $\mathbb{F}_p$ . If  $\{\alpha_0, \alpha_1, \dots, \alpha_{k-1}\}$  is a (normal) basis, then all product terms are distinct and represents all elements in the field  $\mathbb{F}_{p^k}$ . Since the product of all elements of a field equals 1, the Moore determinant  $|\mathbf{M}| = 1$ . ■

Applying Lemma 6.1 to Equation 6.2 gives

$$s_i = |\mathbf{M}_i|, \quad 0 \leq i \leq k-1 \quad (6.8)$$

where  $|\mathbf{M}_i|$  can be computed using Laplace expansion method, with complexity  $O(k!)$ .

### 6.2.4 The Overall Verification Approach

Based on the above concepts and improvements, the functional verification for sequential GF multiplier on word level with  $k$ -bit input operands  $A, B$  and  $k$ -bit output  $R$  is described as follows:

- 1) Given a sequential GF multiplier  $S$ , with word-level  $k$ -bit inputs  $A, B$  and output  $R$ .
- 2) Given a primitive polynomial  $P(x)$  of degree  $k$  and construct  $\mathbb{F}_{2^k}$ , and let  $P(\alpha) = 0$ .

- 3) Perform a reverse-topological traversal of  $S$  to derive RATO: LEX with  $\{x_1 > x_2 > \dots > x_d > R' > R > A > B\}$ , where  $\{x_1, \dots, x_d\}$  are bit-level variables of  $S$ ,  $R'$  is the NS output value, and  $R, A, B$  are word-level PS variables.
- 4) Derive the set of bit-level polynomials  $\{f_1, \dots, f_s\}$  from each gate in  $S$ , and represent them using RATO. These polynomials are in the form  $x_i + \text{tail}(f_i)$  where  $x_i$  is the output of the corresponding logic gate.
- 5) Compose the bit-level to word-level correspondences polynomials such as  $r_0\beta + r_1\beta^2 + \dots + r_{k-1}\beta^{2^{k-1}} + R$ . Add them to set  $\{f_1, \dots, f_s\}$  and generate ideal  $J_{ckt}$ . Compose the ideal of vanishing polynomials  $J_0 = \langle x_i^2 + x_i, \dots, R^{2^k} + R, \dots \rangle$ .
- 6) Select the only critical pair  $(f_w, f_g)$  that does not have relatively prime leading terms. Compute  $\text{Spoly}(f_w, f_g) \xrightarrow{J_{ckt} + J_0} r$ .
- 7) Construct matrices  $M_0, \dots, M_{k-1}$ , where  $M_i$  is  $M$  with the  $i$ -column replaced by circulant vector  $[R \ R^2 \ \dots \ R^{2^{k-1}}]^T$ , and  $M$  is the reverse-circulant matrix generated by circulant vector  $(\beta, \beta^2, \dots, \beta^{2^{k-1}})$ .
- 8) Symbolically compute the determinants  $|M_i|$  to find set  $F_R$ , where  $f_{R_i} : R_i + |M_i|$ , for  $0 \leq i \leq k - 1$ . Obtain  $F_A, F_B$  from  $F_R$  since they have the same form.
- 9) Compute  $r \xrightarrow{F_A \cup F_B \cup F_R} r_w$ , and iterate  $r_w$  as  $to^i$  in Algorithm 8. **Then  $r_w$  after iteration  $k$  is of the form  $R' + \mathcal{F}(A, B)$  and it is the unique, canonical word-level abstraction of  $S$  over  $\mathbb{F}_{2^k}$  after  $k$  clock-cycles.**

### 6.3 Software Implementation of Implicit Unrolling Approach

Our experiment on different sizes of SMPO designs is performed with both SINGULAR [124] symbolic algebra computation system and our customized toolset developed using C++. The SMPO designs are given as gate-level netlists with registers, then translated to polynomials to compose elimination ideals for Gröbner basis calculation. The experiment is conducted on a desktop with 3.5GHz Intel Core™ i7 Quad-core CPU, 16 GB RAM and running 64-bit Linux OS.

The SINGULAR tool can read scripts written in its own format similar to ANSI-C. The input file format for our C++ tool is also designed to be compatible with SINGULAR ring and polynomial definitions. For SMPO experiments, the main loop of our script file performs the same function

as Algorithm 8 describes, while the Gröbner basis computation in the main loop is divided into 4 different functional parts:

1) Preprocessing:

This step is executed only once before the main loop starts. The function of preprocessing is to compute the following system of equations for bit-level inputs  $a_0 \dots a_{k-1}$ :

$$\begin{cases} a_0 & = f_0(A) \\ a_1 & = f_1(A) \\ \vdots & \\ a_{k-1} & = f_{k-1}(A) \end{cases}$$

The methodology has been discussed in this chapter. For 5-bit SMPO example, we start from bit-to-word correspondence polynomial

$$A + a_0\alpha^5 + a_1\alpha^{10} + a_2\alpha^{20} + a_3\alpha^9 + a_4\alpha^{18}$$

and the result is

$$\begin{cases} a_0 & = (\alpha + 1)A^{16} + (\alpha^4 + \alpha^3 + \alpha)A^8 + (\alpha^3 + \alpha^2)A^4 \\ & \quad + (\alpha^4 + 1)A^2 + (\alpha^2 + 1)A \\ a_1 & = (\alpha^2 + 1)A^{16} + (\alpha + 1)A^8 + (\alpha^4 + \alpha^3 + \alpha)A^4 \\ & \quad + (\alpha^3 + \alpha^2)A^2 + (\alpha^4 + 1)A \\ a_2 & = (\alpha^4 + 1)A^{16} + (\alpha^2 + 1)A^8 + (\alpha + 1)A^4 \\ & \quad + (\alpha^4 + \alpha^3 + \alpha)A^2 + (\alpha^3 + \alpha^2)A \\ a_3 & = (\alpha^3 + \alpha^2)A^{16} + (\alpha^4 + 1)A^8 + (\alpha^2 + 1)A^4 \\ & \quad + (\alpha + 1)A^2 + (\alpha^4 + \alpha^3 + \alpha)A \\ a_4 & = (\alpha^4 + \alpha^3 + \alpha)A^{16} + (\alpha^3 + \alpha^2)A^8 + (\alpha^4 + 1)A^4 \\ & \quad + (\alpha^2 + 1)A^2 + (\alpha + 1)A \end{cases}$$

By replacing bit-level variable  $a_i$  with  $b_i, r_i$  or  $r'_i$ , and word-level variable  $A$  with  $B, R, R'$  respectively, we can directly get bit-to-word relation functions for another operand input, pseudo input and pseudo output.

One limitation of the SINGULAR tool is the degree of a term cannot exceed  $2^{63}$ , so when conducting experiments for SMPO circuits larger than 62 bits, we rewrite the degree using smaller integers (the feasibility of this rewriting can also be verified in the following steps). Our C++ tool does not have a data size limit, but it accumulates exponents when computing the power of a variable. Thus if the exponent is as large as  $2^{63}$ , its runtime is very long. As a result, our C++ tool also adopts and benefits from this rewriting technique. Since the bit-to-word substitution procedure only requires squaring of equations each time, the exponent of word  $A$  can only be in the form  $2^{i-1}$ , i.e.,  $A^{2^0}, A^{2^1}, \dots, A^{2^{k-1}}$ . To minimize the exponents presenting in both SINGULAR and our tool,

we rewrite exponent  $2^{i-1}$  to exponent  $i$ , i.e.,  $(A^{2^0}, A^{2^1}, \dots, A^{2^{k-1}}) \rightarrow (A, A^2, \dots, A^k)$ . In this way result is rewritten to be

$$a_0 = (\alpha + 1)A^5 + (\alpha^4 + \alpha^3 + \alpha)A^4 + (\alpha^3 + \alpha^2)A^3 + (\alpha^4 + 1)A^2 + (\alpha^2 + 1)A$$

Thus the exponents do not exceed the SINGULAR data size limit.

This step requires limited substitution operations, so although we use the naive Gaussian elimination method (whose time complexity is  $O(k^3)$ ), the time cost is trivial comparing to the following steps.

2) *Spoly* reduction:

First, *Spoly* is calculated based on RATO, then reduced with the ideal composed by the circuit description polynomials ( $J_{ckt}$ ).

For SMPO experiments, reduced *Spoly* has the following generic form (all coefficients are omitted):

$$redSpoly = R' + \mathcal{F}(a_i, b_j, r_l, A, B, R) = \sum r_i + \sum a_i b_i + \sum a_i B + \sum b_i A + R' + R \quad (6.9)$$

From observation, there is no cross-product terms of bit-by-bit or bit-by-word variables from the same input/output such as  $a_i a_j, a_i A$ , etc. For our exponent rewriting approach to give a faithful result, it has to satisfy an important condition: there exist no cross-product terms simultaneously containing elements within the same set, i.e., sets  $\{A, a_i\}$ ,  $\{B, b_j\}$  and  $\{R, r_i\}$ . We now show that *redSpoly* actually satisfies this condition. This property of *redSpoly* guarantees the word-level variable can only exist in the form  $A^{2^{i-1}}$ , after substituting a bit-level variable with a corresponding word-level variable.

3) Substitute bit-level variables in reduced *Spoly*, i.e.,

$$\mathcal{F}(a_i, b_j, r_l, A, B, R) \xrightarrow{a_i + \mathcal{G}_i(A), b_j + \mathcal{G}_j(B), r_l + \mathcal{G}_l(R)} \mathcal{H}(A, B, R)$$

Use the result from preprocessing, get rid of  $r_i, a_i$  and  $b_i$  through substitution. This step yields the following polynomial:

$$R' + \mathcal{H}(A, B, R) = R' + \sum R^i + \sum A^i B^j \quad (6.10)$$

all coefficients omitted.

4) Substitute PS word-level variable  $R$  with inputs  $A$  and  $B$ , i.e.,

$$\mathcal{F}(A, B, R) \xrightarrow{R + \mathcal{F}'(A, B)} \mathcal{F}(A, B)$$

In Equation 6.10, there are still terms containing  $R$  in the ideal for which we want to compute Gröbner basis. For PS variable  $R$  we can use relation  $R + \mathcal{F}'(A, B)$ , which is the last clock-cycle's output ( $R' + \mathcal{F}'(A, B)$ ) with only the leading term replaced in step “ $from^i \leftarrow to^i$ ” in Algorithm 8. This step needs to be specially executed because of the exponent rewriting technique. If  $R + \mathcal{F}'(A, B)$  contains terms  $A^i B^j$ , it should be transformed back to the original exponent first, then compute the exponential of the entire term. Because of following equation

$$(A^{2^{i-1}} B^{2^{j-1}})^{2^{m-1}} = A^{2^{((i+m-2) \bmod k)+1}} B^{2^{((j+m-2) \bmod k)+1}}$$

the correct exponent for  $A$  and  $B$  in  $(A^i B^j)^m$  should be  $((i + m - 2) \bmod k) + 1$  and  $((j + m - 2) \bmod k) + 1$ , respectively.

Within one iteration, after finishing steps 2) to 4), the output should correspond to the intermediate multiplication result (temporary product)  $R' + \mathcal{F}(A, B)$ . After  $k$  iterations, the output is  $R + A \cdot B$  when SMPO circuit is bug-free.

## 6.4 Experiment Results

We have implemented our approach within the SINGULAR symbolic algebra computation system [v. 3-1-6] [124] as well as C++/GCC. Using our implementation, we have performed experiments to verify two SMPO architectures — Agnew-SMPO [110] and the RH-SMPO [111] — over  $\mathbb{F}_{2^k}$ , for various datapath/field sizes. Bugs are also introduced into the SMPO designs by modifying a few gates in the combinational logic block. Experiments using SAT-, BDD-, and AIG-based solvers are also conducted and results are compared against our approach. Our experiments run on a desktop with 3.5GHz Intel Core™ i7 Quad-core CPU, 16 GB RAM and 64-bit Linux.

*Evaluation of SAT/ABC/BDD-based methods:* To verify circuit  $S$  against the polynomial  $\mathcal{F}$ , we unroll the SMPO over  $k$  time-frames, and construct a miter against a combinational implementation of  $\mathcal{F}$ . A (preverified)  $\mathbb{F}_{2^k}$  Mastrovito multiplier [101] is used as the *spec* model. This miter is checked for SAT using the *Lingeling* [130] solver. We also experiment with the Combinational Equivalence Checking (CEC) engine of the ABC tool [131], which uses AIG-based reductions to identify internal AIG equivalences within the miter to efficiently solve verification. The BDD-based VIS tool [128] is also used for equivalence check. The run-times for verification of (unrolled)

RH-SMPO against Mastrovito *spec* are given in Table 6.2 – which shows that the techniques fail beyond 23-bit fields.

CEC between unrolled RH-SMPO and Agnew-SMPO also suffers the same fate (results omitted). In fact, both SMPO designs are based on slightly different mathematical concepts and their computations in all clock-cycles, except for the  $k^{th}$  one, are also different. These designs have no internal logical/structural equivalences, and verification with SAT/BDDs/ABC is infeasible. Their dissimilarity is depicted in Table 6.3, where  $N_1$  depicts the number of AIG nodes in the miter prior to *fraig\_sweep*, and the nodes after *fraiging* are recorded as  $N_2$ ; so  $\frac{N_1-N_2}{N_1}$  reflects the proportion of equivalent nodes in original miter, which emphasizes the (lack of) *similarity* between two designs.

*Evaluation of Our Approach:* Our algorithm inputs the circuit given in BLIF format, derives RATO, and constructs the polynomial ideal from the logic gates and the register/data-word description. We perform one *Spoly* reduction, followed by the bit-level to word-level substitution, in each clock cycle. After  $k$  iterations, the final result polynomial  $R$  is compared against the spec polynomial. The run-times for verifying bug-free and buggy RH-SMPO and Agnew-SMPO are shown in Tables 6.4 and 6.5 (using SINGULAR) and Table 6.6 (using C++ implementation), respectively. We can verify, as well as catch bugs in, up to 100-bit (using SINGULAR) and 162-bit (using C++ implementation) multipliers.

Beyond 162-bit fields, our approach is infeasible – mostly due to the fact that the intermediate abstraction polynomial  $R$  is very dense and contains high-degree terms, which can be infeasible to

**Table 6.2:** Run-time for verification of bug-free RH-SMPO circuits for SAT, ABC and BDD based methods. *TO* = timeout 14 hrs

	Word size of the operands $k$ -bits			
Solver	11	18	23	33
Lingeling	593	<i>TO</i>	<i>TO</i>	<i>TO</i>
ABC	6.24	<i>TO</i>	<i>TO</i>	<i>TO</i>
BDD	0.1	11.7	1002.4	<i>TO</i>

**Table 6.3:** Similarity between RH-SMPO and Agnew’s SMPO

Size $k$	11	18	23	33
$N_1$	734	2011	3285	6723
$N_2$	529	1450	2347	4852
Similarity	27.9%	27.9%	28.6%	27.8%

**Table 6.4:** Run-time (seconds) for verification of bug-free and buggy RH-SMPO with SINGULAR

Operand size $k$	33	51	65	81	89	99
#variables	4785	11424	18265	28512	34354	42372
#polynomials	3630	8721	13910	21789	26255	32373
#terms	13629	32793	52845	82539	99591	122958
Runtime(bug-free)	112.6	1129	5243	20724	36096	67021
Runtime(buggy)	112.7	1129	5256	20684	36120	66929

**Table 6.5:** Run-time (seconds) for verification of bug-free and buggy Agnew’s SMPO with SINGULAR

Operand size $k$	36	66	82	89	100
#variables	6588	21978	33866	39872	50300
#polynomials	2700	8910	13694	16109	20300
#terms	12996	43626	67322	79299	100100
Runtime(bug-free)	113	3673	15117	28986	50692
Runtime(buggy)	118	4320	15226	31571	58861

**Table 6.6:** Run-time (seconds) for verification of RH-SMPO and Agnew’s SMPO using C++ implementation

Operand size $k$		36	60	81	100	131	162
RH-SMPO	#Polynomials	4716	12960	21870	35600	56592	92826
	Runtime	14.3	213.3	1343	4685	26314	124194
Agnew’s SMPO	#Polynomials	2700	7380	13356	20300	34715	52974
	Runtime	10.2	212.0	2684	4686	56568	119441

compute. However, it should be noted that if we do not use the proposed bit-level to word-level substitution, and compute reduced Gröbner bases with RATO, then our approach does not scale beyond 11-bit datapaths (Table 6.1).

## 6.5 Concluding Remarks

This chapter has described a method to verify sequential Galois field multipliers over  $\mathbb{F}_{2^k}$  using an approach based on computer algebra and algebraic geometry. As sequential Galois field circuits perform the computations over  $k$  clock-cycles, verification requires an efficient approach to unroll the computation and represent it as a canonical word-level multivariate polynomial. Using algebraic geometry, we show that the unrolling of the computation at word level can be performed by Gröbner bases and elimination term orders. Subsequently, we show that the complex Gröbner basis computation can be eliminated by means of a bit-level to word-level substitution, which

is implemented using the binomial expansion over Galois fields and Gaussian elimination. Our approach is able to verify up to 162-bit sequential circuits, whereas contemporary techniques (e.g., BDDs) fail beyond 23-bit datapaths.



# CHAPTER 7

## FINDING UNSATISFIABLE CORES OF A SET OF POLYNOMIALS USING THE GRÖBNER BASIS ALGORITHM

In previous chapters, we have introduced the concept of word-level abstraction and reachability analysis of the state-space of sequential circuits for equivalence checking. Modern property verification techniques employ state-space abstraction using interpolants and UNSAT cores. In this chapter, we explore algebraic geometry analogs of UNSAT cores which can be applied at both bit and word-level, actually over any field.

The Boolean satisfiability (SAT) problem is the basis of most decidable decision problems, as well as the basis of many formal verification techniques. In this chapter, we discuss a special topic branching out from SAT theory. It is about a situation when SAT problems give negative answer, which are called unsatisfiability (UNSAT) problems. Within a set of constraints (e.g., clauses, formulas, or polynomials) which is unsatisfiable, sometimes it is worthwhile to explore the reasons for UNSAT. From the execution of the GB algorithm, an auxiliary structure can be obtained to help explore the reasons causing UNSAT. This chapter introduces the details about the motivation, mechanism, and implementation.

### 7.1 Motivation

In this section, we introduce the motivation of our UNSAT core extraction research. We start by defining an UNSAT problem, then review the previous work and applications to abstraction refinement. We then present the need for finding a word-level analog to contemporary UNSAT reasoning techniques.

#### 7.1.1 Preliminaries of SAT/UNSAT Theory

The Boolean satisfiability (SAT) problem is a fundamental problem in computer science. In the following part we define the terminology related to a SAT problem [132].

**Definition 7.1.** A **literal**  $l$  is defined as a variable  $v$ , or its negation  $\bar{v}$ . A disjunction (OR relation) of literals forms a **clause**, i.e.,  $c = l_1 \vee l_2 \vee \dots \vee l_k$ . A Boolean formula can always be written as **conjunctive normal form (CNF)**, which is the conjunction (AND relation) of clauses:  $F = c_1 \wedge c_2 \wedge \dots \wedge c_k$ .

Using above concepts, the SAT/UNSAT problem can also be formally defined:

**Definition 7.2.** A **satisfiability (SAT) problem** is a decision problem that takes a CNF formula and returns that the formula is SAT, whenever there is an assignment of variables that makes the formula evaluate to true. Otherwise, the formula is unsatisfiable (UNSAT).

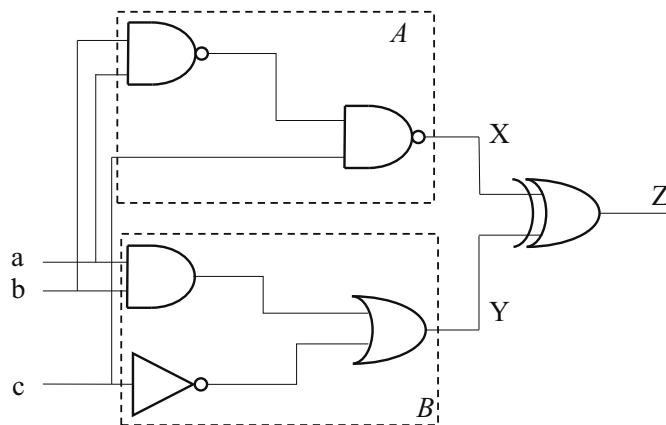
Figure 7.1 shows a simple example of a SAT problem on circuit verification: we need to verify whether subcircuit  $A$  and subcircuit  $B$  have the same function, so we build a miter circuit for their outputs  $X$  and  $Y$ , and the equivalence checking problem is turned into a SAT problem as follows:

*Is subcircuit A functionally equivalent to subcircuit B?*

$\iff$  *Is it true that no Boolean vector assignment to PIs  $a, b, c$  exists such that  $Z=1$ ?*

For an UNSAT problem, the cause of UNSAT may include a subset of clauses.

**Definition 7.3.** Assume a CNF formula  $F$  is UNSAT. A subformula  $M \subseteq F$  is an **UNSAT core** if  $M$  is also UNSAT. Further, if  $\forall c \in M, M \setminus \{c\}$  is SAT, then  $M$  is called a **minimal UNSAT core** of  $F$ .



**Figure 7.1:** An example of Boolean satisfiability problem on circuits.

### 7.1.2 Previous Work on CNF-UNSAT

In most cases, SAT problems are modeled as conjunctive normal form (CNF) formulas, and solved by procedures based on the Davis-Putnam and Davis-Logemann-Loveland (DPLL) algorithm. The main idea of the DPLL algorithm is recursive branching and backtrack searching. To improve the efficiency of a DPLL-based SAT solver, efforts are made to minimize the number of branches, accelerating unit propagation and modifying backtrack algorithm. Recently, state-of-art SAT solvers developed a conflict-driven clause learning (CDCL) technique to prune the search space, which is effective at reducing search time.

When a SAT solver fails to give a SAT assignment, it will provide an *UNSAT proof* or *refutation proof* to prove the problem is UNSAT. By analyzing clauses involved in the UNSAT proof, we can generate a subformula which remains UNSAT. A naive method is to collect all leaf clauses in an UNSAT proof as an UNSAT core. In practice, a minimal UNSAT core is more valuable. There are mainly two kinds of methods to find minimal UNSAT cores. One is the insertion-based method, which is achieved by adding clauses to the smallest subset until the subset turns to be UNSAT. The other method is the deletion-based method, which is realized by deleting clauses from a larger subset until the subset turns to be SAT. Recently heuristics such as clause-set refinement [133] and model rotation [134] have been applied as improvements on the deletion/insertion-based methods. These methods are also expanded to satisfiability modulo theories (SMT) [135].

On the other hand, researchers are seeking an alternative solution for SAT problem using a totally different method from “old-fashioned” DPLL algorithm. One promising option is polynomial calculus (PC), mapping Boolean variables and connectors in CNF formulas to variables and operators in Galois fields as examples in Table 7.1. In this way clauses are transformed to monomials/polynomials, thus theorems and concepts in computer algebra such as Hilbert’s Nullstellensatz and Gröbner basis can be employed to assist finding valid assignments or proofs of unsatisfiability. Basic concepts about PC will be formally introduced with definitions from computer algebra.

**Table 7.1:** Mapping Boolean operators to functions over  $\mathbb{F}_{2^k}$

Boolean operator	Function over $\mathbb{F}_{2^k}$
$a \wedge b$	$a \cdot b$
$a \oplus b$	$a + b$
$\bar{a}$	$1 + a$
$a \vee b$	$a + b + a \cdot b$

The inspiration to use PC to solve SAT problems first came from [136]. Using PC and its variations, researchers developed many SAT solvers [95, 137, 138]. Besides, researchers borrow concepts from PC and combine them with traditional DPLL and clause learning techniques to build hybrid SAT solvers [139, 140].

### 7.1.3 Exploiting UNSAT Cores for Abstraction Refinement

The problem of finding small UNSAT cores has attracted interest for decades because of its applications to various verification and synthesis problems. In solving MaxSAT problems, a small UNSAT proof provides a lower bound for the branch-and-bound searching algorithm [141]. It is applied to solving logic synthesis problems, such as Boolean function decomposition [142]. Small explanation generation in general constraint programming problems also relies on small UNSAT cores [143].

UNSAT cores can find a wide range of applications in circuit verification as well. Many abstraction refinement techniques require information mining from UNSAT proofs of intermediate abstractions. Here we use an abstraction refinement algorithm from [72] to explain how an UNSAT proof is utilized in such techniques.

Bounded model checking (BMC) is a model checking technique which set an upper bound to the length of all paths. It can be solved by solving a SAT problem. Given a model  $M$ , property  $p$ , and bound  $k$ , the  $k$ -BMC unrolls  $M$  by  $k$  clock-cycles and generates Boolean formula  $F$  including violation check of  $p$ . Then  $F$  is fed to a SAT solver, if the SAT solver returns SAT, then  $p$  is violated in some paths shorter than  $k$ . Otherwise, UNSAT indicates  $p$  is not violated in all paths shorter than  $k$ . Algorithm 9 makes an improvement on BMC using abstraction refinement.

Assume that we are given a sequential circuit with  $n$  latches as shown in Figure 7.2(a). This circuit can be modeled as a Mealy machine  $M$  and the states  $s$  can be explicitly encoded by bit-level latch variables  $l_1, \dots, l_n$ . Algorithm 9 describes an approach to check if machine  $M$  violates property  $p$ . This algorithm relies on  $k$ -BMC technique, which works on the basis of CNF-SAT solving. The  $k$ -BMC represents the initial states  $I$ , the transition relation  $T$  and property  $p$  as CNF formulas.

The first “if-else” branch in Algorithm 9 can be explained as: we check if the conjunction of formulas

$$I(s_0) \wedge \bigwedge_{i=0}^{k-1} T(s_i, s_{i+1}) \wedge \neg p$$

**Algorithm 9:** Abstraction refinement using  $k$ -BMC

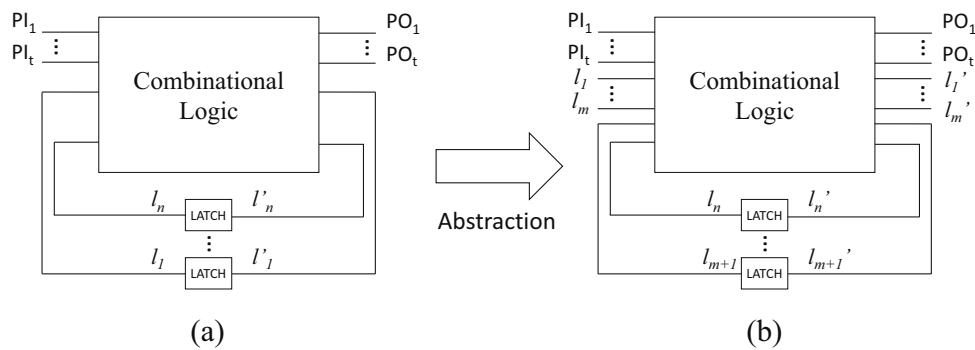
---

**Input:**  $M$  – original machine,  $p$  – property to check,  $k$  – # of steps in  $k$ -BMC  
**Output:** If  $p$  is violated, return error trace; otherwise  $p$  is valid on  $M$

- 1  $k = \text{InitValue}$ ;
- 2 **if**  $k\text{-BMC}(M, p, k)$  **is SAT** **then**
- 3     **return** “Found error trace”
- 4 **else**
- 5     Extract UNSAT proof  $\mathcal{P}$  of  $k$ -BMC;
- 6      $M' = \text{ABSTRACT}(M, \mathcal{P})$ ;
- 7 **end**
- 8 **if**  $\text{MODEL-CHECK}(M', p)$  **returns PASS** **then**
- 9     **return** “Passing property”
- 10 **else**
- 11     Increase bound  $k$ ;
- 12     goto Line 2;
- 13 **end**

---

is SAT or not, where  $s_i$  denotes the set of reached states in  $i$ -th time-frame. If the result is SAT, then a counterexample is found that violates property  $p$ . If the result is UNSAT, we cannot assert that  $p$  is satisfied for the original machine  $M$  because we only unrolled  $M$  for a given specific number of time-frames without any fix-point detection. In this algorithm, we analyze the UNSAT core composed by a set of clauses whose conjunction is UNSAT. If there are some latch variables ( $L_{abs}$ ) not included in this UNSAT core, then we can assert that the evaluations of these variables will not affect the unsatisfiability of the original formula. Therefore, we can ignore them in the abstracted model. In practice, we turn these latches into primary inputs/outputs as shown in Figure 7.2(b) ( $L_{abs} = \{l_1, \dots, l_m\}$ ).



**Figure 7.2:** Abstraction by reducing latches.

The second “if-else” branch means: if we model check the abstracted machine  $M'$  and find no error trace, we can assert that property  $p$  also holds on the original machine  $M$ . The reason for this assertion is that the abstracted states represented using abstracted latches cover the original states, which means  $M'$  is an **overapproximation** of  $M$ , such that

$$(M' \implies p) \implies (M \implies p)$$

If we find a violation on an abstracted machine, then this abstracted model is not a suitable model to check  $p$ , so we have to increase the bound  $k$  to find a finer abstraction.

It is clear that UNSAT cores play an important role in abstraction refinement approaches. In [72] the UNSAT core is extracted using a conventional CNF-SAT solver, which encounters the “bit-blasting” problem when the size of the datapath (number of latches in Figure 7.2) is very large. Here we propose an altogether new method based on Gröbner basis computation to extract UNSAT cores, and we believe it may become an efficient method according to the following observation:

*While the complexity of computing a GB over finite fields is exponential in the number of variables, the GB computation is observed to be more efficient for UNSAT problems.* The reason is as follows:

**Theorem 7.1** (Weak Nullstellensatz). *Given ideal  $J \subseteq \mathbb{F}[x_1, \dots, x_n]$ , its variety over algebraic closure  $\overline{\mathbb{F}}$  of field  $\mathbb{F}$  is empty if and only if its reduced Gröbner basis contains only one generator “1.”*

$$\mathbf{V}_{\overline{\mathbb{F}}}(J) = \emptyset \iff \text{reduced GB}(J) = \{1\}$$

It is well known that using Buchberger’s algorithm and its variations to compute a GB has a very high space and time complexity and is usually not practical. One reason is that the size of the GB may explode even if the term ordering is carefully chosen. However if the reduced GB is  $\{1\}$ , which means every term in the original polynomials will be canceled, the degree of remainders when computing GB with Buchberger’s algorithm will be limited. Thus the number of polynomials in nonreduced GB is much smaller than usual. Instead of applying polynomial calculus to SAT solving, it may be more efficient to try it for UNSAT problems.

Moreover, conventional techniques are limited to bit-level variables (literals). Algebraic geometry methods allow the use of word-level variables, which provides a strong potential for all applications which can be modeled as polynomials in finite-field extensions.

## 7.2 UNSAT Cores of Polynomial Ideals

In this section we provide a solution to the problem of how to use GB to extract the UNSAT core.

**Problem statement:** Let  $F = \{f_1, \dots, f_s\}$  be a set of multivariate polynomials in the ring  $R = \mathbb{F}[x_1, \dots, x_d]$  that generate ideal  $J = \langle f_1, \dots, f_s \rangle \subset R$ . Suppose that it is known that  $V(J) = \emptyset$ , or it is determined to be so by applying the Gröbner basis algorithm. Identify a subset of polynomials  $F_c \subseteq F$ ,  $J_c = \langle F_c \rangle$ , such that  $V(J_c) = \emptyset$  too. Borrowing the terminology from the Boolean SAT domain, we call  $F_c$  the infeasible core or the UNSAT core of  $F$ .

It is not hard to figure out that an UNSAT core should be identifiable using the Gröbner basis algorithm: Assume that  $F_c = F - \{f_j\}$ . If  $GB(F) = GB(F_c) = \{1\}$ , then it implies that  $f_j$  is a member of the ideal generated by  $(F - \{f_j\})$ , i.e.,  $f_j \in \langle F - \{f_j\} \rangle$ . Thus  $f_j$  can be composed of the other polynomials of  $F_c$ , so  $f_j$  is not a part of the UNSAT core, and it can be safely discarded from  $F_c$ . This can be identified by means of the GB algorithm for this ideal membership test.

A naive way (and inefficient way) to identify a *minimal core* using the GB computation is as follows: Select a polynomial  $f_i$  and see if  $V(F_c - \{f_i\}) = \emptyset$  (i.e., if reduced  $GB(F_c - \{f_i\}) = \{1\}$ ). If so, discard  $f_i$  from the core; otherwise retain  $f_i$  in  $F_c$ . Select a different  $f_i$  and continue until all polynomials  $f_i$  are visited for inclusion in  $F_c$ . This approach will produce a minimal core, as we would have tested each polynomial  $f_i$  for inclusion in the core. This requires  $O(|F|)$  calls to the GB engine, which is really impractical.

### 7.2.1 An Example Motivating Our Approach

Buchberger's algorithm picks pairs of polynomials from a given set, computes their *Spoly*, then reduces this *Spoly* with the given set of polynomials. If the remainder is nonzero, it is added to the set of polynomials. By tracking *Spoly* computations and multivariate divisions that lead to remainder 1, we can obtain an UNSAT core. Moreover, we can identify a minimal UNSAT core with one-time execution of Buchberger's algorithm.

**Example 7.1.** A SAT problem is described with 8 CNF clauses:

$$c_1 : \bar{a} \vee \bar{b}$$

$$c_2 : a \vee \bar{b}$$

$$c_3 : \bar{a} \vee b$$

$$c_4 : a \vee b$$

$$c_5 : x \vee y$$

$$c_6 : y \vee z$$

$$c_7 : b \vee \neg y$$

$$c_8 : a \vee x \vee \neg z$$

Using Boolean to polynomial mappings given in Table 7.1, we can transform them to a set of polynomials  $F = \{f_1, \dots, f_8\}$  over ring  $\mathbb{F}_2[a, b, x, y, z]$ :

$$\begin{array}{ll} f_1 : ab & f_5 : xy + y + x + 1 \\ f_2 : ab + a & f_6 : yz + y + z + 1 \\ f_3 : ab + b & f_7 : by + y \\ f_4 : ab + a + b + 1 & f_8 : axz + az + xz + z \end{array}$$

We compute its GB using Buchberger's algorithm with lexicographic term ordering  $a > b > x > y > z$ . Since this problem is UNSAT, we will stop when "1" is added to GB.

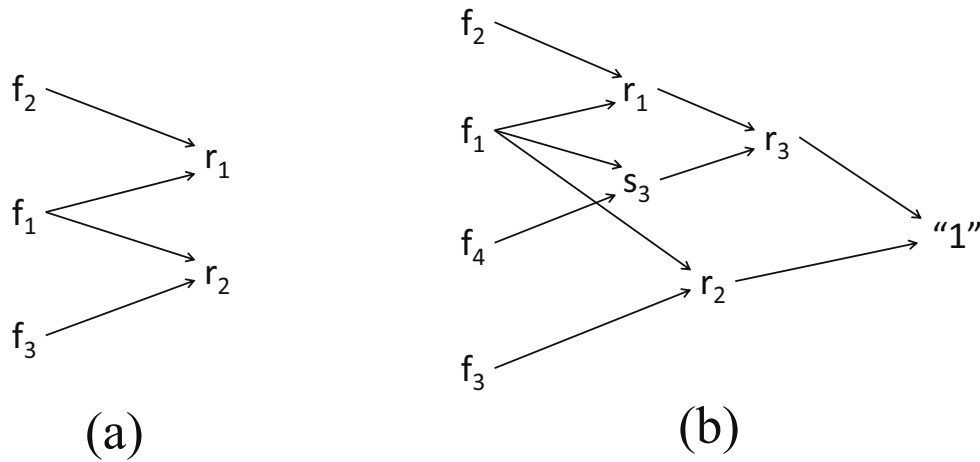
- 1) First we compute  $\text{Spoly}(f_1, f_2) \xrightarrow{F}_{+} r_1$ , remainder  $r_1$  equals to  $a$ ;
- 2) Update  $F = F \cup r_1$ ;
- 3) Next we compute  $\text{Spoly}(f_1, f_3) \xrightarrow{F}_{+} r_2$ , remainder  $r_2$  equals to  $b$ ;
- 4) Update  $F = F \cup r_2$ ;
- 5) We can use a directed acyclic graph (DAG) to represent the process to get  $r_1, r_2$ , as Figure 7.3(a) shows;
- 6) Then we compute  $\text{Spoly}(f_1, f_4) = s_3 = a + b + 1$ , obviously  $a + b + 1$  can be reduced (multivariate divided) by  $r_1$ , the intermediate remainder  $r_3 = b + 1$ . It can be immediately divided by  $r_2$ , and the remainder is "1," we terminate the Buchberger's algorithm;
- 7) We draw a DAG depicting the process through which we obtain remainder "1" as shown in Figure 7.3(b). From leaf "1" we backtrace the graph to roots  $f_1, f_2, f_3, f_4$ . They constitute an UNSAT core for this problem as these polynomials are the "causes" of the unsatisfiability of the original set of polynomials.

This general idea is depicted in Algorithm 10. We now show a formal and efficient implementation.

### 7.2.2 The Refutation Tree of the GB Algorithm: Find $F_c$ from $F$

We investigate whether it is possible to identify a core by analyzing the  $\text{Spoly}(f_i, f_j) \xrightarrow{F}_{+} g_{ij}$  reductions in Buchberger's algorithm. Since  $F$  is itself an UNSAT core, definitely *there exists a sequence of Spoly reductions in Buchberger's algorithm where  $\text{Spoly}(f_i, f_j) \xrightarrow{F}_{+} 1$  is achieved.*





**Figure 7.3:** DAG representing *Spoly* computations and multivariate divisions.

---

**Algorithm 10:** Extract UNSAT core using a variation of Buchberger's algorithm

---

**Input:** A set of polynomials  $F = \{f_1, f_2, \dots, f_s\}$

**Output:** An UNSAT core  $\{f_{m_1}, f_{m_2}, \dots, f_{m_i}\}$

1 **repeat**

2   Pick a pair  $f_i, f_j \in F$  that has never been computed *Spoly*;

3   **if**  $Spoly(f_i, f_j) \xrightarrow{F} r_l \neq 0$  **then**

4      $F = F \cup r_l$ ;

5     Create a DAG  $G_l$  with  $f_i, f_j$  as roots,  $r_l$  as leaf, recording the *Spoly*, all intermediate remainders and  $f_k \in F$  that cancel monomial terms in the *Spoly*;

6   **end**

7 **until**  $r_l == 1$ ;

8 Backward traverse the DAG for remainder "1", replace  $r_l$  with corresponding DAG  $G_l$ ;

9 **return** All roots

---

Moreover, polynomial reduction algorithms can be suitably modified to record which polynomials from  $F$  are used in the division leading to  $Spoly(f_i, f_j) \xrightarrow{F} 1$ . This suggests that we should be able to identify a core by recording the *data* generated by Buchberger's algorithm — namely, the critical pairs  $(f_i, f_j)$  used in the *Spoly* computations, and the polynomials from  $F$  used to cancel terms in the reduction  $Spoly(f_i, f_j) \xrightarrow{F} 1$ . The following example motivates our approach to identify  $F_c \subseteq F$  using this data:

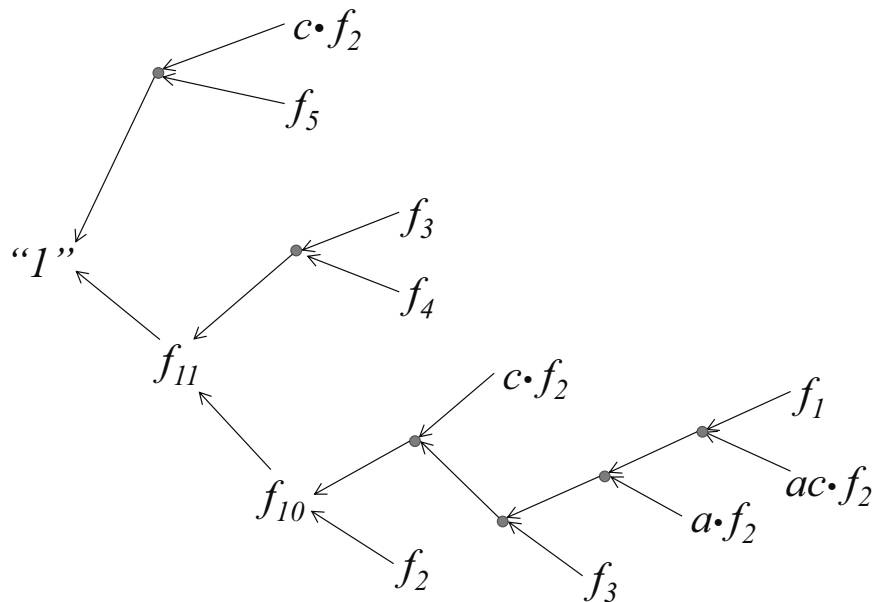
**Example 7.2.** Consider the following set of polynomials  $F = \{f_1, \dots, f_9\}$ :

$$\begin{array}{ll} f_1 : abc + ab + ac + bc & f_5 : bc + c \\ \quad + a + b + c + 1 & f_6 : abd + ad + bd + d \\ f_2 : b & f_7 : cd \\ f_3 : ac & f_8 : abd + ab + ad + bd + a + b + d + 1 \\ f_4 : ac + a & f_9 : abd + ab + bd + b \end{array}$$

Assume  $>_{DEGLEX}$  monomial ordering with  $a > b > c > d$ . Let  $F = \{f_1, \dots, f_9\}$  and  $J = \langle F \rangle \subset \mathbb{F}_2[a, b, c, d]$  where  $\mathbb{F}_2 = \{0, 1\}$  is the finite field of 2 elements. Then  $V(J) = \emptyset$  as  $GB(J) = 1$ . The set  $F$  consists of 4 minimal cores:  $F_{c1} = \{f_1, f_2, f_3, f_4, f_7, f_8\}$ ,  $F_{c2} = \{f_2, f_4, f_5, f_6, f_8\}$ ,  $F_{c3} = \{f_2, f_3, f_4, f_6, f_8\}$ , and  $F_{c4} = \{f_1, f_2, f_4, f_5\}$ .

Buchberger's algorithm terminates to a unique reduced GB, irrespective of the order in which the critical pairs  $(f_i, f_j)$  are selected and reduced by operation  $Spoly(f_i, f_j) \xrightarrow{F} g_{ij}$ . Let us suppose that in the GB computation corresponding to Example 7.2, the first 3 critical *Spoly* pairs analyzed are  $(f_1, f_2)$ ,  $(f_3, f_4)$ , and  $(f_2, f_5)$ . It turns out that the *Spoly*-reductions corresponding to these 3 pairs lead to the unit ideal. Recording the data corresponding to this sequence of reductions is depicted by means of a graph in Figure 7.4. We call this graph a *refutation tree*.

In the figure, the nodes of the graph correspond to the polynomials utilized in Buchberger's



**Figure 7.4:** Generating refutation trees to record UNSAT cores.

algorithm. The leaf nodes always correspond to polynomials from the given generating set. An edge  $e_{ij}$  from node  $i$  to node  $j$  signifies that the polynomial at node  $j$  results from the polynomial at node  $i$ . For example, consider the computation  $Spoly(f_1, f_2) \xrightarrow{F} f_{10}$ , where  $f_{10} = a + c + 1$ . Since  $Spoly(f_1, f_2) = f_1 - ac \cdot f_2$ , the leaves corresponding to  $f_1$  and  $ac \cdot f_2$  are created. The reduction  $Spoly(f_1, f_2) \xrightarrow{F} f_{10}$  is carried out as the following sequence of 1-step divisions:  $Spoly(f_1, f_2) \xrightarrow{a \cdot f_2} f_3 \xrightarrow{f_3} \xrightarrow{c \cdot f_2} f_2 \xrightarrow{f_2} f_{10}$ . This is depicted as the bottom subtree in the figure, terminating at polynomial  $f_{10}$ . Moreover, the multiplication  $a \cdot f_2$  implies that division by  $f_2$  resulted in the quotient  $a$ . The refutation tree of Figure 7.4 shows further that  $Spoly(f_3, f_4) \xrightarrow{f_{10}} f_{11} = c + 1$  and, finally,  $Spoly(f_5, f_2) \xrightarrow{f_{11}} 1$ .

To identify an  $F_c \subset F$ , we start from the refutation node “1” and traverse the graph in reverse, all the way up to the leaves. Then, all the leaves in the transitive fanin of “1” constitute an UNSAT core. The polynomials (nodes) that do not lie in the transitive fanin of “1” can be safely discarded from  $F_c$ . From Figure 7.4,  $F_c = \{f_1, f_2, f_3, f_4, f_5\}$  is identified as an UNSAT core of  $F$ .

### 7.3 Reducing the Size of the UNSAT Core $F_c$

The core  $F_c$  obtained from the aforementioned procedure may contain redundant elements which could be discarded. For example, consider the core  $F_c = \{f_1, \dots, f_5\}$  generated in the previous section. While  $F_c$  is a smaller infeasible core of  $F$ , it is not minimal. In fact, Example 1 shows that  $F_{c4} = \{f_1, f_2, f_4, f_5\}$  is the minimal core, where  $F_{c4} \subset F_c$ . Clearly, the polynomial  $f_3 \in F_c$  is a redundant element of the core and can be discarded. We will now describe techniques to further reduce the size of the UNSAT core by identifying such redundant elements. For this purpose, we perform a more systematic book-keeping of the data generated during the execution of Buchberger’s algorithm and the refutation tree.

#### 7.3.1 Identifying Redundant Polynomials from the Refutation Tree

We record the S-polynomial reduction  $Spoly(f_i, f_j) \xrightarrow{F} g_{ij}$ , which gives a nonzero remainder when divided by the system of polynomials  $F$  at that moment. The remainder  $g_{ij}$  is a polynomial combination of  $Spoly(f_i, f_j)$  and the current basis  $F$ ; thus, it can be represented as

$$g_{ij} = S(f_i, f_j) + \sum_{k=1}^m c_k f_k, \quad (7.1)$$

where  $0 \neq c_k \in \mathbb{F}[x_1, \dots, x_d]$  and  $\{f_1, \dots, f_m\}$  is the “current” system of polynomials  $F$ . For each nonzero  $g_{ij}$ , we will record the following data:

$$((g_{ij})(f_i, h_{ij})(f_j, h_{ji})|(c_{k1}, f_{k1}), (c_{k2}, f_{k2}), \dots, (c_{kl}, f_{kl})) \quad (7.2)$$

In Equation 7.1 and Equation 7.2,  $g_{ij}$  denotes the remainder of the  $S$ -polynomial  $Spoly(f_i, f_j)$  modulo the current system of polynomials  $f_1, \dots, f_m$ , and we denote by

$$h_{ij} := \frac{LCM(lm(f_i), lm(f_j))}{lt(f_i)}, h_{ji} := -\frac{LCM(lm(f_i), lm(f_j))}{lt(f_j)}$$

the coefficients of  $f_i$ , respectively  $f_j$ , in the  $S$ -polynomial  $Spoly(f_i, f_j)$ . Furthermore, in Equation 7.2,  $(c_{k1}, \dots, c_{kl})$  are the respective quotients of division by polynomials  $(f_{k1}, \dots, f_{kl})$ , generated during the  $Spoly$  reduction.

**Example 7.3.** Revisiting Example 7.2, and Figure 7.4, the data corresponding to  $Spoly(f_1, f_2) \xrightarrow{F} g_{12} = f_{10}$  reduction is obtained as the following sequence of computations:

$$f_{10} = g_{12} = f_1 - acf_2 - af_2 - f_3 - cf_2 - f_2.$$

As the coefficient field is  $\mathbb{F}_2$  in this example,  $-1 = +1$ , so:

$$f_{10} = g_{12} = f_1 + acf_2 + af_2 + f_3 + cf_2 + f_2$$

is obtained. The data is recorded according to Equation 7.2:

$$((f_{10} = g_{12}), (f_1, 1)(f_2, ac)|(a, f_2), (1, f_3), (c, f_2), (1, f_2))$$

Our approach and the book-keeping terminates when we obtain “1” as the remainder of some  $S$ -polynomial modulo the current system of generators. As an output of the Buchberger’s algorithm, we can obtain not only the Gröbner basis  $G = \{g_1, \dots, g_t\}$ , but also a matrix  $M$  of polynomials such that:

$$\begin{bmatrix} g_1 \\ g_2 \\ \vdots \\ g_t \end{bmatrix} = M \begin{bmatrix} f_1 \\ f_2 \\ \vdots \\ f_s \end{bmatrix} \quad (7.3)$$

Each element  $g_i$  of  $G$  is a polynomial combination of  $\{f_1, \dots, f_s\}$ . Moreover, this matrix  $M$  is constructed precisely using the data that is recorded in the form of Equation 7.2. We now give a condition when the matrix  $M$  may identify some redundant elements.

**Theorem 7.2.** *With the notations above, we have that a core for the system of generators  $F = \{f_1, \dots, f_s\}$  of the ideal  $J$  is given by the union of those  $f_i$ 's from  $F$  that appear in the data recorded above and correspond to the nonzero entries in the matrix  $M$ .*

**Proof.** In our case, since the variety is empty, and hence the ideal is unit, we have that  $G = \{g_1 = 1\}$  and  $t = 1$ . Therefore  $M = [a_1, \dots, a_s]$  is a vector. Then the output of the algorithm gives:  $1 = a_1 f_1 + \dots + a_s f_s$ . Clearly, if  $a_i = 0$  for some  $i$  then  $f_i$  does not appear in this equation and should not be included in the infeasible core of  $F$ . ■

**Example 7.4.** *Corresponding to Example 7.2 and the refutation tree shown in Figure 7.4, we discover that the polynomial  $f_3$  is used only twice in the division process. In both occasions, the quotient of the division is 1. From Figure 7.4, it follows that*

$$1 = (f_2 + f_5) + \dots + \mathbf{1} \cdot \mathbf{f}_3 + \dots + \mathbf{1} \cdot \mathbf{f}_3 + \dots + (f_1 + f_2) \quad (7.4)$$

Since  $1 + 1 = 0$  over  $\mathbb{F}_2$ , we have that the entry in  $M$  corresponding to  $f_3$  is 0, and so  $f_3$  can be discarded from the core.

### 7.3.2 The GB-Core Algorithm Outline

The following steps describe an algorithm (GB-Core) that allows us to compute a refutation tree of the polynomial set and corresponding matrix  $M$ .

**Inputs:** Given a system of polynomials  $F = \{f_1, \dots, f_s\}$ , a monomial order  $>$  on  $\mathbb{F}[x_1, \dots, x_d]$ .

**S-polynomial reduction:** We start computing the S-polynomials of the system of generators  $\{f_1, \dots, f_s\}$ , then divide each of them by the current basis  $G = \{f_1, \dots, f_s, \dots, f_m\}$ , which is the intermediate result of Buchberger's algorithm. In this way, we obtain expressions of the following type:

$$g_{ij} = \underbrace{h_{ij}f_i + h_{ji}f_j}_{\text{Spoly}(f_i, f_j)} + \sum_{k=1}^m c_k f_k \quad (7.5)$$

If the remainder  $g_{ij}$  is nonzero, we denote it by  $f_{m+1}$  and add it to the current set of generators  $G$ . We also record the data as in Equation 7.2:

$$((f_{m+1} = g_{ij})(f_i, h_{ij})(f_j, h_{ji})|(c_{k1}, f_{k1}), (c_{k2}, f_{k2}), \dots, (c_{kl}, f_{kl}))$$

This data forms a part of the refutation tree rooted at node  $f_{m+1}$ .

**Recording the coefficients:** In Equation 7.5 we obtain a vector of polynomial coefficients  $c_k$  where  $k > s$ . These coefficients are associated with new elements (remainders) in the Gröbner basis that are not a part of the UNSAT core. Since each polynomial  $f_k$ , ( $k > s$ ) is generated by  $\{f_1, \dots, f_s\}$ , we can re-express  $f_k$  in terms of  $\{f_1, \dots, f_s\}$ . Thus, each  $f_k, k > s$  can be written as  $f_k = d_1 f_1 + \dots + d_s f_s$ . This process adds a new row  $(d_1, \dots, d_s)$  to the coefficient matrix  $M$ .

**Termination and refutation tree construction:** We perform S-polynomial reductions and record these coefficients generated during the division until the remainder  $f_m = 1$  is encountered. The corresponding data is stored in a data-structure  $D$  corresponding to Equation 7.2. The matrix  $M$  is also constructed. From this recorded data the refutation tree can be easily derived.

We start with the refutation node “ $f_m = 1$ ”:

$$((f_m = 1)(f_i, h_{ij})(f_j, h_{ji})|(c_{k1}, f_{k1}), (c_{k2}, f_{k2}), \dots, (c_{kl}, f_{kl}))$$

and recursively substitute the expressions for the polynomials  $f_k$  ( $k > s$ ) until we obtain the tree with all the leaf nodes corresponding to the original set of polynomials  $\{f_1, \dots, f_s\}$ . Algorithm 11 describes this data recording through which the refutation tree  $T$  and the matrix  $M$  is derived.

---

**Algorithm 11:** GB-core algorithm (based on Buchberger’s algorithm)

---

**Input:**  $F = \{f_1, \dots, f_s\} \in \mathbb{F}[x_1, \dots, x_d], f_i \neq 0$

**Output:** Refutation tree  $T$  and coefficients matrix  $M$

- 1: Initialize: list  $G \leftarrow F$ ; Dataset  $D \leftarrow \emptyset$ ;  $M \leftarrow s \times s$  unit matrix
  - 2: **for** each pair  $(f_i, f_j) \in G$  **do**
  - 3:    $f_{sp}, (f_i, h_{ij})(f_j, h_{ji}) \leftarrow Spolyf_i, f_j$  { $f_{sp}$  is the S-polynomial}
  - 4:    $g_{ij}|(c_{k1}, f_{k1}), \dots, (c_{kl}, f_{kl}) \leftarrow (f_{sp} \xrightarrow{G} g_{ij})$
  - 5:   **if**  $g_{ij} \neq 0$  **then**
  - 6:      $G \leftarrow G \cup g_{ij}$
  - 7:      $D \leftarrow D \cup ((g_{ij})(f_i, h_{ij})(f_j, h_{ji})|(c_{k1}, f_{k1}), (c_{k2}, f_{k2}), \dots, (c_{kl}, f_{kl}))$
  - 8:     Update matrix  $M$
  - 9:   **end if**
  - 10: **if**  $g_{ij} = 1$  **then**
  - 11:   Construct  $T$  from  $D$
  - 12:   Return( $T, M$ )
  - 13: **end if**
  - 14: **end for**
- 

Notice that the core can actually be derived directly from the matrix  $M$ . However, we also construct the refutation tree  $T$  as it facilitates an iterative refinement of the core, which is described in the next section.

## 7.4 Iterative Refinement of the UNSAT Core

As with most other UNSAT core extractors, our algorithm also cannot generate a minimal core in one execution. To obtain a smaller core, we re-execute our algorithm with the core obtained in the current iteration. We describe two heuristics that are applied to our algorithm to increase the likelihood of generating a smaller core in the next iteration.

An effective heuristic should increase the chances that the refutation “1” is composed of fewer polynomials. In our GB-core algorithm, we use a strategy to pick critical pairs such that polynomials with larger indexes get paired *later* in the order:

$$(f_1, f_2) \rightarrow (f_1, f_3) \rightarrow (f_2, f_3) \rightarrow (f_1, f_4) \rightarrow (f_2, f_4) \rightarrow \dots$$

Moreover, for the reduction process  $Spoly(f_i, f_j) \xrightarrow{F} g_{ij}$ , we pick divisor polynomials from  $F$  following the increasing order of polynomial indexes. Therefore, by relabeling the polynomial indexes, we can affect their chances of being selected in the UNSAT core. We use two criteria to affect the polynomial selection in the UNSAT core. One corresponds to the *refutation distance*, whereas the other corresponds to the *frequency* with which a polynomial appears in the refutation tree.

**Definition 7.4** (Refutation Distance). *Refutation distance of a polynomial  $f_i$  in a refutation tree corresponds to the number of edges on the shortest path from refutation node “1” to any leaf node that represents polynomial  $f_i$ .*

On a given refutation tree, polynomials with shorter refutation distances are used as divisors in later stages of polynomial reductions, which implies that they may generally have lower-degree leading terms. This is because we impose a degree-lexicographic term order, and successive divisions (term cancellations) reduce the degree of the remainders. However, what is more desirable is to use these polynomials with lower-degree leading terms earlier in the reduction, as they can cancel more terms. This may prohibit other (higher-degree) polynomials from being present in the UNSAT core.

Similarly, we can define the concept of another heuristic:

**Definition 7.5** (Frequency of Occurrence). *The frequency of occurrence of a polynomial  $f_i$  in a refutation tree corresponds to the number of times it appears in the refutation tree.*

The motivation for using the *frequency of occurrence* of  $f_i$  in the refutation tree is as follows: polynomials that appear frequently in the refutation tree may imply that they have certain properties (leading terms) that give them a higher likelihood of being present in the UNSAT core.

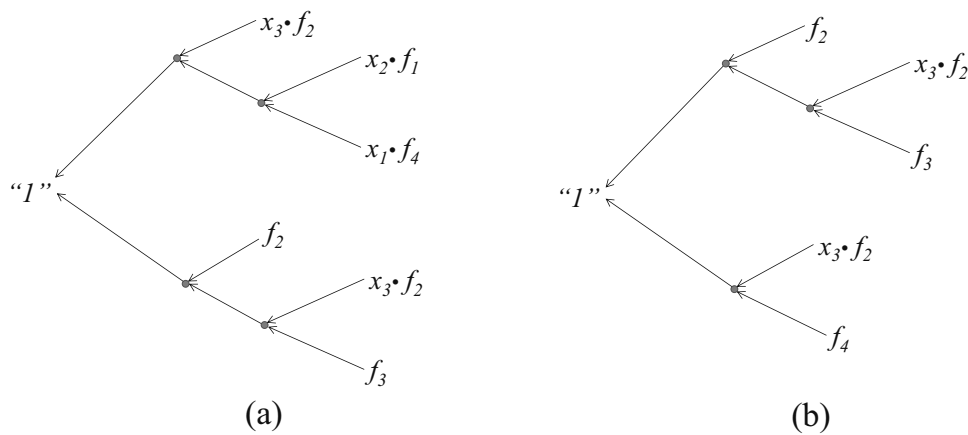
We apply both heuristics: After the first iteration of the GB-core algorithm, we analyze the refutation tree  $T$  and sort the polynomials in the core by the refutation distance criterion, and use the frequency criterion as the tie-breaker. The following example illustrates our heuristic.

**Example 7.5.** Consider a set of 6 polynomials over  $\mathbb{F}_2$  of an infeasible instance.

$$\begin{aligned} f_1 &: x_1x_3 + x_3; & f_2 &: x_2 + 1 \\ f_3 &: x_2x_3 + x_2; & f_4 &: x_2x_3 \\ f_5 &: x_2x_3 + x_2 + x_3 + 1; & f_6 &: x_1x_2x_3 + x_1x_3 \end{aligned}$$

After the first iteration of the GB-core algorithm, the core is identified as  $\{f_1, f_2, f_3, f_4\}$ , and we obtain a refutation tree as shown in Figure 7.5(a).

The refutation distance corresponding to polynomial  $f_2$  is equal to 2 levels. Note that while three leaf nodes in Figure 7.5 (a) correspond to  $f_2$ , the shortest distance from “1” to any  $f_2$  node is 2 levels. The refutation distance and frequency measures of other polynomials are identical – equal to 3 and 1, respectively – so their relative ordering is unchanged. We reorder  $f_2$  to be the polynomial with the smallest index. We reindex the polynomial set  $f'_1 = f_2, f'_2 = f_1, f'_3 = f_3, f'_4 = f_4$  and apply our GB-core algorithm on the core  $\{f'_1, f'_2, f'_3, f'_4\}$ . The result is shown in Figure 7.5(b) with



**Figure 7.5:** Refutation trees of core refinement example.



the core identified as  $\{f'_1, f'_3, f'_4\} = \{f_2, f_3, f_4\}$ . Further iterations do not refine the core – i.e., a fix point is reached.

## 7.5 Refining the UNSAT Core Using Syzygies

The UNSAT core obtained through our GB-core algorithm is by nature a refutation polynomial equal to 1:

$$1 = \sum_{i=1}^s c_i \cdot f_i$$

where  $0 \neq c_i \in \mathbb{F}[x_1, \dots, x_d]$  and the polynomials  $F = \{f_1, \dots, f_s\}$  form a core. Suppose that a polynomial  $f_k \in F$  can be represented using a combination of the rest of the polynomials of the core, e.g.,

$$f_k = \sum_{j \neq k} c'_j f_j.$$

Then we can substitute  $f_k$  in terms of the other polynomials in the refutation. Thus,  $f_k$  can be dropped from the core as it is redundant. One of the limitations of the GB-core algorithm and the relabeling/refinement strategy is that they cannot easily identify such polynomials  $f_k$  in the generating set  $F$  that can be composed of the other polynomials in the basis, i.e.,  $f_k \in \langle F - \{f_k\} \rangle$ . We present an approach targeted to identify such combinations to further refine the core.

During the execution of Buchberger's algorithm, many critical pairs  $(f_i, f_j)$  do not add any new polynomials in the basis when  $Spoly(f_i, f_j) \xrightarrow{F} 0$  gives zero remainder. Naturally, for the purpose of the GB computation, this data is discarded. However, our objective is to gather more information from each GB iteration so as to refine the core. Therefore, we further record the quotient-divisor data from S-polynomial reductions that result in the remainder 0. Every  $Spoly(f_i, f_j) \xrightarrow{F} 0$  implies that some polynomial combination of  $\{f_1, \dots, f_s\}$  vanishes: i.e.,  $c_1 f_1 + c_2 f_2 + \dots + c_s f_s = 0$ , for some  $c_1, \dots, c_s$ . These elements  $(c_1, \dots, c_s)$  form a syzygy on  $f_1, \dots, f_s$ .

**Definition 7.6** (Syzygy [113]). *Let  $F = \{f_1, \dots, f_s\}$ . A syzygy on  $f_1, \dots, f_s$  is an  $s$ -tuple of polynomials  $(c_1, \dots, c_s) \in (\mathbb{F}[x_1, \dots, x_d])^s$  such that  $\sum_{i=1}^s c_i \cdot f_i = 0$ .*

For each  $Spoly(f_i, f_j) \xrightarrow{F} 0$  reduction, we record the information on corresponding syzygies as in Equation 7.6, also represented in matrix form in Equation 7.7:

$$\begin{cases} c_1^1 f_1 + c_2^1 f_2 + \cdots + c_s^1 f_s = 0 \\ c_1^2 f_1 + c_2^2 f_2 + \cdots + c_s^2 f_s = 0 \\ \vdots \\ c_1^m f_1 + c_2^m f_2 + \cdots + c_s^m f_s = 0 \end{cases} \quad (7.6)$$

$$\begin{bmatrix} c_1^1 & c_2^1 & \cdots & c_s^1 \\ c_1^2 & c_2^2 & \cdots & c_s^2 \\ \vdots & \vdots & \ddots & \vdots \\ c_1^m & c_2^m & \cdots & c_s^m \end{bmatrix} \begin{bmatrix} f_1 \\ f_2 \\ \vdots \\ f_s \end{bmatrix} = 0 \quad (7.7)$$

Here  $\{f_1, f_2, \dots, f_s\}$  is the given core. Take one column of the syzygy matrix (e.g., the set of polynomials in  $j$ -th column  $c_j^1, c_j^2, \dots, c_j^m$ ) and compute its reduced Gröbner basis  $G_r$ . If  $G_r = \{1\}$ , then it means that there exists some polynomial vector  $[r_1, r_2, \dots, r_m]$  such that  $1 = r_1 c_j^1 + r_2 c_j^2 + \cdots + r_m c_j^m = \sum_{i=1}^m r_i c_j^i$ . If we multiply each row  $i$  in the matrix of Equation 7.7 with  $r_i$ , and sum up all the rows, we will obtain the following equation:

$$\left[ \sum_{i=1}^m r_i c_1^i \quad \cdots \quad 1 \quad \cdots \quad \sum_{i=1}^m r_i c_s^i \right] \begin{bmatrix} f_1 \\ f_2 \\ \vdots \\ f_s \end{bmatrix} = 0 \quad (7.8)$$

This implies that

$$\sum_{i=1}^m r_i c_1^i f_1 + \cdots + f_j + \cdots + \sum_{i=1}^m r_i c_s^i f_s = 0,$$

or that  $f_j$  is a polynomial combination of  $f_1, \dots, f_s$  (excluding  $f_j$ ). Subsequently, we can deduce that  $f_j$  can be discarded from the core. By repeating this procedure, some redundant polynomials can be identified and the size of UNSAT core can be reduced further.

**Example 7.6.** *Revisiting Example 7.2, execute the GB-core algorithm and record the syzygies on  $f_1, \dots, f_s$  corresponding to the  $S$ -polynomials that give 0 remainder. The coefficients can be represented as entries in the matrix shown below. For example, the first row in the matrix corresponds to the syzygies generated by  $S_{\text{poly}}(f_1, f_3) \xrightarrow{F} 0$ .*

$$\begin{array}{l}
\text{Spoly}(f_1, f_3) \\
\text{Spoly}(f_2, f_3) \\
\text{Spoly}(f_1, f_4) \\
\text{Spoly}(f_2, f_4) \\
\text{Spoly}(f_1, f_5)
\end{array}
\begin{array}{c}
f_1 \quad f_2 \quad f_3 \quad f_4 \quad f_5 \quad f_6 \quad f_7 \quad f_8 \quad f_9 \quad f_{10} \\
\left( \begin{array}{cccccccccc}
1 & a+c+1 & b+1 & 0 & 0 & 0 & 0 & 0 & 0 & 1 \\
0 & ac & b & 0 & 0 & 0 & 0 & 0 & 0 & 0 \\
1 & c+1 & 1 & b & 0 & 0 & 0 & 0 & 0 & 1 \\
0 & ac+a & 0 & b & 0 & 0 & 0 & 0 & 0 & 0 \\
1 & a+c+1 & 0 & 0 & a & 0 & 0 & 0 & 0 & 1
\end{array} \right)
\end{array} \quad (7.9)$$

Usually, we need to generate extra columns compared to the syzygy matrix of Equation 7.7. In this example, we need to add an extra column for the coefficient of  $f_{10}$ . This is because  $f_{10}$  is not among the original generating set; however, some  $S$ -polynomial pairs require this new remainder  $f_{10}$  as a divisor during reduction. In order to remove this extra column, we need to turn the nonzero entries in this column to 0 through standard matrix manipulations.

Recall that we record  $f_{10}$  in  $M$  as a nonzero remainder when reducing  $S$ -polynomial pair  $\text{Spoly}(f_1, f_2) \xrightarrow{F} f_{10}$ . We extract this information from the coefficient matrix  $M$ :

$$(1 \quad ac + a + c + 1 \quad 1 \quad 0 \quad 0 \quad 0 \quad 0 \quad 0 \quad 0 \quad 0)$$

It represents  $f_{10}$  is a combination of  $f_1$  to  $f_9$ :

$$f_{10} = f_1 + (ac + a + c + 1)f_2 + f_3$$

It can be written in the same syzygy matrix form (with column  $f_{10}$  present) as follows:

$$\begin{array}{l}
\text{Spoly}(f_1, f_2)
\end{array}
\begin{array}{c}
f_1 \quad f_2 \quad f_3 \quad f_4 \quad f_5 \quad f_6 \quad f_7 \quad f_8 \quad f_9 \quad f_{10} \\
\left( \begin{array}{cccccccccc}
1 & ac + a + c + 1 & 1 & 0 & 0 & 0 & 0 & 0 & 0 & 1
\end{array} \right) \quad (7.10)
\end{array}$$

By adding this row vector (Equation 7.10) to the rows in Equation 7.9 corresponding to the nonzero entries in the column for  $f_{10}$ , we obtain the syzygy matrix only for the polynomials in the core:

$$\begin{array}{l}
\text{Spoly}(f_1, f_3) \\
\text{Spoly}(f_2, f_3) \\
\text{Spoly}(f_1, f_4) \\
\text{Spoly}(f_2, f_4) \\
\text{Spoly}(f_1, f_5)
\end{array}
\begin{array}{c}
f_1 \quad f_2 \quad f_3 \quad f_4 \quad f_5 \quad f_6 \quad f_7 \quad f_8 \quad f_9 \\
\left( \begin{array}{cccccccc}
0 & ac & b & 0 & 0 & 0 & 0 & 0 & 0 \\
0 & ac & b & 0 & 0 & 0 & 0 & 0 & 0 \\
0 & ac + a & 0 & b & 0 & 0 & 0 & 0 & 0 \\
0 & ac + a & 0 & b & 0 & 0 & 0 & 0 & 0 \\
0 & ac & 1 & 0 & a & 0 & 0 & 0 & 0
\end{array} \right)
\end{array}$$

We find out there is a "1" entry in the  $f_3$  column. The last row implies that  $f_3$  is a combination of  $f_2, f_5$  ( $f_3 = acf_2 + af_5$ ), so  $f_3$  can be discarded from the core.

The syzygy heuristic gathers extra information from the GB computation, it is still not sufficient to derive all polynomial dependencies. In Buchberger’s algorithm, many S-polynomials reduce to zero, so the number of rows of the syzygy matrix can be much larger than the size of the original generating set. Full GB computation on each column of the syzygy matrix can become prohibitive to apply iteratively. For this reason, we only apply the syzygy heuristic on the smaller reduced core given by our iterative refinement algorithm.

**Our Overall Approach for UNSAT Core Extraction:** i) Given the set  $F = \{f_1, \dots, f_s\}$ , we apply the GB-core algorithm, record the data  $D, M$  (Section 4) and the syzygies  $S$  on  $f_1, \dots, f_s$ . ii) From  $M$ , we obtain a core  $F_c \subseteq F$ . iii) Iteratively refine  $F_c$  (Section 5) until  $|F_c|$  cannot be reduced further. iv) Apply the syzygy-heuristic (Section 6) to identify if some  $f_k \in F_c$  is a combination of other polynomials in  $F_c$ ; all such  $f_k$  are discarded from  $F_c$ . This gives us the final UNSAT core  $F_c$ .

## 7.6 Application to Abstraction Refinement

In this section we apply our UNSAT core extraction approach to the  $k$ -BMC in Algorithm 7. This algorithm utilizes UNSAT core to remove irrelevant latches (state variables) to reduce the state space. Since those state variables contribute nothing to the violation of property  $p$ , the abstracted model is a reasonable overapproximation for checking  $p$  without loss of accuracy. In the following example, we apply the UNSAT core extraction approach to a FSM which is complicated for bounded model checking and show the power of abstraction refinement to reduce the state space for refined  $k$ -BMC.

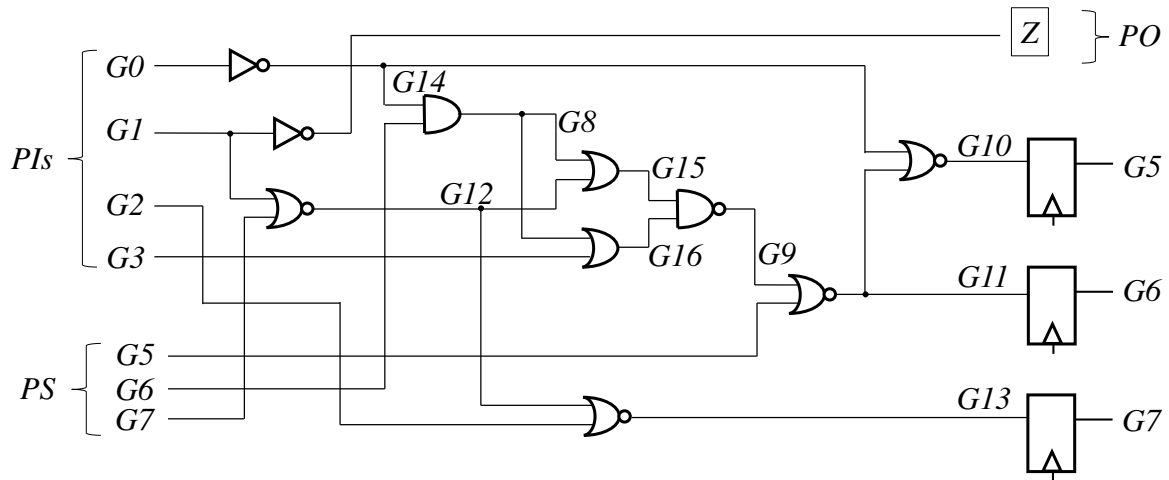
**Example 7.7.** *Figure 7.6 shows a sequential circuit (“s27” from the ISCAS benchmark set) with 3-bit state registers  $PS = \{G7, G6, G5\}$  and  $NS = \{G13, G11, G10\}$ . Its underlying FSM contains 8 states, as shown in Figure 7.7*

*On this FSM, define a linear temporal logic (LTL) property*

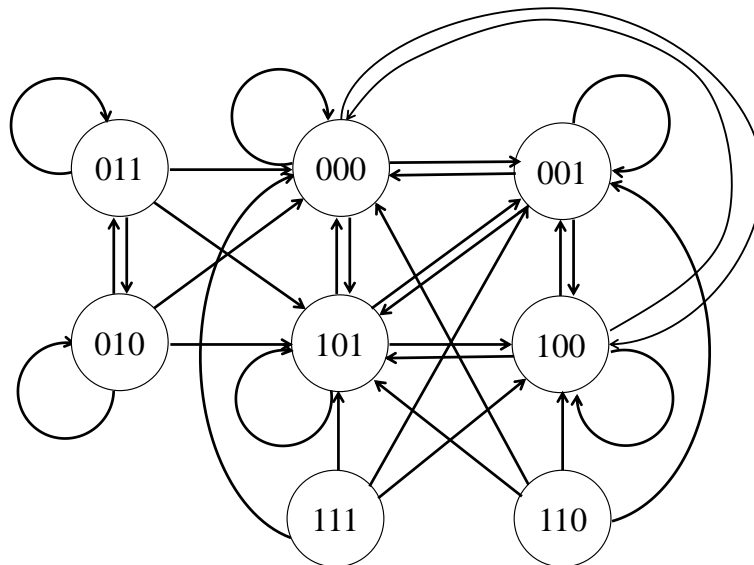
$$p = \mathbf{AG}((\neg G13)\mathbf{U}(\neg Z))$$

*with given initial state  $\{000\}$ . Model checking on this machine requires traversal on the STG to search for an accepting trace. If we use  $k$ -BMC without abstraction refinement, we need to unroll the machine to iteration  $k = 3$ . We show how abstraction will be applied using our setup.*

*Because the circuit has 3 latches, we model the problem over the field  $\mathbb{F}_{2^3}$ . First, let the bound  $k = 0$ . Generate the polynomial constraints for initial state ideal  $I$  and check  $\text{SAT}(I \wedge \neg p)$  using*



**Figure 7.6:** Gate-level schematic of the example circuit.



**Figure 7.7:** State transition graph of example circuit.

*Gröbner bases. The ideal*

$$\begin{aligned}
 I = \langle & G14 + 1 + G0, G8 + G14 \cdot G6, G15 + G12 + G8 + G12 \cdot G8, \\
 & G16 + G3 + G8 + G3 \cdot G8, G9 + 1 + G16 \cdot G15, \\
 & G10 + 1 + G14 + G11 + G14 \cdot G11, G11 + 1 + G5 + G9 + G5 \cdot G9, \\
 & G12 + 1 + G1 + G7 + G1 \cdot G7, G13 + 1 + G2 + G12 + G2 \cdot G12, \\
 & Z + 1 + G1, \\
 & \text{(Initial state 000 )}G5, G6, G7 \rangle;
 \end{aligned}$$

*Property  $\neg p$  is also written as a polynomial in the first time-frame:*

$$\neg p = Z \cdot G13 + 1$$

*As  $I \wedge \neg p$  is UNSAT by the weak Nullstellensatz, we extract an UNSAT core using our approach:*

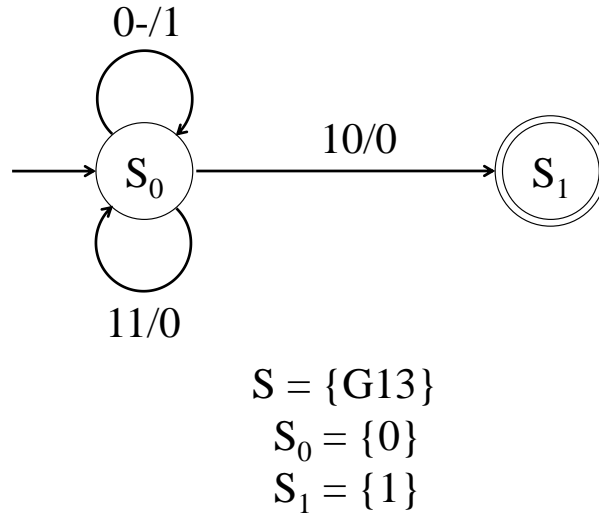
$$\begin{aligned}
 \text{Core}(I \wedge \neg p) = & G12 + 1 + G1 + G7 + G1 \cdot G7, G13 + 1 + G2 + G12 + G2 \cdot G12, \\
 & Z + 1 + G1, G7;
 \end{aligned}$$

*The result shows that state variables  $\{G5, G6, G10, G11\}$  are irrelevant when considering the violation of  $p$ . Thus, we can remove the latches  $G10, G11$ , and make  $G5, G6$  primary inputs. In this way, the number of state variables is reduced to 1, such that the new machine only contains 2 states, as the STG in Figure 7.8.*

*Since the state space is greatly reduced, we can execute unbounded model checking on this abstracted machine with less cost. As a result, property  $p$  is not violated on the abstracted machine. Therefore,  $p$  is also a passing property of the original machine and the refined  $k$ -BMC algorithm terminates!*

## 7.7 Experiment Results

We have implemented our core extraction approach (the GB-Core and the refinement algorithms) using the SINGULAR symbolic algebra computation system [v. 3-1-6] [124]. With our tool implementation, we have performed experiments to extract a minimal UNSAT core from a given set of polynomials. Our experiments run on a desktop with 3.5GHz Intel Core™ i7-4770K Quad-core CPU, 16 GB RAM and 64-bit Ubuntu Linux OS. The experiments are shown in Table 7.2.



**Figure 7.8:** State transition graph of abstracted machine.

Gröbner basis is not an efficient engine for solving contemporary industry-size CNF-SAT benchmarks, as the translation from CNF introduces too many variables and clauses for GB engines to handle. On the other hand, although our approach is totally compatible with any constraints which can be written as polynomials in GF extensions, there is no benchmark library clearly identifying a minimal core within which to test our tool.

In order to validate our approach, we make a compromise and create a somewhat customized benchmark library by modifying SAT benchmarks and translating from circuit benchmarks: 1) “aim-100” is a modified version of the random 3-SAT benchmark “aim-50/100”, modified by adding some redundant clauses; 2) The “subset” series are generated for random subset sum problems; 3) “cocktail” is similarly revised from a combination of factorization and a random 3-SAT benchmark; 4) and “phole4/5” are generated by adding redundant clauses to pigeon hole benchmarks; 5) Moreover, “SMPO” and “RH” benchmarks correspond to hardware equivalence checking instances of Agnew’s SMPO and RH-SMPO circuits [110, 111], compared against a golden model *spec*. Similarly, the “MasVMon” benchmarks are the equivalence checking circuits corresponding to Mastrovito multipliers compared against Montgomery multipliers [93]. Some of these are available as CNF formulas, whereas others were available directly as polynomials over finite fields. The CNF formulas are translated as polynomial constraints over  $\mathbb{F}_2$  (as shown in [13]), and the GB-Core

**Table 7.2:** Results of running benchmarks using our tool. Asterisk(\*) denotes that the benchmark was not translated from CNF. Our tool is composed of 3 parts: part I runs a single GB-core algorithm, part II applies the iterative refinement heuristic to run the GB-core algorithm iteratively, part III applies the syzygy heuristic.

Benchmark	# Polys	# MUS	Size of core			# GB-core iterations	Runtime (sec)			Runtime of PicoMUS (sec)
			I	II	III		I	II	III	
5 × 5 SMPO	240	137	169	137	137	8	1222	1938	1698	< 0.1
4 × 4 SMPO*	84	21	21	21	21	1	125	0.3	29	-
3 × 3 SMPO*	45	15	15	15	15	1	6.6	0.2	5.7	-
3 × 3 SMPO	17	2	2	2	2	1	0.07	0.01	0.01	< 0.1
4 × 4 MasVMont*	148	83	83	83	83	1	23	139	12	-
3 × 3 MasVMont*	84	53	53	53	53	1	4.3	4.6	0.9	-
2 × 2 MasVMont	27	23	24	23	23	2	1.3	1.0	80	< 0.1
5 × 5 RH*	142	34	48	35	35	4	997	1.0	80	-
4 × 4 RH*	104	35	43	36	36	3	96	5.7	0.6	-
3 × 3 RH*	50	20	20	20	20	1	2.9	3.5	10	-
aim-100	79	22	22	22	22	1	43	0.7	0.2	< 0.1
cocktail	135	4	6	4	4	2	51	0.01	0.01	< 0.1
subset-1	100	6	6	6	6	1	2.4	0.01	0.01	< 0.1
subset-2	141	19	37	23	21	2	12	1.6	1.1	< 0.1
subset-3	118	16	13	12	11	2	8.6	0.2	0.07	< 0.1
phole4	104	10	16	16	10	1	4.3	0.2	0.5	< 0.1
phole5	169	19	30	25	19	3	12	3.2	2.7	< 0.1

algorithm and the refinement approach are applied.

In Table 7.2, #Polys denotes the given number of polynomials from which a core is to be extracted. #MUS is the *minimal* core either extracted by *PicoMUS* (for CNF benchmarks) or exhaustive deletion method (for non-CNF benchmarks). #GB-core iterations corresponds to the number of calls to the GB-core engine to arrive at the reduced UNSAT core. The second-last column shows the improvement in the minimal core size by applying the syzygy heuristic on those cases which cannot be iteratively refined further. We choose *PicoMUS* as a comparison to our tool because it is a state-of-art MUS extractor, and the results it returned for our set of benchmarks are proved to be minimal. The data shows that in most of these cases, our tool can produce a minimal core. For the subset-3 benchmark, we obtain another core with even smaller size than the one from *PicoMUS*. The results demonstrate the power of the Gröbner basis technique to identify the causes of unsatisfiability.



## 7.8 Concluding Remarks

This chapter addresses the problem of identifying an infeasible core of a set of multivariate polynomials, with coefficients from a field, that have no common zeros. The problem is posed in the context of computational algebraic geometry and solved using the Gröbner basis algorithm. We show that by recording the data produced by Buchberger's algorithm – the  $Spoly(f_i, f_j)$  pairs, as well as the polynomials of  $F$  used in the division process  $Spoly(f_i, f_j) \xrightarrow{F} 1$  – we can identify certain conditions under which a polynomial can be discarded from a core. An algorithm was implemented within the Singular computer algebra tool and some experiments were conducted to validate the approach. While the use of GB engines for SAT solving has a rich history, the problem of UNSAT core identification using GB-engines has not been addressed by the SAT community. We hope that this technique will kindle some interest in this topic, which is worthy of attention from the SAT community – particularly when there seems to be a renewal of interest in the use of Gröbner bases for formal verification [66, 93, 98, 144].

## CHAPTER 8

### CONCLUSIONS AND FUTURE WORK

This dissertation presents a new approach to perform reachability analysis of FSMs at the word-level. It is facilitated by investigating the analog of implicit state enumeration algorithm in computer algebra and algebraic geometry domains. The image function part of the computation is mapped to a variety projection on next state variables. This projection is implemented by computing the Gröbner basis of an elimination ideal with abstraction term orders. Moreover, the set operations in the state space are mapped to the arithmetic of ideals, as algebraic geometry provides a way to reason about the variety (solutions) by manipulating the ideals. A special term order (RATO) is utilized to improve the Gröbner bases computation, and a tool is developed to implement our word-level FSM traversal algorithm. Experiments are performed to analyze the reachability for ISCAS'89 and ITC'99 circuit benchmarks.

Next, we describe a method to execute functional verification on sequential Galois field multipliers over  $\mathbb{F}_{2^k}$ . The core algorithm is based on word-level unrolling of a Moore machine, which applies concepts from the word-level FSM traversal algorithm. As a result, transition relations are represented as a polynomial with word-level inputs/outputs. We implement our algorithm with both the SINGULAR platform and a custom C++ toolset and perform experiments on two classes of circuits. Our approach is able to verify up to 162-bit sequential circuits, whereas contemporary techniques fail beyond 23-bit datapaths.

At last we explore abstraction UNSAT cores in algebraic geometry – the foundation for refinement techniques to boost sequential circuit verification. We use the Weak Nullstellensatz as the essential theory of UNSAT core extraction, then develop heuristics to improve the core that exploit the structure of the refutation proof. An algorithm was implemented within the SINGULAR computer algebra tool and experiments were conducted to validate the approach.

Our approaches still have limitations: For word-level FSM traversal and sequential GF multiplier verification, our methods are more efficient for XOR-rich circuits, while most industrial de-

signs are AND-OR gate dominant. For UNSAT core extraction, the abstraction refinement approach such as  $k$ -BMC has only limited application on certain model checking problems. To overcome these limitations, the following further explorations are worthy of investigation.

## 8.1 Future Work

In this section, we highlight some research problems that deserve further study.

### 8.1.1 Multivariate Polynomial Ideal Based FSM Traversal

In Chapter 5, we always use a single word-level variable  $T$  to denote the next state. However, in some situations we need to keep recording the relations between  $T$  and the inputs, *e.g.* the reached states contain multivariate polynomials in  $T$ , as well as PS variable  $S$  and PI  $x$ . While the elimination and set union/intersection are compatible with multivariate polynomials, the set complement requires an extension of Theorem 5.2 on ideals with multivariate polynomial generators. We conjecture as follows:

**Conjecture 8.1.** *Assume we are given ring variables  $x_i$ , and an ideal  $J$  composed by  $s$  generators:  $J = \langle f_1, \dots, f_s \rangle$ . Additionally  $J_0$  is the vanishing polynomial for variables  $x_i$ :  $x_i^q - x_i$  where  $q$  is the size of signal  $x_i$  represents. We conjecture that*

$$V(J') = V(J_0 : J) = V(J_0) \setminus V(J) = \overline{V(J)}$$

In univariate case,  $\mathbb{F}[x]$  is the principle ideal domain thus Theorem 5.2 can be proved. However over multivariate case, the proof of this conjecture is not available.

The following example illustrates a different operation from Example 5.5.

**Example 8.1.** *In Figure 5.4, we denote that  $\{s_0, s_1\}$  are state/pseudo inputs,  $\{t_0, t_1\}$  are state/pseudo outputs, and there is a primary input (1-bit)  $x$ . We propose a new algorithm (Algorithm 12) by modifying Algorithm 6.*

*The inputs of this algorithm include the transition polynomial (result of word-level abstraction) and initial states description ideal, which contains 2 generators corresponding to constraints of PI and combinational input  $S$ . For example,  $\langle S + 1 + \alpha, x^2 + x \rangle$  means initial state =  $\{11\}$ ,  $\langle S + x \cdot \alpha, x^2 + x \rangle$  means initial states =  $\{00, 10\}$ .*

*Transition polynomial calculation uses the abstraction and bit-to-word conversion method from Chapter 5. After Constructing an elimination ideal, we impose RATO such that reverse topo order*

---

**Algorithm 12:** Algebraic Geometry based Traversal Algorithm (multivariate-generator ideals)
 

---

**Input:** Transition polynomial  $f_t = T + \mathcal{F}(S, x)$ , initial state ideal  
 $from^0 = \langle S + \mathcal{G}(x), x^{q_1} - x \rangle$

**Output:** Reachable states

- 1  $reached = from^0(T \setminus S)$ ;
- 2 **repeat**
- 3    $i \leftarrow i + 1$ ;
- 4    $to^i \leftarrow \text{GB}(\langle f_t, from^{i-1} \rangle \setminus \mathcal{H}(S))$ ;
- 5    $\overline{reached} = \langle T^{q_2} - T, x^{q_1} - x \rangle : reached$ ;
- 6    $new^i \leftarrow \text{GB}(to^i + \overline{reached})$ ;
- 7    $reached \leftarrow \text{GB}(reached \cdot new^i)$ ;
- 8    $from^i \leftarrow new^i(S \setminus T)$ ;
- 9 **until**  $GB(new^i) == 1$ ;
- 10 **return**  $reached$

---

ckt variables  $> T > S > x$ , the reduction remainder has the form  $T + \mathcal{F}(s_0, s_1, x)$ . According to the bit-to-word correspondence  $S + s_0 + s_1\alpha$  we get

$$s_0 = \alpha S^2 + (1 + \alpha)S, s_1 = S^2 + S$$

After substitution, we obtain the transition polynomial of example circuit:

$$f_T = T + S^3 \cdot x + \alpha S^3 + (1 + \alpha)S^2 \cdot x + S^2 + S \cdot x + (1 + \alpha)x + 1$$

Assume the initial state is  $\{11\}$ . In the first iteration, the reached state is  $\{01\}$ . Line 4 is to compose an ideal with 2 generators from  $from^0$  and transition polynomial  $f_t$ , compute its Gröbner basis. Note this ideal has the form

$$I_{tran} = \begin{cases} T + \mathcal{F}(S, x) \\ S + \mathcal{G}(x) \\ v_x \end{cases} \quad (8.1)$$

$v_x$  is a polynomial containing only  $q_1$ -bit PI  $x$ , initially it should be vanishing polynomial  $x^{q_1} - x$ , with the program executing it may be factorized.

Considering Buchberger's algorithm, all generators' leading terms are relatively prime, so  $I_{tran}$  is a GB itself. Furthermore, generator  $S + \mathcal{G}(x)$  could (possibly) be reduced by  $v_x$ , and  $T + \mathcal{F}(S, x)$  will definitely be reduced by  $S + \mathcal{G}(x)$ . In the end we obtain a polynomial  $T + \mathcal{F}'(x)$  in the reduced GB. We can then include this polynomial and  $v_x$  and exclude the polynomial containing  $S$  (i.e.,  $\mathcal{H}(S)$  in Algorithm 12), to compose an ideal representing next states  $to^i$ . In iteration 1, the result is  $to^1 = \langle T + 1, x^2 + x \rangle$

Line 5 is the ideal quotient of universal set and reached states. In the first iteration, the initial state reached is  $\langle T + 1 + \alpha, x^2 + x \rangle$ . The result of ideal quotient is  $\langle T^3 + (1 + \alpha)T^2 + \alpha T, x^2 + x \rangle$  represents  $\{00, 01, 10\}$ .

Line 6 is ideals' sum (intersection of their varieties) and is done by combining all generators from 2 ideals and computing GB. In the first iteration, the result is  $GB(\langle T + 1, T^3 + (1 + \alpha)T^2 + \alpha T, x^2 + x \rangle) = \langle T + 1, x^2 + x \rangle$ , representing  $\{01\}$ .

Line 7 is ideals' product (union of their varieties) and is done by multiplying all pairs of generators from both ideals. For the first iteration it gives the result as  $GB(\langle (T + 1)(T + 1 + \alpha), (T + 1)(x^2 + x), (T + 1 + \alpha)(x^2 + x), (x^4 + x) \rangle) = \langle T^2 + \alpha T + (1 + \alpha), x^2 + x \rangle$ , representing  $\{01, 11\}$ .

The traversal algorithm executes 3 iterations and terminates at the 4th iteration. We list all intermediate results below:

- Iteration 1:  $from^0 = \langle S + 1 + \alpha, x^2 + x \rangle, to^1 = \langle T + 1, x^2 + x \rangle, reached = \langle T^2 + \alpha T + (1 + \alpha), x^2 + x \rangle$
- Iteration 2:  $from^1 = \langle S + 1, x^2 + x \rangle, to^2 = \langle T + \alpha, x^2 + x \rangle, reached = \langle T^3 + 1, x^2 + x \rangle$
- Iteration 3:  $from^2 = \langle S + \alpha, x^2 + x \rangle, to^3 = \langle T + \alpha x, x^2 + x \rangle, reached = \langle T^3 \cdot x + x, T^4 + T, x^2 + x \rangle$
- Iteration 4:  $from^3 = \langle S, x \rangle, to^4 = \langle T + 1, x \rangle, new = \langle 1 \rangle$

The final reachable states are represented by a multivariate polynomial ideal  $\langle T^3 \cdot x + x, T^4 + T, x^2 + x \rangle$ , which denotes  $\{00, 01, 10, 11\}$ .

### 8.1.2 Use of the $F_4$ Algorithm and ZDDs to Accelerate GB Reduction

In Chapters 5 and 6, by using RATO we transform the GB-based computation to that of a multivariate polynomial division. However, this division (reduction) still incurs exponential complexity in the worst case. In a situation where division is to be performed modulo a chain of OR gates, the size of the remainder polynomial will explode. For example, a chain of OR gates can be written as the Boolean function

$$f = ((a \vee b) \vee c) \vee d \quad (8.2)$$

which equals the following polynomial function in  $\mathbb{F}_2$ :

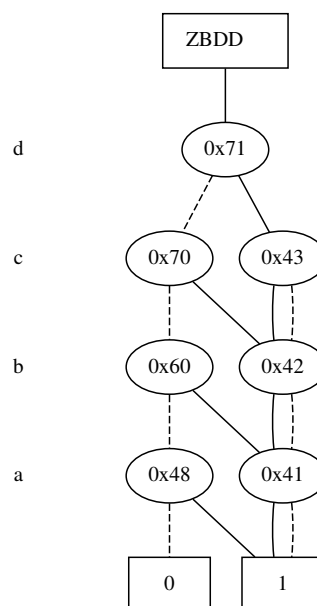
$$f = abcd + abc + abd + ab + acd + ac + ad + a + bcd + bc + bd + b + cd + c + d$$

Notice,  $f$  contains  $2^4 - 1 = 15$  terms, which is exponential in the number of variables. The size explosion is a major factor affecting the efficiency of polynomial division.

One way to further boost the efficiency is to adopt techniques from sparse linear algebra. Analysis of experimental results shows that multivariate polynomial division procedure consumes most of the verification time. A matrix-based technique named as " $F_4$  style reduction" [145] can speed up the procedure of dividing a low-degree polynomial with a term-sparse polynomial ideal.

Another way is to utilize DDs, e.g., ZDDs. ZDDs can represent unate covers of Boolean formulas. We can represent  $f$  using a ZDD, where every path in the ZDD from a root to a terminal corresponds to a monomial term.

Figure 8.1 shows a ZDD representing Equation 8.2 with size  $2 \times 4 - 1 = 7$ , which is linear in the number of variables. The reduction process using ZDDs can be executed as in [138]. The graphical illustration of the remainder in ZDDs is also shown in Figure 8.1.



**Figure 8.1:** A ZDD representing remainder polynomial reducing by a chain of OR gates with order  $d > c > b > a$ .

### 8.1.3 Craig Interpolants in Algebraic Geometry

The concept of Craig Interpolants (CI) and their existence comes from symbolic logic [146]; later, algorithms were presented to find the CI for Boolean formulas [70, 147]. Assume that Boolean formulas are represented in Clause Normal Form (CNF) as  $f = C_1 \wedge C_2 \wedge \dots \wedge C_m$  where: 1) Each clause  $C_i$  is a disjunction (Boolean OR, denoted  $\vee$ ) of literals; 2) Each literal is a Boolean variable  $x_i$  or its complement  $\overline{x_i}$ . The Boolean satisfiability (SAT) problem requires that we find an assignment to the variables such that the formula  $f$  is satisfied (SAT), or otherwise prove that no such assignment exists (UNSAT). A CI is related to an UNSAT formula.

**Definition 8.1.** (From [70]) *Let  $A$  and  $B$  be Boolean formulas given as sets of clauses such that  $A \wedge B$  is unsatisfiable (UNSAT). Then there exists a formula  $P$  such that: 1)  $A$  implies  $P$  (or  $A \subseteq P$ ); 2)  $P \wedge B$  is UNSAT; 3)  $P$  refers to only the common variables of  $A$  and  $B$ . The formula  $P$  represents an **interpolant** of  $A$  and  $B$ .*

*Given the pair  $(A, B)$  and their refutation proof, a procedure called interpolation system constructs an interpolant in linear time and space in the size of the proof [70] [147].*

**Example 8.2.** *Let  $f = (\overline{d})(\overline{c})(\overline{a} \vee d)(a \vee b \vee c)(\overline{b})$  be a CNF formula. Let  $f = A \wedge B = \emptyset$ , where  $A = (\overline{d})(\overline{c})(\overline{a} \vee d)$  and  $B = (a \vee b \vee c)(\overline{b})$ . Then  $P = \overline{a} \wedge \overline{c}$  is an interpolant of  $(A, B)$ .*

CIs are used to derive abstractions to produce overapproximate image operators in model checking [70]. Since  $A \implies P$ ,  $P$  contains  $A$  and is an *abstraction* of  $A$ . It also has fewer variables, so checking invariants on  $P \wedge B$  is easier. The interpolant is derived through a resolution proof of the SAT problem. There can be many interpolants  $P_i$  for a pair  $(A, B)$ ; however, it is not feasible to explore a few or all of these interpolants by means of the resolution proof.

We introduce the algebraic geometry analog of CI. We conjecture that the concept of CI should be related to elimination ideals, so future lines of investigation should focus on Gröbner basis computations with elimination term orders for their computation.

**Definition 8.2.** *Let  $F = \{f_1, \dots, f_s\}$  be a set of polynomials in the ring  $R = \mathbb{F}_q[x_1, \dots, x_n]$ . Let  $F = F_A \cup F_B$  and ideals  $J = \langle F \rangle$ ,  $J_A = \langle F_A \rangle$ ,  $J_B = \langle F_B \rangle$  be corresponding ideals in  $R$  such that  $J = J_A + J_B$ . Let it be known (say, due to application of Weak Nullstellensatz and Gröbner basis) that the varieties  $V_{\mathbb{F}_q}(J) = V_{\mathbb{F}_q}(J_A) \cap V_{\mathbb{F}_q}(J_B) = V_{\mathbb{F}_q}(J_A + J_B) = \emptyset$ . Also, let the set of variables  $X = \{x_1, \dots, x_n\} = X_A \cup X_c \cup X_B$  where  $X_A, X_B$  are the set of variables present exclusively*

in the sets of polynomials  $F_A, F_B$  respectively. Only  $X_C$  is the set of variables that are common to both sets of polynomials  $F_A, F_B$ . Then, there exists a set of polynomials  $F_P$  and ideal  $J_P = \langle F_P \rangle$  such that

- $V_{\mathbb{F}_q}(J_A) \subseteq V_{\mathbb{F}_q}(J_P)$
- $V_{\mathbb{F}_q}(J_P) \cap V_{\mathbb{F}_q}(J_B) = \emptyset$
- Polynomials of  $F_P$  contain the common variables ( $X_C$ ) of  $F_A, F_B$ .

We call the ideal  $J_P = \langle F_P \rangle$  the **algebraic interpolant** of  $J_A + J_B$ .

Existence of algebraic interpolant comes from [146]. The question for exploring is, how do we compute it in algebraic geometry?

**Example 8.3.** Based on Example 8.2, we translated the system over  $\mathbb{F}_2[a, b, c, d]$ . Let  $F_A = \{f_1, f_2, f_3\}$  and  $F_B = \{f_4, f_5\}$  where:  $f_1 : d$ ;  $f_2 : c$ ;  $f_3 : a + da$ ;  $f_4 : abc + ab + ac + bc + a + b + c + 1$ ;  $f_5 : b$ . The Boolean interpolant  $\bar{a} \wedge \bar{c}$  from Example 8.2 translates to  $\mathbb{F}_2$  as the polynomial  $f_p = ac + a + c$ , with its variety  $V(f_p) = \{a = 0, c = 0\}$ .

Algebraic interpolation is strongly related to the GB computation with the elimination order  $X_A > X_B > X_C$ , and this relationship needs to be formally derived.

**Conjecture 8.2.** Computations of algebraic interpolants: Let  $J_0$  denote the ideal of all vanishing polynomials in  $\mathbb{F}_{2^k}[x_1, \dots, x_n]$ .

- Compute a Gröbner basis  $G_1 = GB(J_A + J_0)$  with the elimination order  $X_A > X_B > X_C$ , and select  $F_{P1} = G_1 \cap \mathbb{F}_{2^k}[X_C]$ . We conjecture that the Gröbner basis  $F_{P1}$  of the elimination ideal corresponds to an algebraic interpolant.
- Analogously, compute a Gröbner basis  $G_2 = GB(J_B + J_0)$  with the elimination order  $X_B > X_A > X_C$ , and select  $F_{P2} = G_2 \cap \mathbb{F}_{2^k}[X_C]$ . Find an ideal  $F'_{P2}$  such that the variety  $V(F'_{P2})$  is the complement of the variety  $V(F_{P2})$ . Then the set  $F'_{P2}$  gives another interpolant.

**Example 8.4.** Consider the polynomials  $\{f_1, \dots, f_5\}$  from Example 8.3. Computing  $F_{P1}$  as described in Conjecture 8.2 produces  $F_{P1} = \{a, c\}$ , correctly giving us the desired variety  $V(a = 0, c = 0)$ . Similarly, when we compute  $F_{P2}$ , we find that the interpolant is  $ac + a + c + 1$ . Notice



that the variety  $V(ac + a + c + 1) = \{(0, 1), (1, 0), (1, 1)\}$ , which is exactly the complement of  $V(F_{P1})$ .

The aforementioned experiments in Example 8.4 do not invalidate our conjectures. Moreover, the above experiment shows that there can be multiple ways of computing the interpolants. What can these Gröbner basis computations tell us about the number of valid algebraic interpolants for any given problem? Can they be classified as *weak or strong interpolants* based on the sparsity of the polynomials (power of abstraction)?

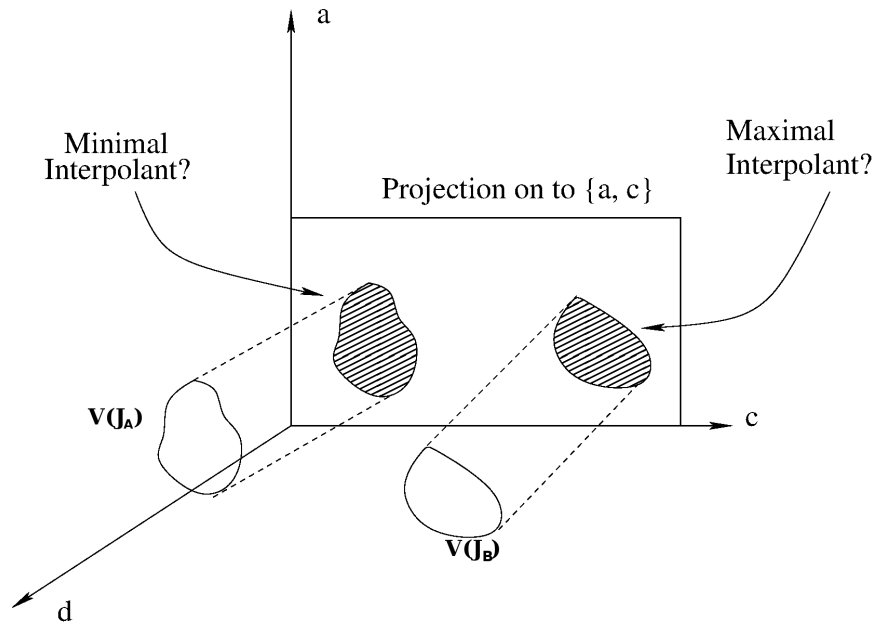
As there can be many interpolants for an ideal-pair  $(J_A, J_B)$ , the following questions should also be investigated in the future:

- Find the minimal interpolant, i.e., find the interpolant  $F_P$  such that  $V(J_P)$  is the smallest variety larger than  $V(J_A)$  such that  $V(J_P) \cap V(J_B) = \emptyset$ .
- Analogously, find the maximal interpolant.
- Over finite fields, the variety of an elimination ideal is exactly equal to the projection of the variety on the remaining variables. Consider Figure 8.2, where variety of the ideals  $J_A, J_B$  are respectively projected on the common variables  $X_C = \{a, c\}$ . Then, does computing  $F_{P1}$  (resp.  $F_{P2}$ ) deliver the minimal (resp. maximal) interpolant?

#### 8.1.4 Technology Mapping for Word-Level Functional Blocks

Technology mapping is an important problem in digital circuit synthesis. Designers are given a library of well-designed functional/macro blocks (including IP cores) and a raw netlist. Technology mapping's objective is to map as many as blocks to the raw netlist and keep the functional equivalence. Contemporary techniques rely on bit-wise analysis on the signals to deduce the boundary of mapped blocks. It is possible to use the equivalence checking techniques proposed in this dissertation as an alternative way to perform technology mapping, especially at word level when given blocks represent word-level functions.

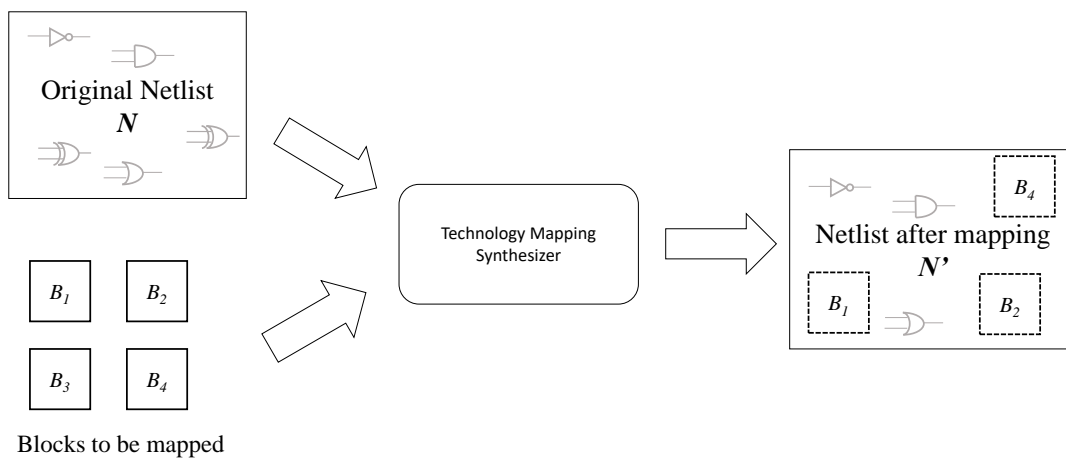
The objective of our approach is to map the macro blocks without boundary information. Mapping is an essential technique used in synthesis and verification. In synthesis, we can map the macro functions with smaller and faster implementations to optimize the timing and area; in simulation, we can map a complicated function to a simple execution to accelerate simulation speed.



**Figure 8.2:** Algebraic interpolant: projection of varieties on common variables.

**Problem Setup 8.1.** Given a gate-level design  $N$  and several word-level macro blocks  $\{B_i\}$ , we need to map macro blocks  $B_i$  into design  $N$ , and write out the mapped design  $N'$  which is equivalent to original design  $D$ . The objective is to generate a mapped design  $N'$  with as many of  $B_i$  such that the area and timing are optimal. The procedure is also illustrated in Figure 8.3.

The following part describes the sketch of our proposed approach based on loop-invariant constraints [148]. First, a transition system is modeled by algebraic assertions, then the *ideal*



**Figure 8.3:** The outline and flow of technology mapping of macro blocks.

*membership test* [19] is applied on the set of assertions to help abstract the loop invariant. We introduce concept *template* from [148] to apply on our proposed approach.

1) **Template and state constraints:** The ideal membership test requires a setup of ideal  $J_{loop}$  for loop invariants. One heuristic that can provide better coverage for loop-invariant abstraction as well as a relatively small size is *generic quadratic form* (GQF).

For example, the GQF of a pair of state variables  $\{x, y\}$  is

$$\mathcal{F} = a_0x^2 + a_1x + a_2xy + a_3y + a_4y^2 + a_5$$

It covers all possible terms with degree no more than 2. Constants  $a_0, a_1, \dots, a_5$  are usually real number parameters, some of their assignments can turn  $\mathcal{F}$  into the desired invariant. This parameterized constraint polynomial covers all combinations of state variables, and is also called a *template*. Subsequently, finding a proper assignment is the essential part of our proposed research.

2) **Initial state constraints:** For initial states, the constraints are explicit. A template is adopted and refined by the Gröbner basis generated by original constraints, by equaling the remainder to 0 we can get constraints on parameters from the template.

An example is shown in the following 3-line algorithm multiplying two natural numbers.

$$\begin{aligned} & \mathbf{integer} \ i, j, s \ \mathbf{where} (s = 0 \wedge j = j_0) \\ & l_0 : \mathbf{while} (\dots) \ \mathbf{do} \\ & \quad l_1 : (s, j) \leftarrow (s + i, j - 1) \end{aligned} \tag{8.3}$$

Its template is the generic quadratic form of  $\{s, i, j, j_0\}$ , which is

$$\begin{aligned} \mathcal{F} = & a_0s^2 + a_1s + a_2si + a_3sj + a_4sj_0 \\ & + a_5i^2 + a_6i + a_7ij + a_8ij_0 + a_9j^2 \\ & + a_{10}j + a_{11}jj_0 + a_{12}j_0^2 + a_{13}j_0 + a_{14} \end{aligned}$$

with parameters  $a_0, \dots, a_{14}$ .

Constraints of initial state  $s = 0 \wedge j = j_0$  can be interpreted as polynomials:

$$\{s, j - j_0\}$$

Since their leading terms are relatively prime, the polynomial set itself constitutes a Gröbner basis

$$G = \{s, j - j_0\}$$

Therefore its ideal can be written as  $J = \langle s, j - j_0 \rangle$ .

In the next step, we reduce the template with the Gröbner basis  $G$ :  $\mathcal{F} \xrightarrow{G}_+ r$ . The remainder equals to

$$r = a_5 i^2 + a_6 i + (a_7 + a_8) i j_0 + (a_9 + a_{11} + a_{12}) j_0^2 + (a_{10} + a_{13}) j_0 + a_{14}$$

Let it equal 0, then each coefficient will generate a constraint. The solution to the system forms the candidate assignment to generate loop invariants.

$$\begin{cases} a_5 = a_6 = a_{14} = 0 \\ a_7 + a_8 = 0 \\ a_9 + a_{11} + a_{12} = 0 \\ a_{10} + a_{13} = 0 \end{cases} \quad (8.4)$$

3) **Modeling state transitions:** A typical state transition starts from the previous state (PS) and ends at next state (NS). Our proposed approach models the 2 states individually, i.e., performs polynomial reduction separately and obtains remainders  $r_1$  and  $r_2$ . Assume a constraint polynomial describing the state transition is  $r_t$ , then we require that when invariant of PS holds and transition  $PS \rightarrow NS$  stands, the invariant of NS should also be satisfied:

$$(r_1 = 0) \wedge (r_t = 0) \implies (r_2 = 0)$$

One reasonable conjecture is

$$r_t = r_1 - \lambda r_2$$

Theoretically  $\lambda$  can be any polynomial in arbitrary rings. To make it practical, in terms of solving the system, we limit  $\lambda$  to the polynomial ring with only real numbers.

Take Equation 8.3 as the example (which refers to Example 10 in [148]). PS is the initial state we just characterized

$$\mathcal{F} = f(s, i, j, j_0)$$

and NS has exactly the same form of constraint:

$$\mathcal{F}' = f(s', i', j', j'_0)$$

Considering the transition relation, we substitute  $s'$  with  $s + i$  and replace  $j'$  with  $j - 1$ ,  $i'$  for  $i$ ,  $j'_0$  for  $j_0$ , respectively. The template for NS is polynomial  $f'$  in Example 10 in [148].

We then perform reduction with the Gröbner basis generated from the transition relation modeling, which is the Gröbner basis of polynomial ideal corresponding to the gates in the circuit

partition. After recording the NS remainder  $r_2$ , by using equality  $r_2 = \lambda r_1$  we get constraints for the parameters. We solve the system using similar algorithm to solve binate-covering problems, which is also described in Section 4 as *elimination by splitting* technique in [148]. One of the branching results is

$$\begin{aligned} a_0, a_2, \dots, a_6, a_9, \dots, a_{14} &= 0 \\ a_1 &= a_7 = -a_8 \end{aligned}$$

The reduced remainder is

$$r_2 = a_1 s + (a_1 - a_7) i + a_7 i j + a_8 i j_0 = a_1 (s + i j - i j_0) = 0$$

Thus the invariant of the program in Equation 8.3 is

$$s = i(j_0 - j)$$

We can verify the invariant by executing the program which calculates  $i \times j_0$ . Initially  $s = 0$ ,  $j_0 - j = 0$ , invariant holds; during each cycle,  $s' = s + i$ ,  $(j'_0 - j') = (j_0 - j) + 1$ , the invariant also holds. In conclusion, this is a loop invariant for program in Equation 8.3.

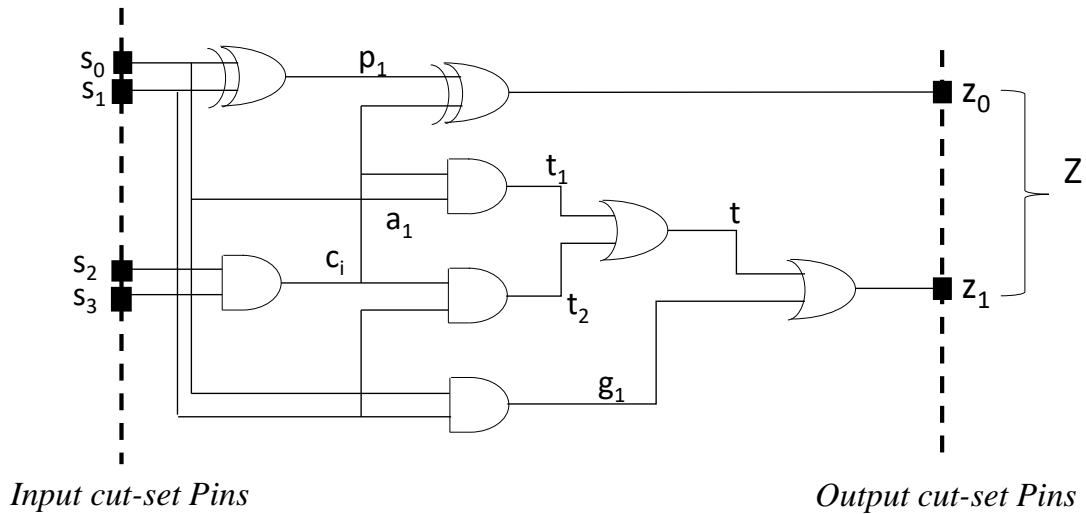
**Our proposed approach on technology mapping:** Our approach is inspired by the concept of templates in [148]. However, we make an improvement on the original approach: instead of using a template polynomial to describe the system, we add some extra templates into the ideal of macro blocks which serve as technology mapping candidates. In this way we can cover all possibilities of boundary cutting (circuit partition).

1) **System abstraction:** The polynomial we use to test ideal membership should include all the information of a circuit partition, which requires us to abstract information from the system and write it into a single polynomial. Usually this polynomial has the following generic form:

$$Z + f(i_1, i_2, \dots, i_n)$$

where  $Z$  is the output. When there is only one output,  $Z$  collapses to a bit-level variable. However, in most cases there are multiple outputs on the cut, indicating  $Z$  as a word-level variable. Boolean function  $\mathcal{F}$  covers all inputs, and  $i_1, i_2, \dots, i_n$  are all bit-level inputs.

Figure 8.4 shows an example circuit partition with  $s_0, s_1, s_2, s_3$  as inputs and  $Z = \{z_0, z_1\}$  as outputs. If we use elements from Galois field  $\mathbb{F}_{2^2}$  to represent word  $Z$ , we have  $Z = z_0 + \alpha \cdot z_1$ .



**Figure 8.4:** An example gate-level netlist of a target sub-circuit to be mapped. “■” denotes a pin, which is the boundary for the mapper.

After imposing ATO of LEX with

*Other circuit variables > output word Z > all cut-set bit level inputs*

on the ideal describing the partitioned circuit as well as the ideal with vanishing polynomials, the reduced Gröbner basis has a single polynomial generator in the form of  $Z + \mathcal{F}(s_0, s_1, s_2, s_3)$ . In this example:

- Term ordering:  $\{z_0, z_1, t, g_1, p_1, ci, t_1, t_2\} > Z > \{s_0, s_1, s_2, s_3\}$
- Gate description:  $z_0 + t + g_1 + t \cdot g_1, t + t_1 + t_2 + t_1 \cdot t_2, g_1 + s_0 \cdot s_1, t_1 + s_0 \cdot ci, t_2 + s_1 \cdot ci, ci + s_2 \cdot s_3, z_1 + p_1 + ci, p_1 + s_0 + s_1$
- Word definition:  $Z + z_0 + z_1 \cdot \alpha$
- Vanishing polynomial ideal ( $J_0$ ):  $z_0^2 + z_0, z_1^2 + z_1, t^2 + t, g_1^2 + g_1, t_1^2 + t_1, t_2^2 + t_2, p_1^2 + p_1, ci^2 + ci, s_2^2 + s_2, s_3^2 + s_3, s_0^2 + s_0, s_1^2 + s_1, Z^4 + Z$  (since Z is a 2-bit word)

The result is a Gröbner basis with single polynomial generator. The polynomial has leading term Z:

$$Z + s_2 \cdot s_3 \cdot s_0 + s_2 \cdot s_3 \cdot s_1 + \alpha \cdot s_2 \cdot s_3 + s_0 \cdot s_1 + \alpha \cdot s_0 + \alpha \cdot s_1$$

## 2) Templates on Boundary Information:

Figure 8.5 shows a 2-bit standard cell. It has 3 outputs ( $t_0, t_1, CO$ ) mapped to 2 output pins ( $z_0, z_1$ ), and 4 inputs ( $a_0, a_1, b_0, b_1$ ) mapped to 3 input pins ( $s_0, s_1, s_2$ , the excessive input *e.g.*  $b_1$  is assigned to fixed 0/1 signal). Dashed connection lines show one possible mapping, to find out this kind of feasible mapping, we need to simulate all possible mappings where the concept "template" can be used.

$$\text{Output template: } z_0 + c_{t_0 z_0} \cdot t_0 + c_{t_1 z_0} \cdot t_1 + c_{z_0 CO} \cdot CO + c_{n_0}$$

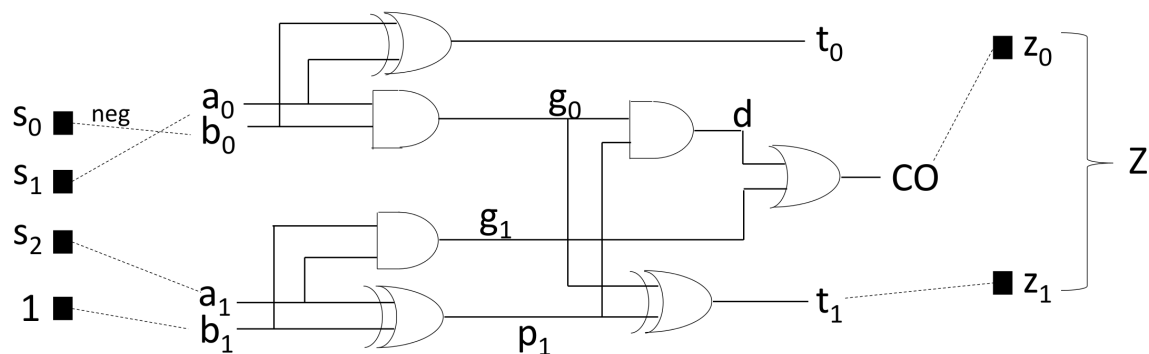
The above polynomial includes all possibilities where  $z_0$  could be mapped to. When  $c_{n_0} = 0$ , then  $\{c_{t_0 z_0}, c_{t_1 z_0}, c_{z_0 CO}\}$  equals 1 denotes a valid mapping to a corresponding output pin. Conversely if  $c_{n_0} = 1$ , the "1" evaluation denotes mapping to negation of corresponding output pin.

$$\text{Input template: } a_0 + c_{s_0 a_0} \cdot s_0 + c_{s_1 a_0} \cdot s_1 + c_{s_2 a_0} \cdot s_2 + p_{a_0}$$

When  $p_{a_0} = 0$ , then  $\{c_{s_0 a_0}, c_{s_1 a_0}, c_{s_2 a_0}\}$  equal to 1 denotes a valid mapping to corresponding input pin. Conversely if every variable in set  $\{c_{s_0 a_0}, c_{s_1 a_0}, c_{s_2 a_0}\}$  equals to 0, it denotes mapping to fixed signal "0" (when  $p_{a_0} = 1$  then mapping to fixed signal "1").

With these settings, we propose an approach to perform technology mapping with boundary information:

- First, choose a cut-set of independent wires in target circuit as input pins;
- Second, propagate forward the cut for a certain number of gates (depth), choose a cut-set which fully depends on these inputs as output pins. Thus we obtain a subcircuit by partitioning;
- Third, abstract a description polynomial  $\mathcal{F}$  of the target subcircuit using GB based abstraction;



**Figure 8.5:** Candidate cell: a standard 2-bit adder with one possible input/output mapping.

- Fourth, reduce the description polynomial  $\mathcal{F}$  with the GB we computed associated to macro block and templates, obtain a remainder polynomial;
- Last, but not the least, abstract all coefficients from the remainder polynomial and set up a system of equations similar to Equation 8.4. If we find a solution to this system, then the solution is a feasible mapping; no solution means we cannot make a feasible mapping.



## APPENDIX A

### NORMAL BASIS THEORY

In Chapter 3 we briefly introduced the concept of normal basis (NB), and the benefits of using NB. In this appendix chapter we describe more details about NB theory by characterizing NB from a linear algebra perspective, constructing a general NB in an arbitrary field, and converting between NB and StdB. All theorems and lemmas refer to the dissertation of Gao [107], and we deduce all the proofs for them.

#### A.1 Characterization of Normal Basis

In order to depict the characterization of NB, we need to introduce some concepts from the domain of linear algebra.

**Definition A.1** (Frobenius Map). *Define map  $\sigma : x \rightarrow x^p$ ,  $x \in \mathbb{F}_{p^n}$ . This map denoting the linear map of field extension  $\mathbb{F}_{p^n}$  over  $\mathbb{F}_p$ .*

Additionally we can define a subspace based on linear map  $T$ :

**Definition A.2.** *A subspace  $W \subset V$  is called  **$T$ -invariant** when*

$$Tu \in W, \quad \forall \text{ vector } u \in W$$

*Subspace  $Z(u, T) = \langle u, Tu, T^2u, \dots \rangle$  is called  **$T$ -cyclic subspace** of  $V$ . If  $Z(u, T) = V$  holds, then  $u$  is called a **cyclic vector** of  $V$  for  $T$ .*

We define the nullspace of a polynomial as:

**Definition A.3** (Nullspace of a polynomial). *For any polynomial  $g(x) \in \mathbb{F}[x]$ , the null space of  $g(T)$  consists of all vectors  $u$  such that  $g(T)u = 0$ .*

Finally we get to the most important concept:  $T$ -Order, which derives the construction of a ring extended by a field requiring a minimal polynomial.

**Definition A.4.** For any vector  $u \in V$ , the monic polynomial  $g(x) \in \mathbb{F}[x]$  with smallest degree such that  $g(T)u = 0$  is called the  **$T$ -Order** of  $u$  or **minimal polynomial** of  $u$ .

Let map  $T = \sigma$ , for an arbitrary element  $u = \theta$  in  $F_{p^n}$ , find least positive integer  $k$  such that  $\sigma^k \theta = \sum_{i=0}^{k-1} c_i \sigma^i \theta$ , then the  $\sigma$ -Order of  $\theta$  can be written as

$$\text{Ord}_{\theta, \sigma}(x) = x^k - \sum_{i=0}^{k-1} c_i x^i$$

Using the concepts introduced above, along with other basic concepts in linear algebra and finite field theory, we can derive the following theorems.

**Lemma A.1.** Given  $g(x) \in \mathbb{F}[x]$  and  $W$  is its nullspace. Let  $d(x) = \gcd(f(x), g(x))$ ,  $e(x) = f(x)/d(x)$ . Then  $\dim(W) = \deg(d(x))$  and  $W = \{e(T)u \mid u \in V\}$ .

**Proof.** Assume  $f(x)$  is the minimal and characteristic polynomial for  $T$ . Then according to Definition A.3 we obtain

$$W = \{u \in V \mid g(T)u = 0\}$$

Let  $k$  be a polynomial whose degree is larger than that of  $f(x)$ , i.e.,  $\deg(k(x)) > \deg(f(x))$ , then

$$f(x) \mid k(x) \text{ iff } k(T) = 0$$

Since the construction of  $f(x)$  relies on  $T$ ,  $f(T) = 0$ , we get

$$\forall u, f(T)u = 0$$

Consider  $W(u, T)$  subsequently relies on  $g(T)$ , we deduce

$$\dim(W) = \deg(d(x))$$

According to the definition of  $W$ , we have

$$\begin{aligned} \forall u, e(T)u \in W &\iff \\ g(T)e(T)u &= g(T) \frac{f(T)}{d(T)} u = h(T) \cdot f(T)u = 0 \end{aligned}$$

■

The  $T$ -Order and corresponding nullspace also affect the factorization of polynomials:

**Lemma A.2** (Factorization of  $f(x)$ ). *Factorization  $f(x) = \prod_{i=1}^r f_i^{d_i}(x)$ , where each  $f_i(x)$  is prime to others. Assume  $V_i$  be nullspace of  $f_i^{d_i}(x)$ , then  $V = V_1 \oplus V_2 \oplus \cdots \oplus V_r$ .*

*Furthermore, we can define a polynomial  $\Psi_i(x) = f(x)/f_i^{d_i}(x)$ , where*

$$\forall u_j \in V_j, u_j \neq 0, \Psi_i(T)u_j \neq 0$$

*only if  $i = j$ .*

**Proof.** We can use Lemma A.1:

$$\gcd(f(x), f_i^{d_i}(x)) = f_i^{d_i}(x), \quad \dim(V_i) = \deg(f_i^{d_i}(x))$$

Which implies

$$\dim(V_i) = \deg\left(\prod_i f_i^{d_i}(x)\right) = \sum_i \dim(V_i) \implies V = \bigoplus_i V_i$$

Assume  $i \neq j$ ,  $\Psi_i(x) = \frac{f(x)}{f_i^{d_i}(x)} = h(x)f_j^{d_j}(x)$ . Then

$$\begin{aligned} \forall u_j \in V_j, f_j(T)u_j = 0 &\implies h(x)f_j^{d_j}(T)u_j = 0 \\ &\implies \Psi_i(x)u_j = 0 \end{aligned}$$

Conversely, if  $i = j$ , then

$$\begin{aligned} \Psi_i(x) &= \frac{f(x)}{f_i^{d_i}(x)} \perp f_i(x) \\ &\implies \Psi_i(x)u_j \neq 0 \end{aligned}$$

■

For a given Frobenius map  $\sigma$ , corresponding minimal polynomial is restricted:

**Lemma A.3.** *The minimal (and characteristic) polynomial for  $\sigma$  is  $x^n - 1$ .*

**Proof.** Consider Fermat's little theorem in  $\mathbb{F}_{p^n}$ . Let  $\beta$  be an element in the field, then

$$\sigma^n \beta = \beta^{p^n} = \beta \implies \sigma^n - I = 0$$

where  $I$  is the identity map. For characteristic polynomial, assume  $\exists f(x) = \sum_i f_i x^i \in \mathbb{F}_p[x]$ , such that the degree of characteristic polynomial is lower than  $n$ :

$$\sum_i f_i \sigma^i = 0 \quad \text{and} \quad \deg(f(x)) < n$$

Then  $\forall \beta \in \mathbb{F}_{p^n}$ ,

$$\left( \sum_i f_i \sigma^i \right) \beta = \sum_i f_i \beta^{p^i} = 0$$

This equation denotes that  $\beta$  is one of  $p^n$  roots of polynomial  $\mathcal{F}(x) = \sum_i f_i(x^{p^i})$ . However, the maximum number of roots allowed equals the degree of  $\mathcal{F}(x)$ , which is  $p^{n-1} < p^n$ , we find a contradiction. Thus we conclude that

$$\text{Both characteristic and minimal polynomial is } x^n - 1$$

■

From the lemmas above we can deduce the following corollary:

**Corollary A.1.** *An element  $\alpha \in \mathbb{F}_{p^n}$  is a normal element if and only if  $\text{Ord}_{\alpha, \sigma}(x) = x^n - 1$ .*

**Proof.** Normal bases require  $\{\beta, \beta^2, \dots, \beta^{2^{n-1}}\}$  to be linearly independent, which is equivalent to the following expression:

$$\forall f(x) \in \mathbb{F}_p[x], \text{deg}(f(x)) < n$$

Furthermore, because there are no annihilators in the  $T$ -Order, this implies that

$$\text{Ord}_{\alpha, \sigma}(x) = x^n - 1$$

■

From corollary above we can deduce another form of criterion of normal element:

**Theorem A.1.** *Given finite field  $\mathbb{F}_{2^n}$ , the field characteristic  $p = 2$ . Define  $t = p^e$  such that  $n = kp^e$ ,  $\text{gcd}(k, p) = 1$ , so  $t = 1$  if  $n$  is an odd integer. Then  $x^n - 1$  can be factorized as*

$$(\varphi_1(x)\varphi_2(x) \cdots \varphi_r(x))^t$$

*Additionally, define  $\Phi_i(x) = (x^n - 1)/\varphi_i(x)$ . We assert that*

*An element  $\alpha \in \mathbb{F}_{p^n}$  is a normal element if and only if  $\Phi_i(\sigma)\alpha \neq 0, i = 1, 2, \dots, r$ .*

**Proof.** Let us analyze the auxiliary polynomial  $\Phi_i(x) = \frac{x^n - 1}{\varphi_i(x)}$  first.

$$\Phi_i(\sigma)\alpha \neq 0 \Leftrightarrow \text{No factor in } x^n - 1 \text{ annihilates } \alpha$$

On the other hand, according to Lemma A.3, it is a known fact that *any annihilator always divide  $x^n - 1$* . As a result, the only possible situation is

$$\text{Ord}_{\alpha, \sigma}(x) = x^n - 1$$

Using Corollary A.1 we deduce that  $\alpha$  is a normal element. ■

The normal element identification can also be described from the nullspace perspective:

**Theorem A.2.** *Let  $W_i$  be the nullspace of  $\varphi_i^t(x)$  and  $\widetilde{W}_i$  the nullspace of  $\varphi_i^{t-1}(x)$ . Let  $\overline{W}_i$  be any subspace of  $W_i$  such that  $W_i = \overline{W}_i \oplus \widetilde{W}_i$ . Then*

$$\mathbb{F}_{p^n} = \sum_{i=1}^r \overline{W}_i \oplus \widetilde{W}_i$$

is a direct sum where  $\dim(\overline{W}_i) = d_i$  and  $\dim(\widetilde{W}_i) = (t-1)d_i$ .

Using above setup we define an element  $\alpha \in \mathbb{F}_{p^n}$  with  $\alpha = \sum_{i=1}^r (\overline{\alpha}_i + \widetilde{\alpha}_i)$ ,  $\overline{\alpha}_i \in \overline{W}_i$ ,  $\widetilde{\alpha}_i \in \widetilde{W}_i$ , as a normal element if and only if  $\overline{\alpha}_i \neq 0$ ,  $\forall i = 1, 2, \dots, r$ .

Ultimately, since there always exist at least one element fulfilling requirements in Theorem A.1 or Theorem A.2, we obtain the following theorem:

**Theorem A.3** (Normal Basis Theorem over Finite Fields). *There always exists a normal basis of  $\mathbb{F}_{p^n}$  over  $\mathbb{F}_p$ .*

## A.2 Construction of General Normal Bases

After proving the existence of normal bases, the upcoming question is how to find such a normal basis/element. For general normal basis identification, there are two methods widely used: Lüneburg's algorithm and Lenstra's algorithm.

### A.2.1 Lüneburg's Algorithm

Lüneburg's algorithm can be described with the following steps:

- 1) Randomly pick an element  $\alpha$  from  $\mathbb{F}_{p^n}$ . For each  $i = 0, 1, \dots, n-1$ , compute  $\sigma$ -Order  $f_i = \text{Ord}_{\alpha^i}(x)$ . Then  $x^n - 1 = \text{lcm}(f_0, f_1, \dots, f_{n-1})$ .
- 2) Apply factor refinement to set  $\{f_0, \dots, f_{n-1}\}$  and obtain  $f_i = \prod_{1 \leq j \leq r} g_j^{e_{ij}}$ ,  $i = 0, 1, \dots, n-1$ .  
We can write the result as an  $i \times j$  matrix.
- 3) For each  $j$ , find an index  $i_j$  (denote as  $i(j)$ ) such that  $e_{i_j j}$  is maximum in the  $j$ -th column.
- 4) Let  $h_j = f_{i(j)} / g_j^{e_{i(j)j}}$ , take  $\beta_j = h_j(\sigma)\alpha^{i(j)}$ . Then

$$\beta = \sum_{j=1}^r \beta_j$$

is a normal element.

Lüneburg's algorithm starts with a random element and ends with a normal element. The justification of its soundness is as follows:

**Proposition A.1.** *Lüneburg's algorithm always generates a normal element over the field  $\mathbb{F}_{p^n}$ .*

**Proof.** First, according to the definition of  $T$ -Order:

$$f_i = \text{Ord}_{\alpha^i} \Leftrightarrow f_i(\sigma)\alpha^i = 0$$

Use Lemma A.3, the minimal/characteristic polynomial for  $\sigma$  is  $x^n - 1$  implies that any annihilator of  $\alpha^i$  (i.e.,  $f_i(\sigma)$ ) divides  $x^n - 1$ . Meanwhile,  $\{\alpha^i \mid 0 < i < n - 1\}$  forms a (standard) basis of field  $\mathbb{F}_{p^n}$ , this means  $\alpha_i$  are linearly independent with each other ( $i = 0, 1, \dots, n - 1$ ). Since linear map  $f(\sigma)$  guarantees that all elements in the field have order  $\text{lcm}(f_0, \dots, f_{n-1})$ , i.e.,  $f(\sigma)\gamma = f(\sigma)(\sum_i \alpha^i) \implies f(\sigma) = \text{lcm}(f_0, \dots, f_{n-1})$ . By contradiction we can prove that there is no factor of  $x^n - 1$  that can be divided by the product of elements in set  $\{f_0, f_1, \dots, f_{n-1}\}$ . This actually corresponds to the assertion in the first step of the algorithm:

$$x^n - 1 = \text{lcm}(f_0, f_1, \dots, f_{n-1})$$

In the second step, after factorization of set  $\{f_i\}$ , we transform  $f_i(\sigma)\alpha^i = 0$  to

$$h_j(\sigma) \cdot g_j^{e_{i(j)j}}(\sigma) \cdot \alpha^{i(j)} = 0$$

Furthermore we have

$$g_j^{e_{i(j)j}}(\sigma)\beta_j = 0 \Leftrightarrow \text{Ord}_{\sigma, \beta_j}(x) = g_j^{e_{i(j)j}}(x)$$

Consider the facts: 1) elements in set  $\{g_j\}$  are relatively prime; 2)  $g_j^{e_{i(j)j}}$  is the maximum factor; 3)  $x^n - 1 = \text{lcm}(f_0, f_1, \dots, f_{n-1})$ , we deduce that

$$x^n - 1 = \prod_j g_j^{e_{i(j)j}}(x) = \prod_j \text{Ord}_{\sigma, \beta_j}(x)$$

As a result

$$x^n - 1 = \text{Ord}_{\sigma, \beta}(x) \implies \beta \text{ is a normal element.}$$

■

### A.2.2 Lenstra's Algorithm

Lüneburg's algorithm is an analytic method, which requires relatively high computational complexity mainly because of the factorization in its second step. To overcome the high cost, an inductive method is proposed, which is Lenstra's algorithm. It allows for setup of heuristics to accelerate the procedure. Before introducing the details of the algorithm, we demonstrate two preliminary lemmas.

**Lemma A.4.** *For an arbitrary element  $\theta \in \mathbb{F}_{p^n}$  that  $\text{Ord}_\theta(x) \neq x^n - 1$ , let  $g(x) = (x^n - 1)/\text{Ord}_\theta(x)$ . There exists another element  $\beta$  such that  $g(\sigma)\beta = \theta$ .*

**Proof.** Assume  $\gamma$  is the desired normal element. From the definition of normal element we derive

$$\exists f(x) \in \mathbb{F}_{p^n}[x], \quad f(\sigma)\gamma = \theta$$

Then using the definition of  $T$ -Order, we derive

$$\text{Ord}_\sigma\theta = 0 \implies (\text{Ord}_\sigma f(\sigma))\gamma = 0$$

Since  $\gamma$  is the normal element,  $\text{Ord}_\gamma(x) = x^n - 1 \implies x^n - 1 \mid (\text{Ord}_\theta(x)f(x))$ . Furthermore,

$$g(x) = \frac{x^n - 1}{\text{Ord}_\theta(x)} \implies x^n - 1 \mid \left( \frac{x^n - 1}{g(x)} \cdot f(x) \right) \implies g(x) \mid f(x)$$

Let  $f(x) = h(x)g(x)$ . Then

$$g(\sigma)(h(\sigma)\gamma) = \theta$$

Therefore,  $\exists \beta$  i.e.,  $g(\sigma)\beta = \theta$ . Concretely,  $\beta = h(\sigma)\gamma$ . ■

**Lemma A.5.** *Define  $\theta$  and  $g(x)$  as in Lemma A.4. Assume there exists a solution  $\beta$  such that  $\deg(\text{Ord}_\beta(x)) \leq \deg(\text{Ord}_\theta(x))$ . Respectively there exists a nonzero element  $\eta$  such that*

$$g(\sigma)\eta = 0$$

and

$$\deg(\text{Ord}_{\theta+\eta}(x)) > \deg(\text{Ord}_\theta(x))$$

**Proof.** Assume  $\gamma$  is the desired normal element. Similarly,

$$\exists \eta = \text{Ord}_\theta(\sigma)\gamma \neq 0, \quad g(\sigma)\eta = 0$$

Follow the setup in Lemma A.4, we have

$$g(\sigma)\beta = \theta, \quad \frac{x^n - 1}{\text{Ord}_\theta(x)} \Big|_\sigma \cdot \beta = \theta$$

Subsequently,

$$\text{Ord}_\theta(x) \cdot \frac{x^n - 1}{\text{Ord}_\theta(x)} \Big|_\sigma \beta = 0 = \text{Ord}_\beta(x)\beta$$

which implies

$$\text{Ord}_\theta(x) \mid \text{Ord}_\beta(x), \quad \text{deg}(\text{Ord}_\theta(x)) \leq \text{deg}(\text{Ord}_\beta(x))$$

Combining with the assumption in the lemma:  $\text{deg}(\text{Ord}_\beta(x)) \leq \text{deg}(\text{Ord}_\theta(x))$ , we derive

$$\text{deg}(\text{Ord}_\beta(x)) = \text{deg}(\text{Ord}_\theta(x)) \implies \text{Ord}_\theta(x) = \text{Ord}_\beta(x)$$

In the next part we need to prove  $g(x) \perp \text{Ord}_\theta(x)$  by contradiction. Assume  $h(x) = \text{gcd}(g(x), \text{Ord}_\theta(x)) \neq 1$ , and

$$g(\sigma)\beta = a(\sigma)h(\sigma)\beta = \theta, \quad \text{Ord}_\theta(\sigma)\theta = a(\sigma)b(\sigma)h^2(\sigma)\beta$$

However,  $\text{Ord}_\theta(x) = \text{Ord}_\beta(x)$  indicates that  $\text{Ord}_\beta(x)\beta = b(x)h(x)a(x)\beta = 0$ . Thus,  $\text{Ord}_\theta(x) = b(x)$ . This is true if and only if  $h(x) = 1$ . As a result, we assert that

$$g(x) \perp \text{Ord}_\theta(x)$$

Consider  $g(\sigma)\eta = 0 \implies \text{Ord}_\eta(x) \mid g(x)$ . It further implies that

$$\text{Ord}_\theta(x) \perp \text{Ord}_\eta(x) \implies \text{Ord}_{\theta+\eta}(x) = \text{Ord}_\theta(x) \cdot \text{Ord}_\eta(x)$$

Since  $\eta \neq 0$ , we derive the result

$$\text{deg}(\text{Ord}_{\theta+\eta}(x)) > \text{deg}(\text{Ord}_\theta(x))$$

■

Based on Lemmas A.4 and A.5, Lenstra's algorithm is described below:

- 1) Take an arbitrary element  $\theta \in \mathbb{F}_{p^n}$ , determine  $\text{Ord}_\theta(x)$ .
- 2) If  $\text{Ord}_\theta(x) = x^n - 1$  then algorithm terminates and return  $\theta$  as a normal element.



- 3) Otherwise, compute  $g(x) = (x^n - 1)/Ord_\theta(x)$ , and solve  $\beta$  from  $g(\sigma)\beta = \theta$ .
- 4) Determine  $Ord_\beta(x)$ . If  $deg(Ord_\beta(x)) > deg(Ord_\theta(x))$  then replace  $\theta$  by  $\beta$  and go to 2); otherwise if  $deg(Ord_\beta(x)) \leq deg(Ord_\theta(x))$  then find a nonzero element  $\eta$  such that  $g(\sigma)\eta = 0$ , replace  $\theta$  by  $\theta + \eta$  and determine the order of new  $\theta$ , and go to 2).

Lenstra's algorithm is an approximation algorithm in nature. For each iteration  $Ord_\theta(x)$  monotonically increases, so it will finally reach termination condition  $Ord_\theta(x) = x^n - 1$ .

### A.3 Bases Conversion and $\lambda$ -Matrix Construction

Given a normal basis (NB), we can easily convert it to a standard basis (StdB) by reducing  $\alpha^t$  with irreducible polynomial  $p(\alpha)$  since normal element is already given as  $\beta = \alpha^t$ . The reverse conversion requires solving a system of equations. In Example 3.7, the system of equations is as follows:

$$\begin{cases} \alpha = \alpha \\ \alpha^2 = \alpha^2 \\ \alpha^4 = \alpha^4 \\ \alpha^8 = \alpha^7 + \alpha^6 + \alpha^4 + \alpha^2 + \alpha + 1 \\ \alpha^{16} = \alpha^7 + \alpha^6 + \alpha^5 + \alpha^3 + \alpha + 1 \\ \alpha^{32} = \alpha^7 + \alpha^4 + \alpha^3 + \alpha^2 + \alpha \\ \alpha^{64} = \alpha^7 + \alpha^6 + \alpha^3 + \alpha^2 \\ \alpha^{128} = \alpha^6 + \alpha^5 + \alpha^4 + \alpha^3 + 1 \end{cases} \quad (\text{A.1})$$

We treat StdB  $\{1, \alpha, \dots, \alpha^7\}$  as unknowns and NB  $\{\alpha, \alpha^2, \dots, \alpha^{128}\}$  as parameters. Then we can obtain a solution to this system denoting mapping from StdB to NB:

$$\begin{cases} 1 = \alpha^{128} + \alpha^{64} + \alpha^{32} + \alpha^{16} + \alpha^8 + \alpha^4 + \alpha^2 + \alpha \\ \alpha = \alpha \\ \alpha^2 = \alpha^2 \\ \alpha^3 = \alpha^{128} + \alpha^{32} + \alpha^{16} + \alpha^2 \\ \alpha^4 = \alpha^4 \\ \alpha^5 = \alpha^{128} + \alpha^{32} + \alpha^8 + \alpha^4 \\ \alpha^6 = \alpha^{64} + \alpha^{32} + \alpha^4 + \alpha \\ \alpha^7 = \alpha^{128} + \alpha^{16} + \alpha^4 + \alpha \end{cases} \quad (\text{A.2})$$

Directly constructing  $\lambda$ -Matrix is difficult for general NBs. In Section 3.3, we introduced the concept of a multiplication table (M-table) and explained how its entries are transformed from the

0-th  $\lambda$ -Matrix. Recall the M-table is defined as

$$\beta \begin{bmatrix} \beta \\ \beta^2 \\ \beta^{2^2} \\ \vdots \\ \beta^{2^{n-1}} \end{bmatrix} = \mathbf{T} \begin{bmatrix} \beta \\ \beta^2 \\ \beta^{2^2} \\ \vdots \\ \beta^{2^{n-1}} \end{bmatrix} \quad (\text{A.3})$$

Therefore we can compute M-table and then convert it to  $\lambda$ -Matrix. Using Equation A.3, we derive entry  $T_{i,j}$  in the M-table by equating it to the  $j$ -th bit of the NB representation of element  $\beta \cdot \beta^{2^i}$ . For example, the  $i$ -th row of the M-table for NB in Example 3.7 satisfies

$$\beta \cdot \beta^{2^i} = \sum_{j=0}^7 T_{i,j} \beta^{2^j}$$

Thus, the M-table can be written as

$$T = \begin{pmatrix} 0 & 1 & 0 & 0 & 0 & 0 & 0 & 1 \\ 0 & 1 & 0 & 0 & 1 & 1 & 0 & 1 \\ 0 & 0 & 1 & 0 & 0 & 1 & 0 & 1 \\ 0 & 0 & 0 & 0 & 0 & 0 & 0 & 1 \\ 1 & 1 & 1 & 1 & 1 & 1 & 1 & 1 \\ 0 & 0 & 0 & 0 & 1 & 0 & 0 & 0 \\ 1 & 1 & 0 & 1 & 0 & 1 & 0 & 0 \\ 1 & 0 & 0 & 1 & 1 & 0 & 1 & 0 \end{pmatrix}$$

Using equation  $M_{i,j}^{(0)} = T_{j-i,-i}$ , we can obtain the  $\lambda$ -Matrix in Equation 3.7.

Actually we can mathematically prove the relationship between them:

**Theorem A.4.** *M-table  $T$  is a conjugate of the  $\lambda$ -Matrix  $M$ . In other words, Equation  $M_{i,j}^{(0)} = T_{j-i,-i}$  holds as the relation between their entries.*

**Proof.** Recall the definition of  $\lambda$ -Matrix over field  $\mathbb{F}_{2^k}$ :

$$C = A \times B = \left( \sum_i a_i \beta^{2^i} \right) \left( \sum_j b_j \beta^{2^j} \right) = \sum_i \sum_j a_i b_j \beta^{2^i} \beta^{2^j}$$

Then there always exist  $\lambda_{ij}^{(l)}$ , such that

$$\beta^{2^i} \beta^{2^j} = \sum_l \lambda_{ij}^{(l)} \beta^{2^l}$$

We call it the cross-product term. The  $l$ -th bit of the product  $C$  is

$$c_l = \sum_i \sum_j a_i b_j \lambda_{ij}^{(l)}$$

For the sake of simplification, we let  $i = 0$ , thus

$$\beta \cdot \beta^{2^j} = \sum_l \lambda_{0j}^{(l)} \beta^{2^l}$$

Since the multiplication table is defined as

$$\beta \begin{bmatrix} \beta \\ \beta^2 \\ \beta^{2^2} \\ \vdots \\ \beta^{2^{n-1}} \end{bmatrix} = \mathbf{T} \begin{bmatrix} \beta \\ \beta^2 \\ \beta^{2^2} \\ \vdots \\ \beta^{2^{n-1}} \end{bmatrix} \quad (\text{A.4})$$

The  $j$ -th row of  $T$  can be written as

$$\begin{aligned} \beta \cdot \beta^{2^j} &= \sum_l \lambda_{0j}^{(l)} \beta^{2^l} && (\text{M-table definition}) \\ &= \sum_l \lambda_{jl}^{(0)} \beta^{2^l} && (\text{cross-product term}) \end{aligned} \quad (\text{A.5})$$

Notice that  $\lambda$  corresponds to  $\lambda$ -Matrix entries. In Equation A.5 we assign 0 to the row index  $i$ , the proof can be extended to all row indices  $i < n$  but fix  $l$  to 0 because of the conjugation generated by right-down cyclic-shift of  $\lambda$ -Matrix. Therefore we have

$$M_{i,j}^{(0)} = \lambda_{ij}^{(0)} = \lambda_{j,0}^{(i)} = T_{j-i,0-i}$$

■

## APPENDIX B

### OPTIMAL NORMAL BASIS

The number of nonzero entries in  $\lambda$ -Matrix or multiplication table (M-table) is known as *Complexity* ( $C_N$ ). To define optimal normal basis, it is necessary to find the lower bound of  $C_N$ .

**Theorem B.1.** *If  $\mathcal{N}$  is a normal basis over  $\mathbb{F}_{p^n}$  with  $\lambda$ -Matrix  $M^{(k)}$ , then nonzero entries in matrix  $C_N \geq 2n - 1$ .*

**Proof.** Let basis  $\mathcal{N} = \{\beta, \beta^p, \beta^{p^2}, \dots, \beta^{p^{n-1}}\}$ , let us denote  $\beta^{p^i}$  by  $\beta_i$  for the sake of simplification. Then  $\sum_{i=0}^{n-1} \beta_i = \text{trace } \beta$ . Denote  $\text{trace } \beta$  by  $b$ , consider a  $n \times n$  matrix  $M^{(0)}$ . Then

$$b\beta_0 = \sum_{i=0}^{n-1} \beta\beta_i$$

Therefore, the sum of all rows in  $M^{(0)}$  is an  $n$ -tuple with  $b$  as the first element and zeros elsewhere. So the first column always includes at least one nonzero element. Since the sum of entries in each of the other columns should equal zero (modulo 2), they need to include an even number of “1”s. Meanwhile, in order to maintain the linear independence among each row, they cannot be all “0”s. Therefore, there are always at least two nonzero elements in each column.

As a result,  $C_N \geq 2(n - 1) + 1 = 2n - 1$ . ■

If there exists a set of normal basis satisfying  $C_N = 2n - 1$ , this normal basis is named as *Optimal Normal Basis* (ONB).

**Example B.1.** *In  $\mathbb{F}_{2^4}$  constructed with  $p(\alpha) = \alpha^4 + \alpha + 1$ , two normal bases can be found:  $\beta = \alpha^3, \mathcal{N}_1 = \{\alpha^3, \alpha^6, \alpha^{12}, \alpha^9\}$  and  $\beta = \alpha^7, \mathcal{N}_2 = \{\alpha^7, \alpha^{14}, \alpha^{13}, \alpha^{11}\}$ . Their multiplication tables are listed below. For basis  $\mathcal{N}_1$ :*

$$T_1 = \begin{pmatrix} 0 & 1 & 0 & 0 \\ 0 & 0 & 0 & 1 \\ 1 & 1 & 1 & 1 \\ 0 & 0 & 1 & 0 \end{pmatrix} \tag{B.1}$$

*Complexity  $C_N = 7$ , so  $\mathcal{N}_1$  is an ONB. For basis  $\mathcal{N}_2$ :*

$$T_2 = \begin{pmatrix} 0 & 1 & 0 & 0 \\ 1 & 1 & 0 & 1 \\ 1 & 0 & 1 & 0 \\ 1 & 0 & 1 & 1 \end{pmatrix} \quad (\text{B.2})$$

Complexity  $C_N = 9$ , so basis  $\mathcal{N}_2$  is not optimal.

ONBs are widely used in finite field circuit design, not only because of its low complexity, but also because of the convenience to construct the  $\lambda$ -Matrix and M-table for them. To explain the convenience and the reason behind it, we introduce two types of ONBs and the method to construct them. The following section refers to [149].

## B.1 Construction of Optimal Normal Basis

**Type-I ONB** over  $F_{2^n}$  satisfies following criteria:

- $n + 1$  must be prime.
- 2 must be primitive in  $\mathbb{Z}_{n+1}$ .

The second criterion indicates that powers of 2 (exponent from 0 to  $n - 1$ ) modulo  $n + 1$  must cover all integers from 1 to  $n$ .

In the following, we derive a simple way to construct the  $\lambda$ -Matrix of type-I ONB from the criteria above. Assume  $\lambda_{ij}^{(k)}$  is the entry with coordinate  $(i, j)$  from  $k$ -th  $\lambda$ -Matrix. Then the crossproduct term can be written as

$$\beta^{2^i} \beta^{2^j} = \sum_{k=0}^{n-1} \lambda_{ij}^{(k)} \beta^{2^k} \quad (\text{B.3})$$

Suppose we only care about  $k = 0$ . So simplified to following equations:

$$\begin{cases} \beta^{2^i} \beta^{2^j} = \beta \\ \beta^{2^i} \beta^{2^j} = 1 \quad (\text{if } 2^i = 2^j \pmod{n+1}) \end{cases}$$

Solution  $(i, j)$  implies location of entries that equal “1” in  $\lambda$ -Matrix. Let  $\beta$  be an optimal normal element,  $\{\beta^{2^i} \mid 0 \leq i < n\}$  cover all powers of  $\beta$  and generates the basis. Thus by solving

$$\begin{cases} 2^i + 2^j = 1 \pmod{n+1} \\ 2^i + 2^j = 0 \pmod{n+1} \end{cases}$$

we obtain  $\lambda$ -Matrix  $M^{(0)}$ . This construction method does not require information about primitive polynomial or normal element, so it is very convenient for circuit designers. Basis  $\mathcal{N}_1$  in Example B.1 is a type-I ONB over  $\mathbb{F}_{2^4}$ .

**Type-II ONB** over  $\mathbb{F}_{2^n}$  satisfies following criteria:

- $2n + 1$  must be prime. And either
- 2 is primitive in  $\mathbb{Z}_{2n+1}$ , or
- $2n + 1 = 3 \pmod{4}$  and 2 generates the quadratic residues in  $\mathbb{Z}_{2n+1}$

The last criterion means that that  $2n + 1$  should be congruent to 1 or 3 modulo 4. To generate a Type-II ONB, we first pick an element  $\gamma$  with order  $2n + 1$  in  $\mathbb{F}_{2^{2n}}$ , such that the corresponding normal element  $\beta$  from  $F_{2^n}$  can be written as  $\beta = \gamma + \gamma^{-1}$ . Thus the cross-product terms will be:

$$\begin{aligned} \beta^{2^i} \beta^{2^j} &= (\gamma^{2^i} + \gamma^{-2^i})(\gamma^{2^j} + \gamma^{-2^j}) \\ &= (\gamma^{2^i+2^j} + \gamma^{-(2^i+2^j)}) + (\gamma^{2^i-2^j} + \gamma^{-(2^i-2^j)}) \\ &= \begin{cases} \beta^{2^k} + \beta^{2^{k'}} & \text{if } 2^i \neq 2^j \pmod{2n+1} \\ \beta^{2^k} & \text{if } 2^i = 2^j \pmod{2n+1} \end{cases} \end{aligned} \quad (\text{B.4})$$

$k$  and  $k'$  are the 2 possible solutions to multiplication of any 2 basis elements. This guarantees the optimum of the basis since it has the minimum number of possible terms. In the case of  $2^i \neq 2^j \pmod{2n+1}$ , at least one of following equations

$$\begin{cases} 2^i + 2^j = 2^k \pmod{2n+1} \\ 2^i + 2^j = -2^k \pmod{2n+1} \end{cases} \quad (\text{B.5})$$

has a solution, meanwhile at least one of following equations

$$\begin{cases} 2^i - 2^j = 2^{k'} \pmod{2n+1} \\ 2^i - 2^j = -2^{k'} \pmod{2n+1} \end{cases} \quad (\text{B.6})$$

has a solution as well.

In another case that  $2^i = \pm 2^j \pmod{2n+1}$ , at least one of the following 4 equations has a solution

$$\begin{cases} 2^i + 2^j = 2^k \pmod{2n+1} \\ 2^i + 2^j = -2^k \pmod{2n+1} \\ 2^i - 2^j = 2^k \pmod{2n+1} \\ 2^i - 2^j = -2^k \pmod{2n+1} \end{cases} \quad (\text{B.7})$$

In set of Equations B.5 and B.6, there are two possible solutions in total. In set of Equations B.7, there is only one possible solution. Since these equations are all similar, instead of working with

two different sets we can combine them together and solve a system of 4 equations. As a result, to construct the  $\lambda$ -Matrix  $M^{(0)}$ , we set  $k = 0$  and find solutions to:

$$\begin{cases} 2^i + 2^j = 1 & (\text{mod } 2n + 1) \\ 2^i + 2^j = -1 & (\text{mod } 2n + 1) \\ 2^i - 2^j = 1 & (\text{mod } 2n + 1) \\ 2^i - 2^j = -1 & (\text{mod } 2n + 1) \end{cases} \quad (\text{B.8})$$

**Example B.2.** By solving the system of Equations B.8 with  $n = 5$ , we find 9 pairs of indices  $(i, j)$  such that  $0 \leq i, j < 5$ . Assign "1" to corresponding entries in a  $5 \times 5$  matrix, the result is  $M^{(0)}$  for type-II ONB over  $\mathbb{F}_{2^5}$ :

$$M^{(0)} = \begin{pmatrix} 0 & 1 & 0 & 0 & 0 \\ 1 & 0 & 0 & 1 & 0 \\ 0 & 0 & 0 & 1 & 1 \\ 0 & 1 & 1 & 0 & 0 \\ 0 & 0 & 1 & 0 & 1 \end{pmatrix} \quad (\text{B.9})$$

## B.2 Optimal Normal Basis Multiplier Design

Designers can easily generate the  $\lambda$ -Matrix for GF multipliers, which is sufficient to derive the structure of the circuit. However, our GB based approach requires specifying the exact normal element  $\beta$ , i.e., it is necessary to obtain  $t$  as  $\beta = \alpha^t$  before executing our technique. Lüneburg's algorithm and Lenstra's algorithm do not guarantee the output normal element is the optimal normal element, and usually result in high computation cost. Actually if the type of ONB within the design is known, instead of looking up the optimal normal element, we can construct a special irreducible  $p(\alpha)$  such that the optimal normal element is equal to the primitive element:  $\beta = \alpha$ . The concepts and algorithms refer to IEEE standard 1363-2000 [150].

For type-I ONB over  $\mathbb{F}_{2^k}$ , the irreducible polynomial is

$$p(\alpha) = \alpha^k + \alpha^{k-1} + \cdots + \alpha + 1 = \sum_{i=0}^k \alpha^i$$

For type-II ONB, the following iterative algorithm is required to generate the desired irreducible polynomial:

---

**Algorithm 13:** Generating irreducible polynomial for type-II ONB over  $\mathbb{F}_{2^k}$ 

---

**Input:** Field  $\mathbb{F}_{2^k}$  which contains a type-II ONB**Output:** The irreducible polynomial  $p(\alpha)$  for the ONB

```
1  $f(\alpha) \leftarrow 1$ ;  
2  $p(\alpha) \leftarrow \alpha + 1$ ;  
3 for  $i = 1 \dots k - 1$  do  
4    $g(\alpha) \leftarrow f(\alpha)$ ;  
5    $f(\alpha) \leftarrow p(\alpha)$ ;  
6    $p(\alpha) \leftarrow \alpha f(\alpha) + g(\alpha)$ ;  
7 end  
8 return  $p(\alpha)$ 
```

---



## REFERENCES

- [1] Thomas R. Nicely, “Pentium FDIV Flaw”, <http://www.trnicely.net/pentbug/pentbug.html>.
- [2] Z. Manna and A. Pnueli, *The Temporal Logic of Reactive and Concurrent Systems*, Springer-Verlag, First edition, 1991.
- [3] E. Clarke, O. Grumberg, and D. Peled, *The Temporal Logic of Reactive and Concurrent Systems*, The MIT Press, 1999.
- [4] R. E. Bryant, “Graph Based Algorithms for Boolean Function Manipulation”, *IEEE Transactions on Computers*, vol. C-35, pp. 677–691, August 1986.
- [5] Shin-ichi Minato, “Zero-suppressed BDDs for set manipulation in combinatorial problems”, in *Design Automation, 1993. 30th Conference on*, pp. 272–277. IEEE, 1993.
- [6] R. E. Bryant and Y-A. Chen, “Verification of Arithmetic Functions with Binary Moment Diagrams”, in *Proceedings of Design Automation Conference*, pp. 535–541, 1995.
- [7] R. Drechsler, A. Sarabi, M. Theobald, B. Becker, and M.A. Perkowski, “Efficient Representation and Manipulation of Switching Functions based on Ordered Kronecker Functional Decision Diagrams”, in *Design Automation Conference*, pp. 415–419, 1994.
- [8] F. Lu, L. Wang, K. Cheng, and R. Huang, “A Circuit SAT Solver With Signal Correlation Guided Learning”, in *IEEE Design, Automation and Test in Europe*, pp. 892–897, 2003.
- [9] Alan Mishchenko, Satrajit Chatterjee, Robert Brayton, and Niklas Een, “Improvements to combinational equivalence checking”, in *2006 IEEE/ACM International Conference on Computer Aided Design*, pp. 836–843. IEEE, 2006.
- [10] Per Bjesse and Koen Claessen, “SAT-based verification without state space traversal”, in *Formal Methods in Computer-Aided Design*, pp. 409–426. Springer, 2000.
- [11] Dominik Stoffel and Wolfgang Kunz, “Record & play: A structural fixed point iteration for sequential circuit verification”, in *Proceedings of the 1997 IEEE/ACM international conference on Computer-aided design*, pp. 394–399. IEEE Computer Society, 1997.
- [12] G. Avrunin, “Symbolic Model Checking using Algebraic Geometry”, in *Computer Aided Verification Conference*, pp. 26–37, 1996.
- [13] C. Condrat and P. Kalla, “A Gröbner Basis Approach to CNF formulae Preprocessing”, in *International Conference on Tools and Algorithms for the Construction and Analysis of Systems*, pp. 618–631, 2007.
- [14] Yuki Watanabe, Naofumi Homma, Takafumi Aoki, and Tatsuo Higuchi, “Application of Symbolic Computer Algebra to Arithmetic Circuit Verification”, in *IEEE International Conference on Computer Design*, pp. 25–32, October 2007.

- [15] Jinpeng Lv, Priyank Kalla, and Florian Enescu, “Efficient Gröbner basis reductions for formal verification of Galois field arithmetic circuits”, *Computer-Aided Design of Integrated Circuits and Systems, IEEE Transactions on*, vol. 32, pp. 1409–1420, 2013.
- [16] T. Pruss, P. Kalla, and F. Enescu, “Efficient Symbolic Computation for Word-Level Abstraction from Combinational Circuits for Verification over Galois Fields”, *IEEE Transactions on CAD (in review)*, 2016.
- [17] W. W. Adams and P. Lousstaunau, *An Introduction to Gröbner Bases*, American Mathematical Society, 1994.
- [18] T. Dubé, Bud Mishra, and Chee-Keng Yap, “Complexity of Buchberger’s algorithm for Gröbner bases”, *Extended Abstract, New York University, New York*, 1986.
- [19] J. Lv, *Scalable Formal Verification of Finite Field Arithmetic Circuits using Computer Algebra Techniques*, PhD thesis, Univ. of Utah, Aug. 2012.
- [20] T. Pruss, *Word Level Abstraction from Combinational Circuits using Algebraic Geometry*, PhD thesis, Univ. of Utah, May. 2015.
- [21] H. Jain, D. Kroening, N. Sharygina, and E. Clarke, “Word Level Predicate Abstraction and Refinement Techniques for Verifying Rtl Verilog”, in *Design Automation Conf.*, 2005.
- [22] S. Horeth and Drechsler, “Formal Verification of Word-Level Specifications”, in *IEEE Design, Automation and Test in Europe*, pp. 52–58, 1999.
- [23] L. Arditi, “\*BMDs can Delay the use of Theorem Proving for Verifying Arithmetic Assembly Instructions”, in Srivas, editor, *In Proc. Formal methods in CAD*. Springer-Verlag, 1996.
- [24] Z. Zeng, P. Kalla, and M. J. Ciesielski, “LPSAT: A Unified Approach to RTL Satisfiability”, in *Proc. DATE*, 2001.
- [25] R. Brummayer and A. Biere, “Boolector: An Efficient SMT Solver for Bit-Vectors and Arrays”, in *TACAS 09, Volume 5505 of LNCS*. Springer, 2009.
- [26] R. Brant, D. Kroening, and *et al.*, “Deciding Bit-Vector Arithmetic with Abstraction”, in *Proc. TACAS*, pp. 358–372, 2007.
- [27] D. Babic and M. Musuvathi, “Modular Arithmetic Decision Procedure”, Technical Report TR-2005-114, Microsoft Research, 2005.
- [28] N. Tew, P. Kalla, N. Shekhar, and S. Gopalakrishnan, “Verification of Arithmetic Datapaths using Polynomial Function Models and Congruence Solving”, in *Proc. Intl. Conf. on Computer-Aided Design (ICCAD)*, pp. 122–128, 2008.
- [29] J. Smith and G. DeMicheli, “Polynomial methods for component matching and verification”, in *Proceedings of the IEEE/ACM International Conference on Computer-Aided Design*, 1998.
- [30] J. Smith and G. DeMicheli, “Polynomial Methods for Allocating Complex Components”, in *IEEE Design, Automation and Test in Europe*, 1999.

- [31] A. Peymandoust and G. DeMicheli, “Application of Symbolic Computer Algebra in High-Level Data-Flow Synthesis”, *IEEE Transactions CAD*, vol. 22, pp. 1154–11656, 2003.
- [32] Bryan A Brady, Randal E Bryant, Sanjit A Seshia, and John W O’Leary, “ATLAS: automatic term-level abstraction of RTL designs”, in *Formal Methods and Models for Codesign (MEMOCODE), 2010 8th IEEE/ACM International Conference on*, pp. 31–40. IEEE, 2010.
- [33] E Clarke A Biere, A Cimatti and Y Yhu, “Symbolic model checking without bdds”, in *International Conference on Tools and Algorithms for the Construction and Analysis of Systems*, p. 193207, 1999.
- [34] Edmund Clarke, Orna Grumberg, Somesh Jha, Yuan Lu, and Helmut Veith, “Counterexample-guided abstraction refinement for symbolic model checking”, *Journal of the ACM (JACM)*, vol. 50, pp. 752–794, 2003.
- [35] Aaron R Bradley, “SAT-based model checking without unrolling”, in *Verification, Model Checking, and Abstract Interpretation*, pp. 70–87. Springer, 2011.
- [36] Himanshu Jain, Daniel Kroening, Natasha Sharygina, and Edmund Clarke, “Word level predicate abstraction and refinement for verifying RTL verilog”, in *Proceedings of the 42nd annual Design Automation Conference*, pp. 445–450. ACM, 2005.
- [37] Kenneth L McMillan, “Lazy abstraction with interpolants”, in *International Conference on Computer Aided Verification*, pp. 123–136. Springer, 2006.
- [38] Kenneth L McMillan, “Lazy annotation for program testing and verification”, in *International Conference on Computer Aided Verification*, pp. 104–118. Springer, 2010.
- [39] O. Coudert and J.C. Madre, “A Unified Framework for the Formal Verification of Sequential Circuits”, in *Proceedings of the IEEE/ACM International Conference on Computer-Aided Design*, pp. 126–129, 1990.
- [40] Olivier Coudert, Christian Berthet, and Jean Christophe Madre, “Verification of synchronous sequential machines based on symbolic execution”, in *Automatic verification methods for finite state systems*, pp. 365–373. Springer, 1990.
- [41] Herve J Touati, Hamid Savoj, Bill Lin, Robert K Brayton, and Alberto Sangiovanni-Vincentelli, “Implicit state enumeration of finite state machines using BDDs”, in *Computer-Aided Design, 1990. ICCAD-90. Digest of Technical Papers., 1990 IEEE International Conference on*, pp. 130–133. IEEE, 1990.
- [42] R. Lidl and H. Niederreiter, *Finite Fields*, Cambridge University Press, 1997.
- [43] M. Clegg, J. Edmonds, and R. Impagliazzo, “Using the Gröbner Basis Algorithm to Find Proofs of Unsatisfiability”, in *ACM Symposium on Theory of Computing*, pp. 174–183, 1996.
- [44] Xiaojun Sun, Priyank Kalla, and Florian Enescu, “Word-level traversal of finite state machines using algebraic geometry”, in *High Level Design Validation and Test Workshop (HLDVT), 2016 IEEE International*, pp. 142–149. IEEE, 2016.
- [45] Xiaojun Sun, Priyank Kalla, Tim Pruss, and Florian Enescu, “Formal verification of sequential Galois field arithmetic circuits using algebraic geometry”, in *Design Automation and Test in Europe, DATE 2015. Proceedings.* IEEE/ACM, 2015.

- [46] Xiaojun Sun, Irina Iliaeva, Priyank Kalla, and Florian Enescu, “Finding unsatisfiable cores of a set of polynomials using the Gröbner basis algorithm”, in *International Conference on Principles and Practice of Constraint Programming*, pp. 859–875. Springer, 2016.
- [47] Olivier Coudert and Jean Christophe Madre, “A unified framework for the formal verification of sequential circuits”, in *The Best of ICCAD*, pp. 39–50. Springer, 2003.
- [48] Zurab Khasidashvili, Marcelo Skaba, Daher Kaiss, and Ziyad Hanna, “Theoretical framework for compositional sequential hardware equivalence verification in presence of design constraints”, in *Proceedings of the 2004 IEEE/ACM International conference on Computer-aided design*, pp. 58–65. IEEE Computer Society, 2004.
- [49] Jason Baumgartner, Hari Mony, Viresh Paruthi, Robert Kanzelman, and Geert Janssen, “Scalable sequential equivalence checking across arbitrary design transformations”, in *Computer Design, 2006. ICCD 2006. International Conference on*, pp. 259–266. IEEE, 2007.
- [50] CAJ Van Eijk, “Sequential equivalence checking without state space traversal”, in *Design, Automation and Test in Europe, 1998., Proceedings*, pp. 618–623. IEEE, 1998.
- [51] Hamid Savoj, David Berthelot, Alan Mishchenko, and Robert Brayton, “Combinational techniques for sequential equivalence checking”, in *Formal Methods in Computer-Aided Design (FMCAD), 2010*, pp. 145–149. IEEE, 2010.
- [52] I. Bahar, E. A. Frohm, C. M. Gaona, G. D. Hachtel, E. Macii, A. Pardo, and F. Somenzi, “Algebraic Decision Diagrams and their Applications”, in *Proceedings of the IEEE/ACM International Conference on Computer-Aided Design*, pp. 188–191, Nov. 93.
- [53] E. M. Clarke, K. L. McMillan, X. Zhao, M. Fujita, and J. Yang, “Spectral Transforms for Large Boolean Functions with Applications to Technology Mapping”, in *DAC*, pp. 54–60, 93.
- [54] E. M. Clarke, M. Fujita, and X. Zhao, “Hybrid Decision Diagrams - Overcoming the Limitation of MTBDDs and BMDs”, in *Proceedings of the IEEE/ACM International Conference on Computer-Aided Design*, pp. 159–163, 1995.
- [55] Y-T. Lai, M. Pedram, and S. B. Vrudhula, “FGILP: An ILP Solver based on Function Graphs”, in *ICCAD*, pp. 685–689, 93.
- [56] Shin-ichi Minato, “Calculation of unate cube set algebra using zero-suppressed BDDs”, in *Proceedings of the 31st annual Design Automation Conference*, pp. 420–424. ACM, 1994.
- [57] R. Dreschler, B. Becker, and S. Ruppertz, “The K\*BMD: A Verification Data Structure”, *IEEE Design & Test of Computers*, vol. 14, pp. 51–59, 1997.
- [58] Y. A. Chen and R. E. Bryant, “\*PHDD: An Efficient Graph Representation for Floating Point Verification”, in *Proc. ICCAD*, 1997.
- [59] A. Jabir and Pradhan D., “MODD: A New Decision Diagram and Representation for Multiple Output Binary Functions”, in *IEEE Design, Automation and Test in Europe*, 2004.
- [60] A. Jabir, D. Pradhan, T. Rajaprabhu, and A. Singh, “A Technique for Representing Multiple Output Binary Functions with Applications to Verification and Simulation”, *IEEE Transactions on Computers*, vol. 56, pp. 1133–1145, 2007.

- [61] M. Ciesielski, P. Kalla, and S. Askar, “Taylor Expansion Diagrams: A Canonical Representation for Verification of Data-Flow Designs”, *IEEE Transactions on Computers*, vol. 55, pp. 1188–1201, 2006.
- [62] A. Kuehlmann, V. Paruthi, F. Krohm, and M. K. Ganai, “Robust Boolean Reasoning for Equivalence Checking and Functional Property Verification”, *IEEE Transactions on Computer-Aided Design of Integrated Circuits and Systems*, vol. 21, pp. 1377–1394, Nov. 2006.
- [63] A. Mishchenko, S. Chatterjee, R. Brayton, and N. Een, “Improvements to Combinational Equivalence Checking”, in *Proc. Intl. Conf. on CAD (ICCAD)*, pp. 836–843, 2006.
- [64] L. Erkök, M. Carlsson, and A. Wick, “Hardware/Software Co-verification of Cryptographic Algorithms using Cryptol”, in *Proc. Formal Methods in CAD (FMCAD)*, pp. 188–191, 2009.
- [65] Maciej Ciesielski, Walter Brown, Duo Liu, and André Rossi, “Function extraction from arithmetic bit-level circuits”, in *VLSI (ISVLSI), 2014 IEEE Computer Society Annual Symposium on*, pp. 356–361. IEEE, 2014.
- [66] Amr Sayed-Ahmed, Daniel Gro, Mathias Soeken, and Rolf Drechsler, “Formal verification of integer multipliers by combining Gröbner basis with logic reduction”, in *2016 Design, Automation & Test in Europe Conference & Exhibition (DATE)*, pp. 1048–1053. IEEE, 2016.
- [67] Jerry R Burch, Edmund M Clarke, Kenneth L McMillan, and David L Dill, “Sequential circuit verification using symbolic model checking”, in *Design Automation Conference, 1990. Proceedings., 27th ACM/IEEE*, pp. 46–51. IEEE, 1990.
- [68] Jerry R Burch, Edmund M Clarke, and David E Long, “Representing circuits more efficiently in symbolic model checking”, in *Proceedings of the 28th ACM/IEEE Design Automation Conference*, pp. 403–407. ACM, 1991.
- [69] Armin Biere, Alessandro Cimatti, Edmund M Clarke, Masahiro Fujita, and Yunshan Zhu, “Symbolic model checking using SAT procedures instead of BDDs”, in *Proceedings of the 36th annual ACM/IEEE Design Automation Conference*, pp. 317–320. ACM, 1999.
- [70] Kenneth L McMillan, “Interpolation and SAT-based model checking”, in *Computer Aided Verification*, pp. 1–13. Springer, 2003.
- [71] Edmund Clarke, Orna Grumberg, Somesh Jha, Yuan Lu, and Helmut Veith, “Counterexample-guided abstraction refinement”, in *Computer aided verification*, pp. 154–169. Springer, 2000.
- [72] Liang Zhang, *Design Verification for Sequential Systems at Various Abstraction Levels*, PhD thesis, Citeseer, 2005.
- [73] Aaron R Bradley, Fabio Somenzi, Zyad Hassan, and Yan Zhang, “An incremental approach to model checking progress properties”, in *Formal Methods in Computer-Aided Design (FMCAD), 2011*, pp. 144–153. IEEE, 2011.
- [74] C. Barrett and C. Tinelli, “CVC3”, in *Computer Aided Verification Conference*, pp. 298–302. Springer, July 2007.

- [75] L. Moura and N. Bjørner, “Z3: An Efficient SMT Solver.”, in *International Conference on Tools and Algorithms for the Construction and Analysis of Systems*, vol. 4963. Springer, 2008.
- [76] C. W. Barrett, D. L. Dill, and J. R. Levitt, “A Decision Procedure for bit-Vector Arithmetic”, in *DAC*, June 1998.
- [77] H. Enderton, *A mathematical introduction to logic*, Academic Press New York, 1972.
- [78] T. Bultan and et al, “Verifying systems with integer constraints and boolean predicates: a composite approach”, in *In Proc. Int’l. Symp. on Software Testing and Analysis*, 1998.
- [79] S. Devadas, K. Keutzer, and A. Krishnakumar, “Design verification and reachability analysis using algebraic manipulation”, in *Proc. ICCD*, 91.
- [80] Z. Zhou and W. Burch, “Equivalence Checking of Datapaths Based on Canonical Arithmetic Expressions”, in *DAC*, 95.
- [81] J. Møller, J. Lichtenberg, H. R. Andersen, and H. Hulgaard, “Difference decision diagrams”, in *Computer Science Logic*, The IT University of Copenhagen, Denmark, Sep. 1999.
- [82] Jesper Møller and Jakob Lichtenberg, “Difference decision diagrams”, Master’s thesis, Department of Information Technology, Technical University of Denmark, Building 344, DK-2800 Lyngby, Denmark, Aug. 1998.
- [83] K. Strehl, “Interval Diagrams: Increasing Efficiency of Symbolic Real-Time Verification”, in *Intl. Conf. on Real Time Computing systems and Applications*, 1999.
- [84] P. Sanchez and S. Dey, “Simulation-Based System-Level Verification using Polynomials”, in *High-Level Design Validation & Test Workshop, HLDVT*, 1999.
- [85] G. Ritter, “Formal Verification of Designs with Complex Control by Symbolic Simulation”, in Springer Verlag LNCS, editor, *Advanced Research Working Conf. on Correct Hardware Design and Verification Methods (CHARME)*, 1999.
- [86] F. Fallah, S. Devadas, and K. Keutzer, “Functional Vector Generation for HDL models using Linear Programming and 3-Satisfiability”, in *Proc. DAC*, ’98.
- [87] R. Brinkmann and R. Drechsler, “RTL-Datapath Verification using Integer Linear Programming”, in *Proc. ASP-DAC*, 2002.
- [88] C.-Y. Huang and K.-T. Cheng, “Using Word-Level ATPG and Modular Arithmetic Constraint Solving Techniques for Assertion Property Checking”, *IEEE Trans. CAD*, vol. 20, pp. 381–391, 2001.
- [89] Zaher S Andraus and Karem A Sakallah, “Automatic abstraction and verification of verilog models”, in *Proceedings of the 41st annual Design Automation Conference*, pp. 218–223. ACM, 2004.
- [90] Zaher S Andraus, Mark H Liffiton, and Karem A Sakallah, “Reveal: A formal verification tool for verilog designs”, in *International Conference on Logic for Programming Artificial Intelligence and Reasoning*, pp. 343–352. Springer, 2008.

- [91] S. Sankaranarayanan, H. B. Sipma, and Z. Manna, “Non-linear Loop Invariant Generation using Grobner Bases”, *SIGPLAN Not.*, vol. 39, pp. 318–329, 2004.
- [92] A. Lvov, L. Lastras-Montaño, V. Paruthi, R. Shadowen, and A. El-Zein, “Formal Verification of Error Correcting Circuits using Computational Algebraic Geometry”, in *Proc. Formal Methods in Computer-Aided Design (FMCAD)*, pp. 141–148, 2012.
- [93] J. Lv, P. Kalla, and F. Enescu, “Efficient Grobner Basis Reductions for Formal Verification of Galois Field Arithmetic Circuits”, *IEEE Transactions CAD*, vol. 32, pp. 1409–1420, Sept. 2013.
- [94] T. Pruss, P. Kalla, and F. Enescu, “Equivalence Verification of Large Galois Field Arithmetic Circuits using Word-Level Abstraction via Gröbner Bases”, in *Design Automation Conference*, 2014.
- [95] Alexey Lvov, Luis Alfonso Lastras-Montano, Viresh Paruthi, Robert Shadowen, and Ali El-Zein, “Formal verification of error correcting circuits using computational algebraic geometry”, in *Formal Methods in Computer-Aided Design (FMCAD), 2012*, pp. 141–148. IEEE, 2012.
- [96] Amr Sayed-Ahmed, Daniel Große, Mathias Soeken, and Rolf Drechsler, “Equivalence checking using Gröbner bases”, *Formal Methods in Computer-Aided Design FMCAD 2016*, p. 169, 2016.
- [97] M. Y. Vardi and Q. Tran, “Groebners Bases Computation in Boolean Rings for Symbolic Model Checking”, in *IASTED*, 2007.
- [98] S. Gao, A. Platzer, and E. Clarke, “Quantifier Elimination over Finite Fields with Gröbner Bases”, in *Intl. Conf. Algebraic Informatics*, 2011.
- [99] Robert J. McEliece, *Finite Fields for Computer Scientists and Engineers*, Kluwer Academic Publishers, 1987.
- [100] S. Roman, *Field Theory*, Springer, 2006.
- [101] E. Mastrovito, “VLSI Designs for Multiplication Over Finite Fields  $GF(2^m)$ ”, *Lecture Notes in Computer Science*, vol. 357, pp. 297–309, 1989.
- [102] P. Montgomery, “Modular Multiplication Without Trial Division”, *Mathematics of Computation*, vol. 44, pp. 519–521, Apr. 1985.
- [103] C. Koc and T. Acar, “Montgomery Multiplication in  $GF(2^k)$ ”, *Designs, Codes and Cryptography*, vol. 14, pp. 57–69, Apr. 1998.
- [104] H. Wu, “Montgomery Multiplier and Squarer for a Class of Finite Fields”, *IEEE Transactions On Computers*, vol. 51, May 2002.
- [105] M. Knežević, K. Sakiyama, J. Fan, and I. Verbauwhede, “Modular Reduction in  $GF(2^n)$  Without Pre-Computational Phase”, in *Proceedings of the International Workshop on Arithmetic of Finite Fields*, pp. 77–87, 2008.
- [106] Alfred J Menezes, Ian F Blake, XuHong Gao, Ronald C Mullin, Scott A Vanstone, and Tomik Yaghoobian, *Applications of finite fields*, vol. 199, Springer Science & Business Media, 2013.

- [107] S. Gao, *Normal Basis over Finite Fields*, PhD thesis, University of Waterloo, 1993.
- [108] Ronald C Mullin, Ivan M Onyszchuk, Scott A Vanstone, and Richard M Wilson, “Optimal normal bases in  $GF(p^n)$ ”, *Discrete Applied Mathematics*, vol. 22, pp. 149–161, 1989.
- [109] Jimmy K Omura and James L Massey, “Computational method and apparatus for finite field arithmetic”, May 6 1986, US Patent 4,587,627.
- [110] Gordon B. Agnew, Ronald C. Mullin, IM Onyszchuk, and Scott A. Vanstone, “An implementation for a fast public-key cryptosystem”, *Journal of CRYPTOLOGY*, vol. 3, pp. 63–79, 1991.
- [111] Arash Reyhani-Masoleh and M Anwar Hasan, “Low complexity word-level sequential normal basis multipliers”, *Computers, IEEE Transactions on*, vol. 54, pp. 98–110, 2005.
- [112] Alper Halbutogullari and Çetin K Koç, “Mastrovito multiplier for general irreducible polynomials”, *IEEE Transactions on Computers*, vol. 49, pp. 503–518, 2000.
- [113] D. Cox, J. Little, and D. O’Shea, *Ideals, Varieties, and Algorithms: An Introduction to Computational Algebraic Geometry and Commutative Algebra*, Springer, 2007.
- [114] B. Buchberger, *Ein Algorithmus zum Auffinden der Basiselemente des Restklassenringes nach einem nulldimensionalen Polynomideal*, PhD thesis, University of Innsbruck, 1965.
- [115] S. Gao, “Counting Zeros over Finite Fields with Gröbner Bases”, Master’s thesis, Carnegie Mellon University, 2009.
- [116] David Hilbert, “Über die Theorie der algebraischen Formen”, *Math. Annalen*, vol. 36, pp. 473–534, 1890.
- [117] Charles E Leiserson and James B Saxe, “Retiming synchronous circuitry”, *Algorithmica*, vol. 6, pp. 5–35, 1991.
- [118] J-Y Jou and K-T Cheng, “Timing-driven partial scan”, in *Computer-Aided Design, 1991. ICCAD-91. Digest of Technical Papers., 1991 IEEE International Conference on*, pp. 404–407. IEEE, 1991.
- [119] Anmol Mathur and Qi Wang, “Power reduction techniques and flows at RTL and system level”, in *2009 22nd International Conference on VLSI Design*, pp. 28–29. IEEE, 2009.
- [120] Jitesh Shinde and SS Salankar, “Clock gating – a power optimizing technique for VLSI circuits”, in *2011 Annual IEEE India Conference*, pp. 1–4. IEEE, 2011.
- [121] Hyunwoo Cho, Gary D Hachtel, and Fabio Somenzi, “Redundancy identification/removal and test generation for sequential circuits using implicit state enumeration”, *IEEE Transactions on Computer-Aided Design of Integrated Circuits and Systems*, vol. 12, pp. 935–945, 1993.
- [122] Alex Wee, “Difference between iphone 7 and iphone 6s in a nutshell”, *Image*, 2016.
- [123] Darrel Hankerson, Julio Hernandez, and Alfred Menezes, “Software Implementation of Elliptic Curve Cryptography over Binary Fields”, in CetinK. Koc and Christof Paar, editors, *Cryptographic Hardware and Embedded Systems CHES 2000*, vol. 1965 of *Lecture Notes in Computer Science*, pp. 1–24. Springer Berlin Heidelberg, 2000.



- [124] W. Decker, G.-M. Greuel, G. Pfister, and H. Schönemann, “SINGULAR 3-1-3 — A computer algebra system for polynomial computations”, 2011, <http://www.singular.uni-kl.de>.
- [125] UC Berkeley, “Berkeley logic interchange format (BLIF)”, *Oct Tools Distribution*, vol. 2, pp. 197–247, 1992.
- [126] Robert Brayton and Alan Mishchenko, “ABC: An academic industrial-strength verification tool”, in *Computer Aided Verification*, pp. 24–40. Springer, 2010.
- [127] Ellen M Sentovich, Kanwar Jit Singh, Luciano Lavagno, Cho Moon, Rajeev Murgai, Alexander Saldanha, Hamid Savoj, Paul R Stephan, Robert K Brayton, and Alberto Sangiovanni-Vincentelli, “SIS: A system for sequential circuit synthesis”, 1992.
- [128] Robert K Brayton, Gary D Hachtel, Alberto Sangiovanni-Vincentelli, Fabio Somenzi, Adnan Aziz, Szu-Tsung Cheng, Stephen Edwards, Sunil Khatri, Yuji Kukimoto, Abelardo Pardo, Shaz Qadeer, Rajeev K Ranjan, Shaker Sarwary, Thomas R Shiple, Gitanjali Swamy, and Tiziano Villa, “VIS: A system for verification and synthesis”, in *Computer Aided Verification*, pp. 428–432. Springer, 1996.
- [129] Tim Pruss, Priyank Kalla, and Florian Enescu, “Equivalence verification of large Galois field arithmetic circuits using word-level abstraction via Gröbner bases”, in *Proceedings of the The 51st Annual Design Automation Conference on Design Automation Conference*, pp. 1–6. ACM, 2014.
- [130] Armin Biere, “Lingeling, plingeling and treengeling entering the SAT competition 2013”, *Proceedings of SAT Competition 2013; Solver and*, p. 51, 2013.
- [131] R. Brayton and A. Mishchenko, “ABC: An Academic Industrial-Strength Verification Tool”, in *Computer Aided Verification*, vol. 6174, pp. 24–40. Springer, 2010.
- [132] Ana Petkovska, David Novo, Alan Mishchenko, and Paolo Ienne, “Constrained interpolation for guided logic synthesis”, in *2014 IEEE/ACM International Conference on Computer-Aided Design (ICCAD)*, pp. 462–469. IEEE, 2014.
- [133] Joao Marques-Silva and Ines Lynce, “On improving MUS extraction algorithms”, in *International Conference on Theory and Applications of Satisfiability Testing*, pp. 159–173. Springer, 2011.
- [134] Anton Belov and Joao Marques-Silva, “Accelerating MUS extraction with recursive model rotation”, in *Formal Methods in Computer-Aided Design (FMCAD), 2011*, pp. 37–40. IEEE, 2011.
- [135] Alessandro Cimatti, Alberto Griggio, and Roberto Sebastiani, “A simple and flexible way of computing small unsatisfiable cores in SAT modulo theories”, in *International Conference on Theory and Applications of Satisfiability Testing*, pp. 334–339. Springer, 2007.
- [136] Matthew Clegg, Jeffery Edmonds, and Russell Impagliazzo, “Using the Groebner basis algorithm to find proofs of unsatisfiability”, in *Proceedings of the twenty-eighth annual ACM symposium on Theory of computing*, pp. 174–183. ACM, 1996.
- [137] Evgeny Pavlenko, Markus Wedler, Dominik Stoffel, Wolfgang Kunz, Alexander Dreyer, Frank Seelisch, and G Greuel, “Stable: A new QF-BV SMT solver for hard verification problems combining Boolean reasoning with computer algebra”, in *Design, Automation & Test in Europe Conference & Exhibition (DATE), 2011*, pp. 1–6. IEEE, 2011.

- [138] Michael Brickenstein and Alexander Dreyer, “PolyBoRi: A framework for Gröbner-basis computations with Boolean polynomials”, *Journal of Symbolic Computation*, vol. 44, pp. 1326–1345, 2009.
- [139] Christopher Condrat and Priyank Kalla, “A Gröbner basis approach to CNF-formulae preprocessing”, in *Tools and Algorithms for the Construction and Analysis of Systems*, pp. 618–631. Springer, 2007.
- [140] Christoph Zengler and Wolfgang Küchlin, “Extending clause learning of SAT solvers with Boolean Gröbner bases”, in *Computer Algebra in Scientific Computing*, pp. 293–302. Springer, 2010.
- [141] Chu Min Li and Felip Manyà, “MaxSAT, hard and soft constraints”, *Handbook of satisfiability*, vol. 185, pp. 613–631, 2009.
- [142] Ruei-Rung Lee, Jie-Hong R Jiang, and Wei-Lun Hung, “Bi-decomposing large boolean functions via interpolation and satisfiability solving”, in *Design Automation Conference, 2008. DAC 2008. 45th ACM/IEEE*, pp. 636–641. IEEE, 2008.
- [143] Hadrien Cambazard and Barry O’Sullivan, “Reformulating table constraints using functional dependencies – An application to explanation generation”, *Constraints*, vol. 13, pp. 385–406, 2008.
- [144] Priyank Kalla, “Formal verification of arithmetic datapaths using algebraic geometry and symbolic computation”, in *Proceedings of the 15th Conference on Formal Methods in Computer-Aided Design*, pp. 2–2. FMCAD Inc, 2015.
- [145] J-C. Faugère, “A New Efficient Algorithm for Computing Gröbner Bases ( $F_4$ )”, *Journal of Pure and Applied Algebra*, vol. 139, pp. 61–88, June 1999.
- [146] William Craig, “Linear reasoning: A new form of the Herbrand-Gentzen theorem”, *The Journal of Symbolic Logic*, vol. 22, pp. 250–268, 1957.
- [147] Pavel Pudlák, “Lower bounds for resolution and cutting plane proofs and monotone computations”, *The Journal of Symbolic Logic*, vol. 62, pp. 981–998, 1997.
- [148] Sriram Sankaranarayanan, Henny B Sipma, and Zohar Manna, “Non-linear loop invariant generation using Gröbner bases”, *ACM SIGPLAN Notices*, vol. 39, pp. 318–329, 2004.
- [149] Michael Rosing, *Implementing elliptic curve cryptography*, Manning Publications Co., 1999.
- [150] IEEE Working Group, “IEEE 1363-2000: Standard specifications for public key cryptography”, *IEEE Standard, IEEE, New York, NY*, vol. 10017, 2000.